

## BShoe Storage Installation

### Tools You May Need:



Adjustable Wrench



Hexagon Wrench



Philips Screwdriver

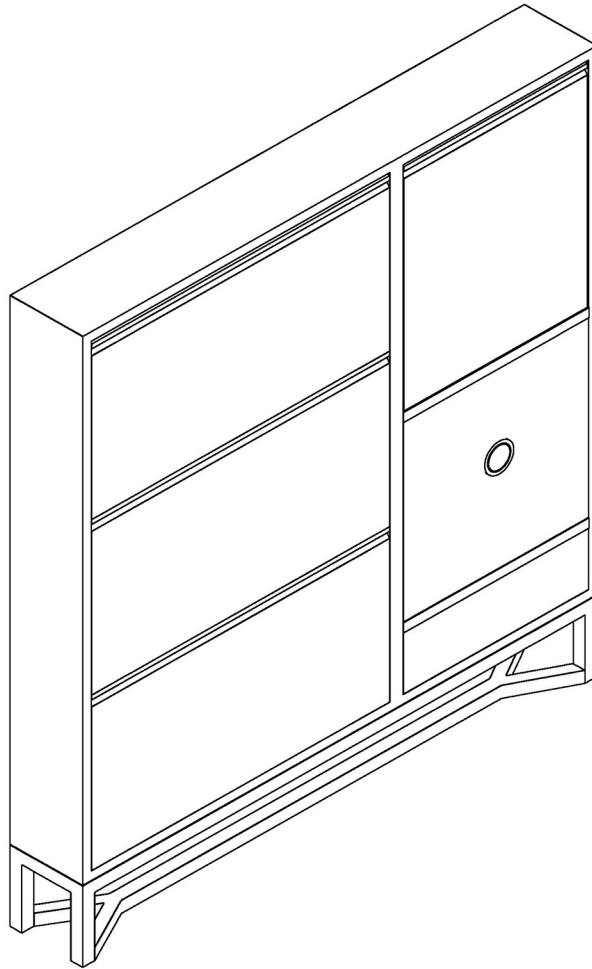
### Before the Installation

1. Do not throw away packing materials until assembly is complete for small parts may come loose inside the carton during shipment. If parts are missing, please contact us.
2. Assemble this item on a soft surface, such as carpet to protect the finish.
3. Proper assembly of this item requires 2 people.
4. Periodically check to ensure that all connections are tight.
5. It is recommended that installation of the product be done by a qualified licensed furniture assembler.

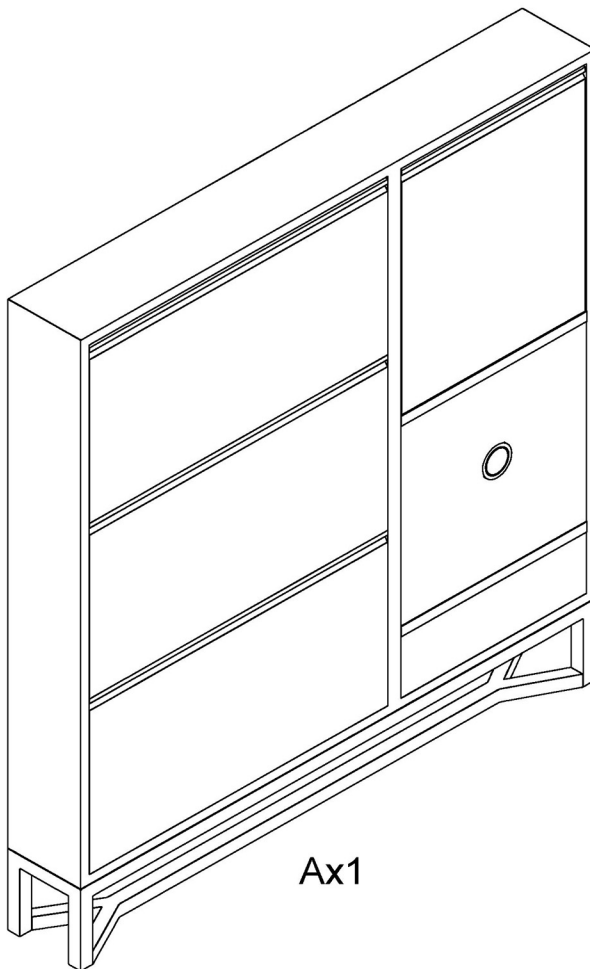
### Care and Cleaning

1. To protect the finish, avoid use chemicals and household cleaners.
2. All hot serving dishes should be placed on a pad.
3. Any liquid spilled onto the top should be cleaned up immediately with a damp cloth.

# Parts List



— A



Ax1



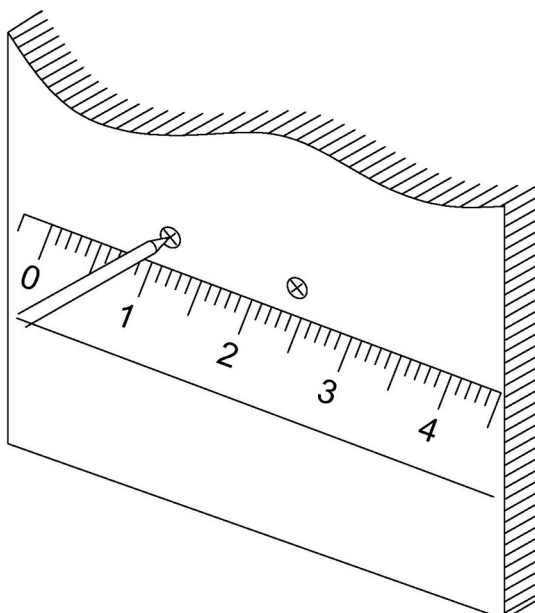
screw\*2



Colloidal  
particles\*2

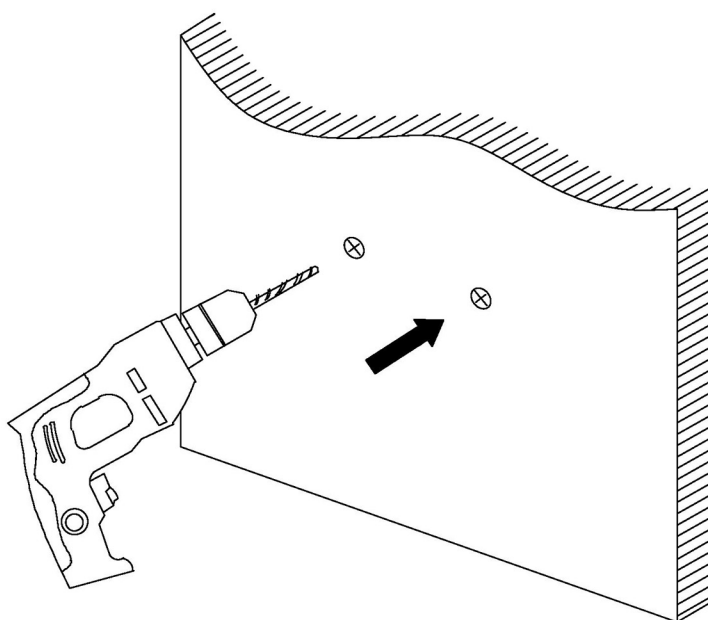


nail-free  
adhesive  
sticher\*2

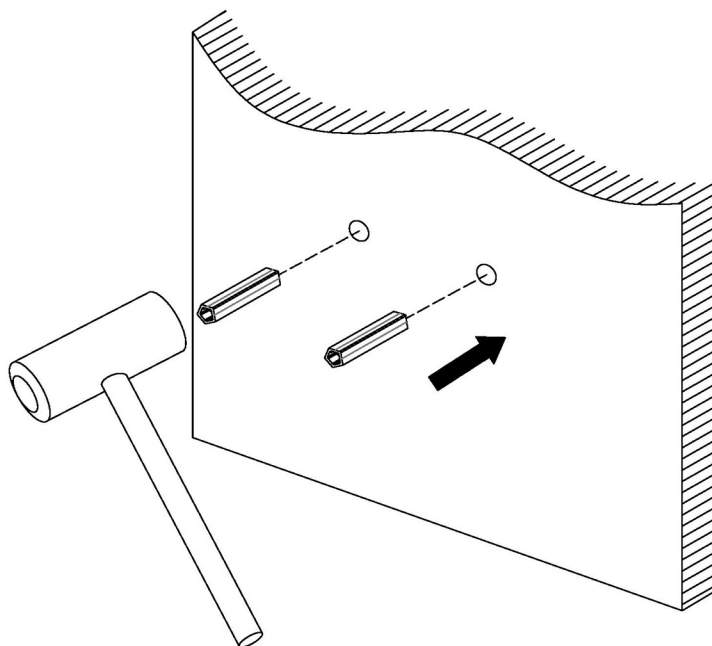


Step 1: Select the location of the wall space to be installed. Measure the distance of the product hook with a ruler, measure the same distance on the wall (if the product has only one hanging hole, you can skip this step), and mark the hole position on the wall with a pen.

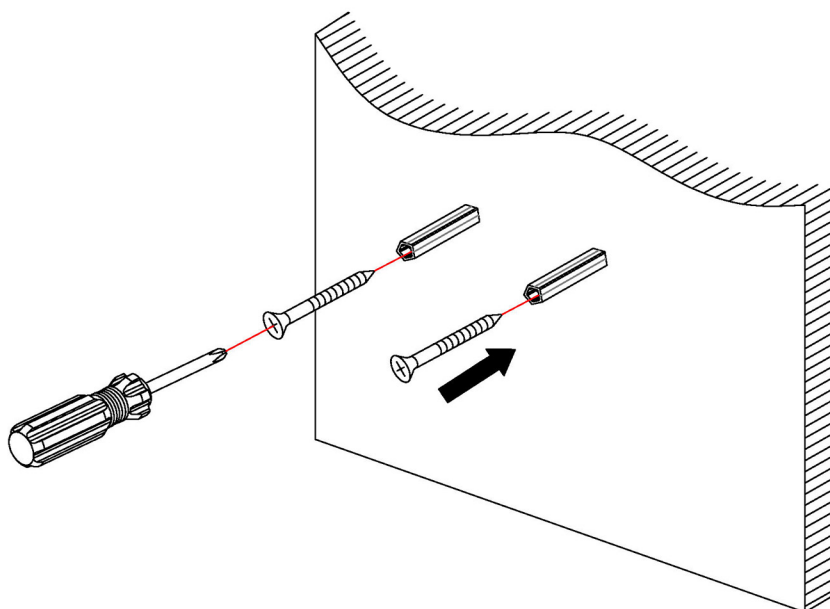
## Step 2



Step 2: Punch holes at the marked positions with an electric drill, the depth of which is the length of the expanded rubber cap.



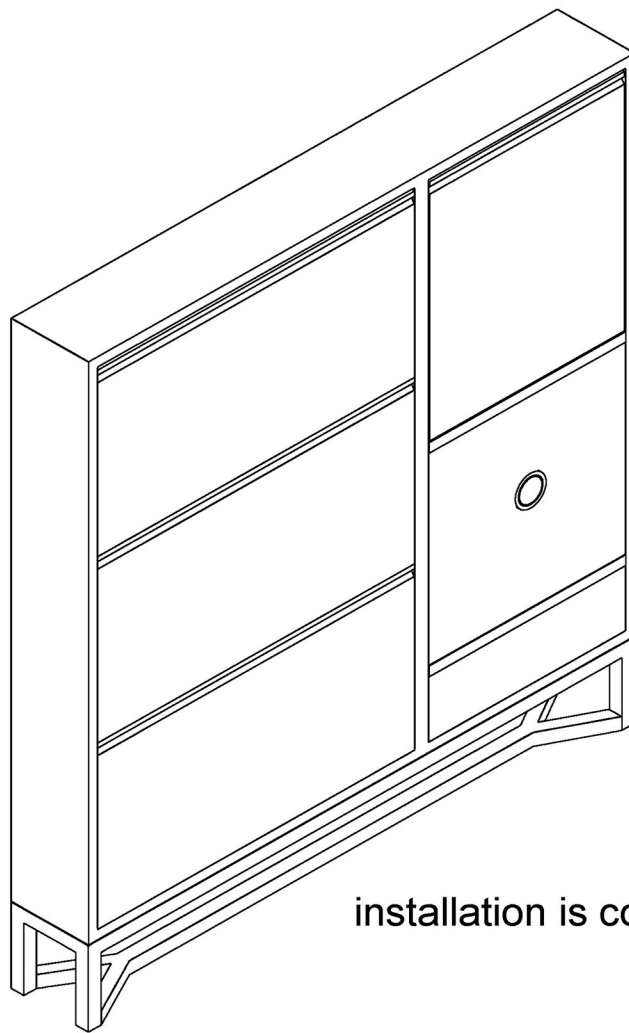
Step 3: Plug the expansion rubber cap into the hole.



Step 4: screw in the cabinet

## Step 5

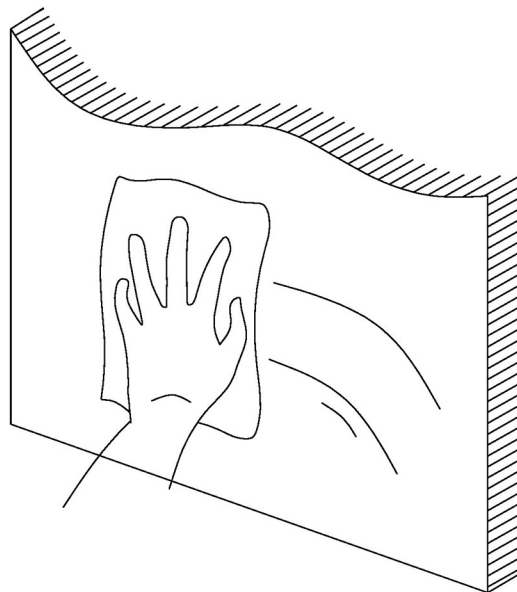
P.5/6



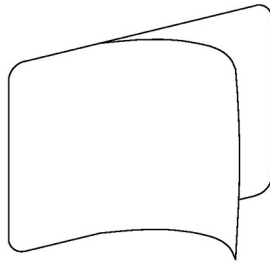
installation is complete

## Step 6

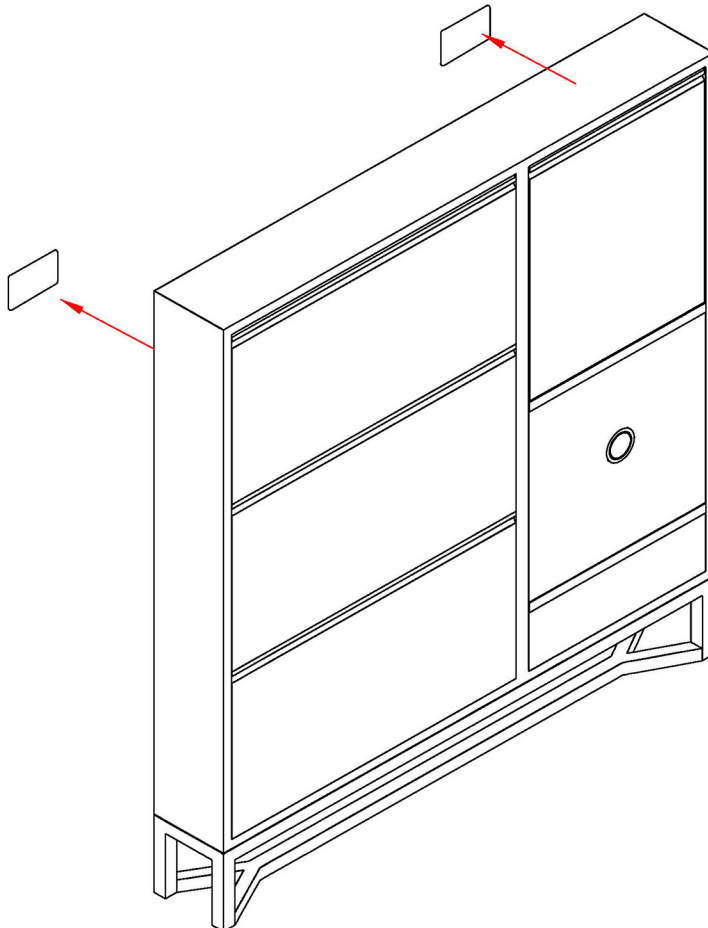
Punch-free installation



Clean the wall



Tear off nail-free adhesive sticker



Install the nail-free adhesive to the hanging hole of the shoe cabinet and tighten the screws