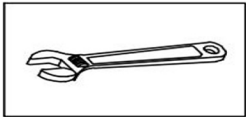
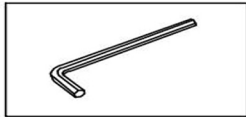


Shoe Storage Installation 59837703475

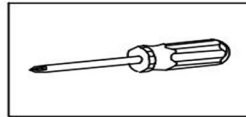
Tools You Will Need: Tools You May Need



Adjustable wrench



Hexagon wrench



Philips Screwdriver

Before the Installation

1. Do not throw away packing materials until assembly is complete for small parts may come loose inside the carton during shipment. If parts are missing, please contact us.
2. Assemble this item on a soft surface, such as carpet to protect the finish.
3. Proper assembly of this item requires 2 people.
4. Periodically check to ensure that all connections are tight.
5. It is recommended that installation of the product be done by a qualified licensed furniture assembler.

Care and Cleaning

1. To protect the finish, avoid use chemicals and household cleaners.
2. All hot serving dishes should be placed on a pad.
3. Any liquid spilled onto the top should be cleaned up immediately with a damp cloth.






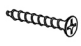

ANTI-TIP RESTRAINT INSTALLATION

! WARNING!

Serious or fatal crushing injuries can occur from furniture tip-over. To help prevent tip-over:

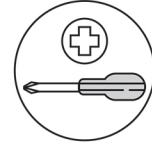
- Install tip-over restraint provided.
- Do not set heavy objects on top of this product, unless the product is specifically designed to accommodate them.
- Never allow children to climb or hang on mirrors, shelves, consoles, or cabinets with doors and/or drawers.

Use of tip-over restraints may only reduce but not eliminate, the risk of tip-over.

PARTS INVENTORY			
ID	DESCRIPTION		QTY
A	BRACKET		4
B	M6 X 20MM SCREW		4
C	M8 PLUG		4
D	M6 X 40MM SCREW		4
E	STRAP		2



REQUIRED TOOL
8MM / 5/16" DRILL BIT



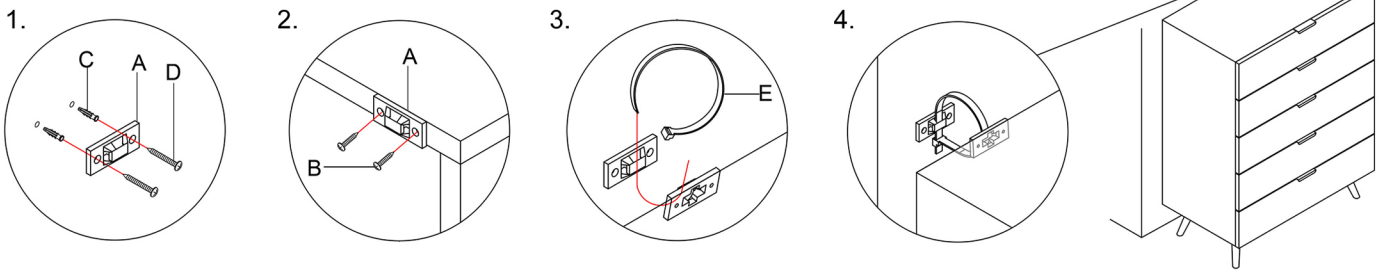
REQUIRED TOOL

! Hardware (C/D) to attach brackets to wall is designed for drywall. To attach this unit to another type of wall, consult with your local hardware store.

! **Note:** Please be careful during the installation of the anti-tip kit. Homary would not be responsible for the damage to the item(s) caused by any improper installation.

Choose proper installation option based on your product purchased.

Option 1 Installation Steps



• The image is for reference only and does not represent the product you purchased.

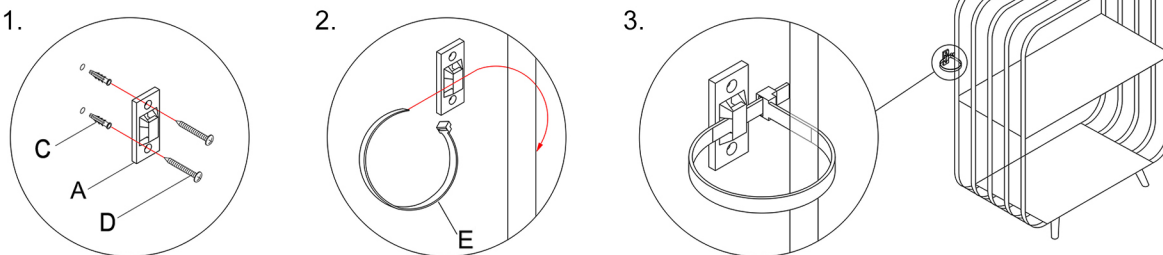
Step 1. Mark on the wall where the bracket (A) should be placed, then drill holes and insert the plugs (C) into the drilled holes. Install the bracket (A) to the wall with screws (D).

Step 2. Repeat to install another bracket (A) to the product.

Step 3. Insert the strap (E) through the two brackets (A), then connect and pull the strap (E) down until it snap-locked.

Step 4. Check the safety and begin to use.

Option 2 Installation Steps

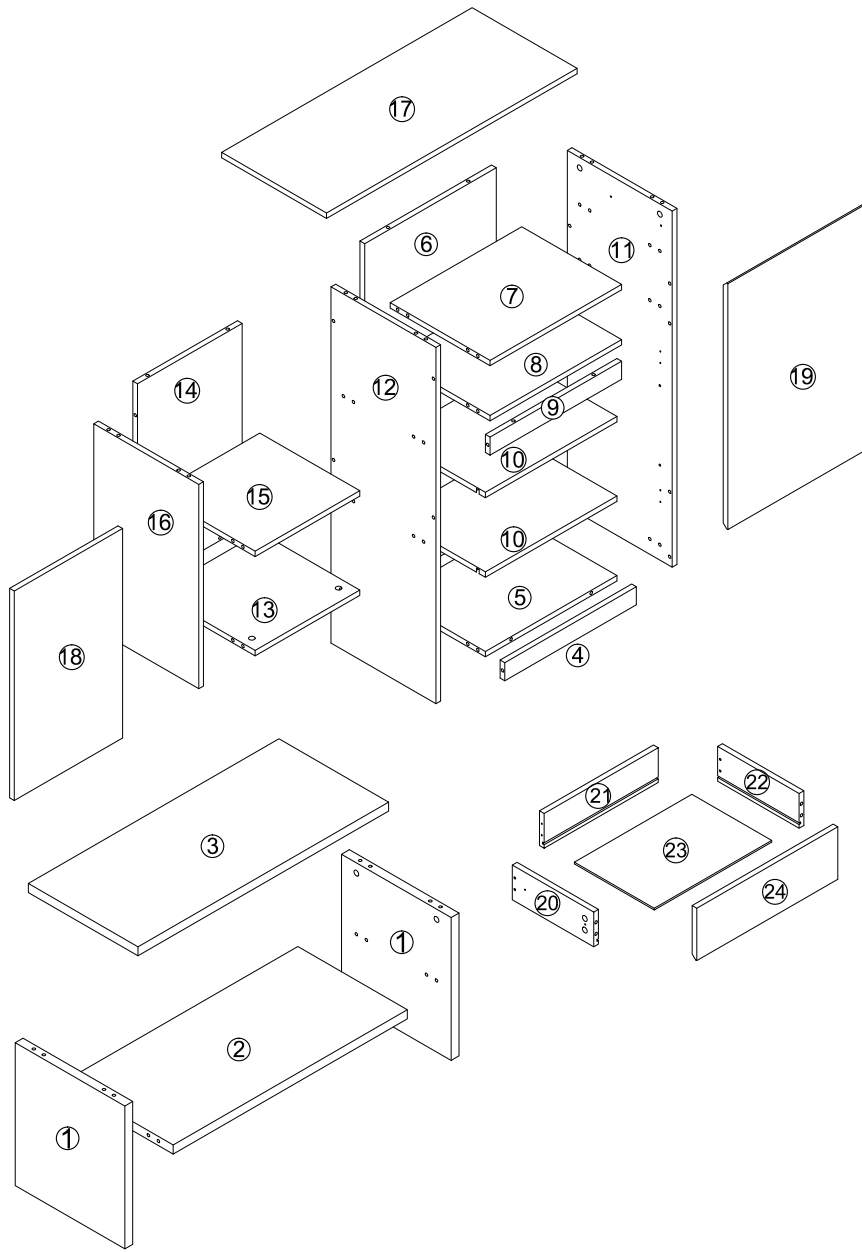


• The image is for reference only and does not represent the product you purchased.

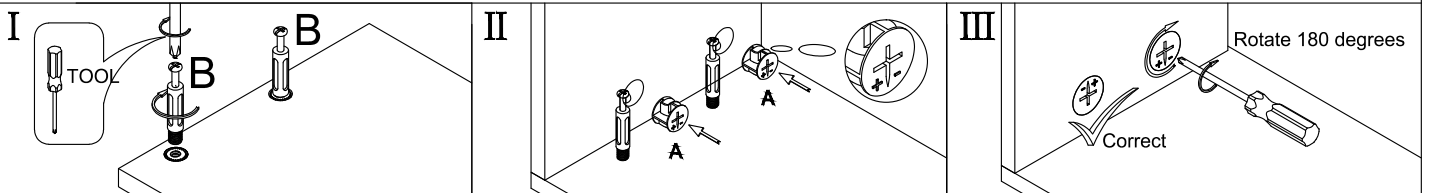
Step 1. Mark on the wall where the bracket (A) should be placed, then drill holes and insert the plugs (C) into the drilled holes. Install the bracket (A) to the wall with screws (D).










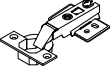

Step 2. Insert the strap (E) through the strap and product frame, then connect and pull the strap (E) down until it snap-locked.

Step 3. Check the safety and begin to use.

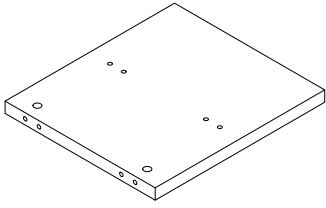


Disassembly and installation of accessories



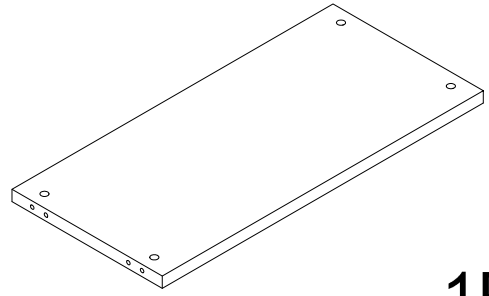
A 62PCS  Ø15*10mm	B 62PCS  Ø6*28mm	C 32PCS  Ø3.5*14mm	D 2PCS  10"	E 6PCS 	F 34PCS  Ø8*30mm	G G1  8PCS Ø20mm		G2  8PCS
H 4PCS  Ø3.5*40mm	I 4PCS 	J 1PC 						

1



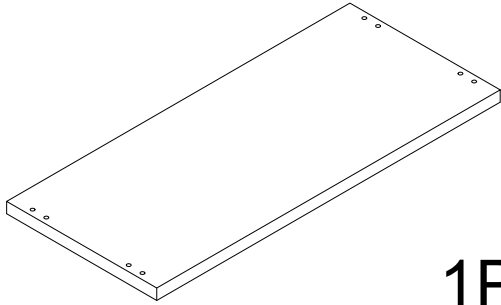
2PCS

2



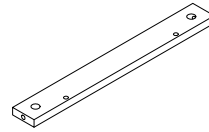
1PC

3



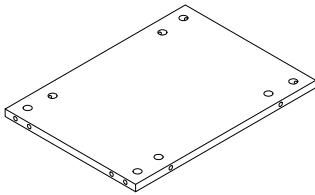
1PC

4



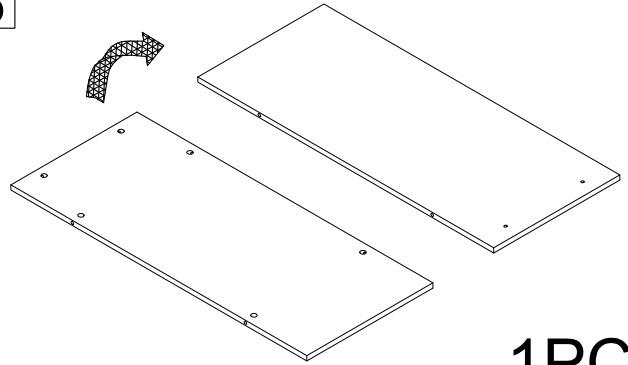
1PC

5



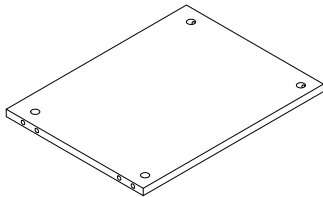
1PC

6



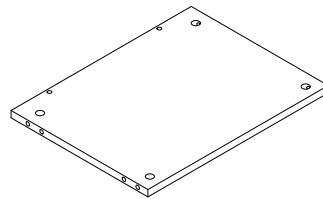
1PC

7



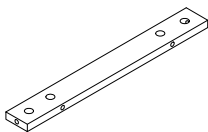
1PC

8



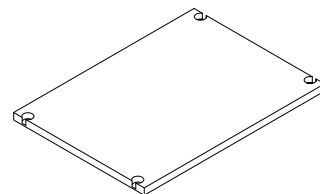
1PC

9

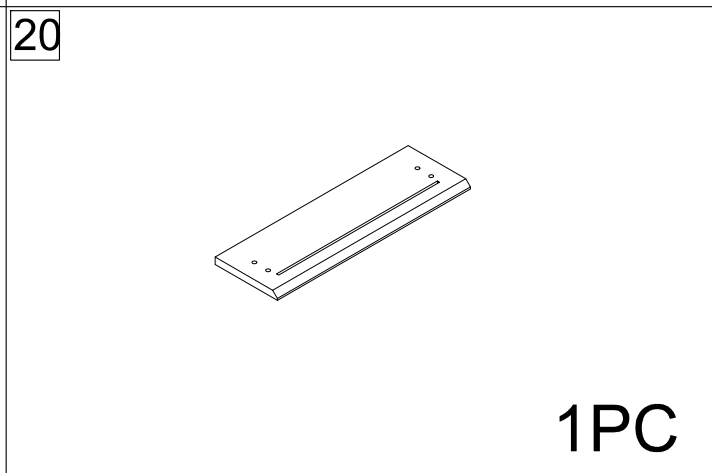
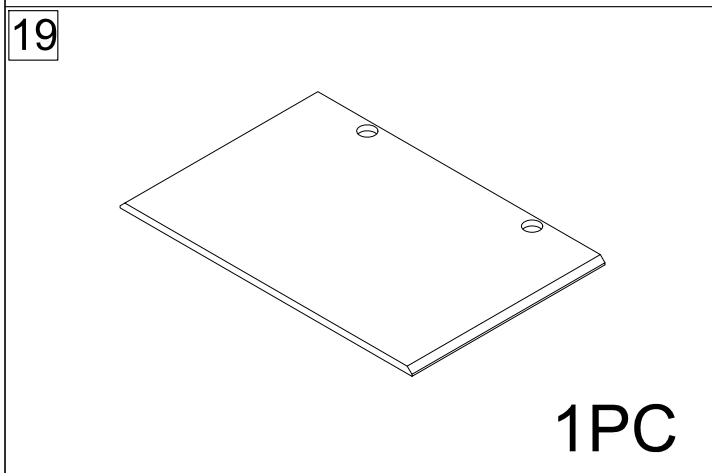
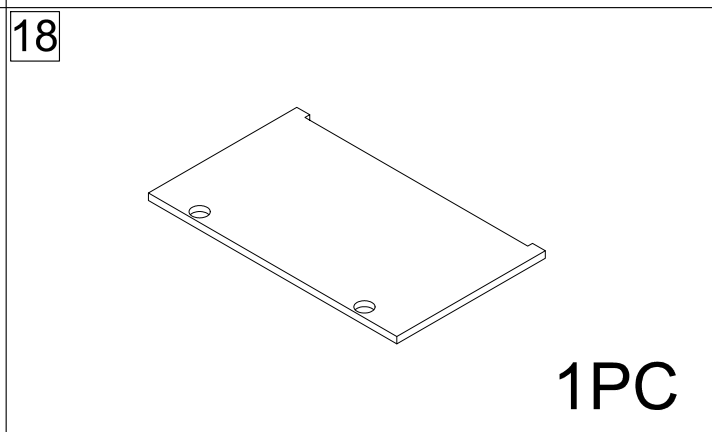
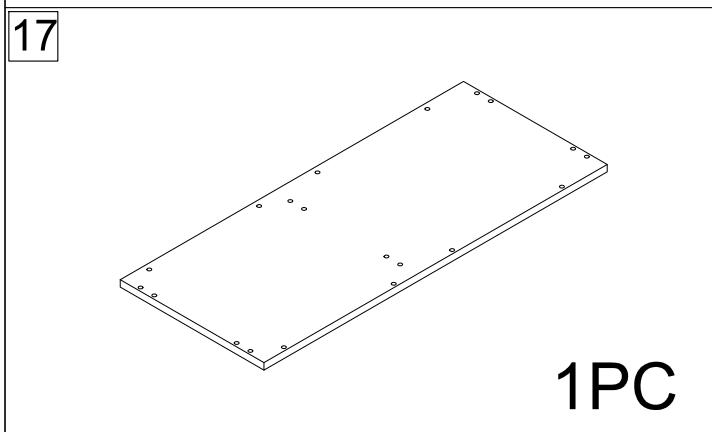
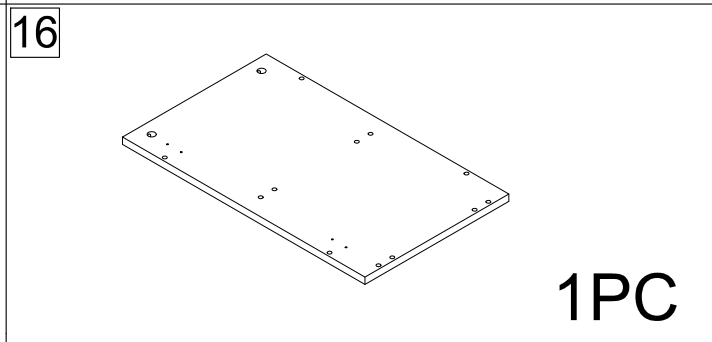
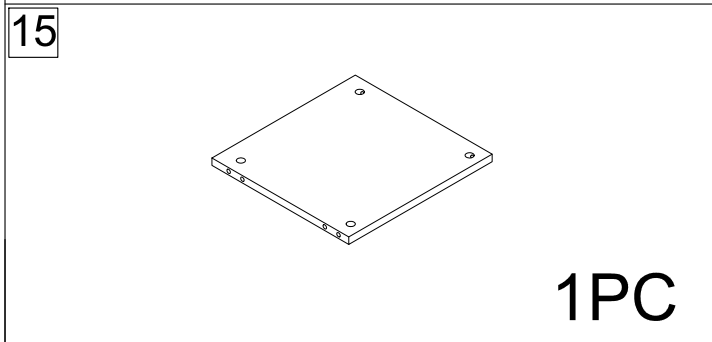
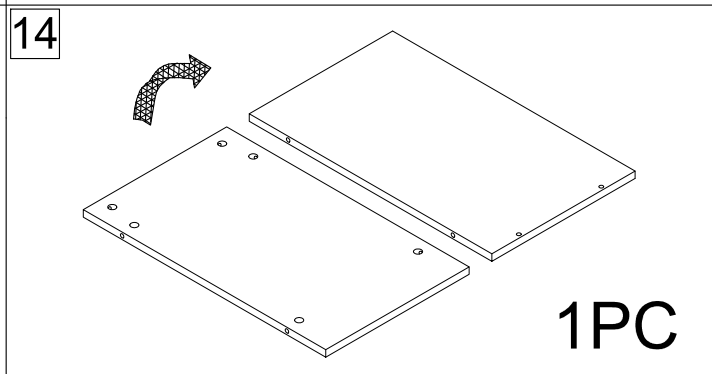
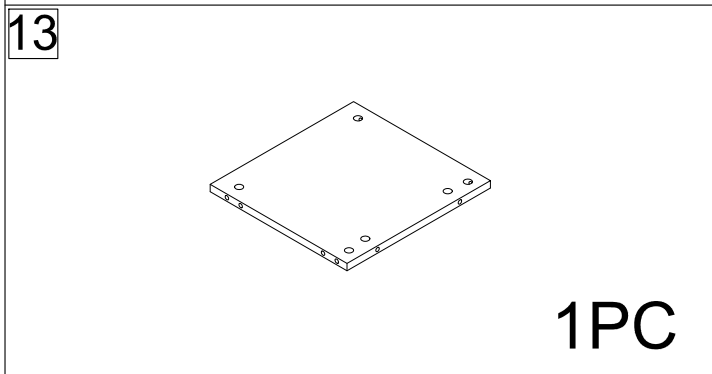
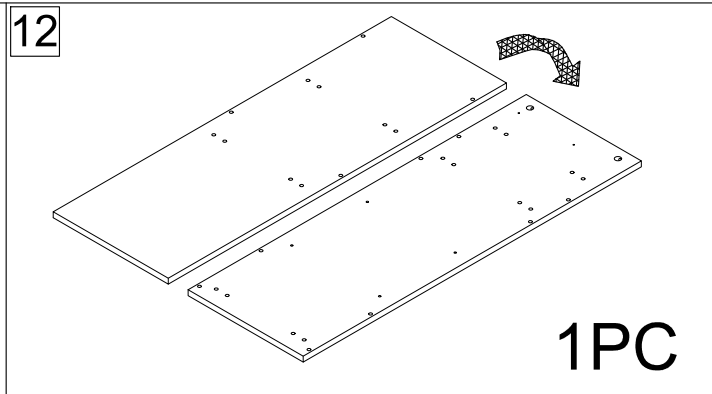
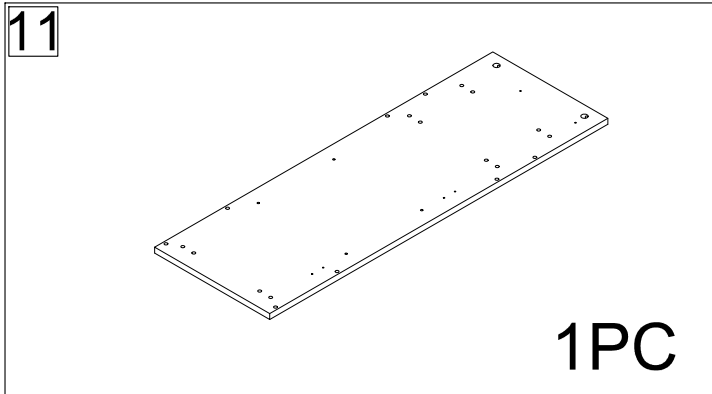


1PC

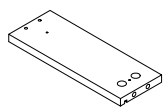
10



2PCS

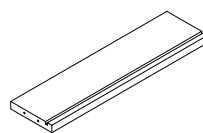


21



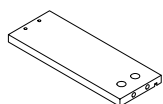
1PC

22



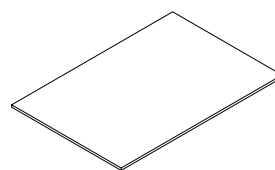
1PC

23



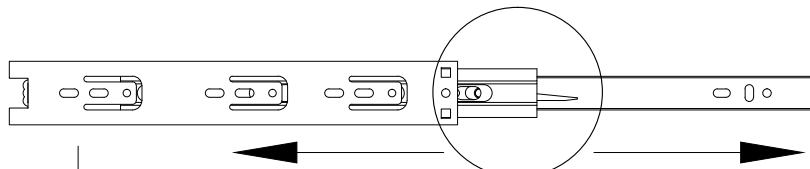
1PC

24



1PC

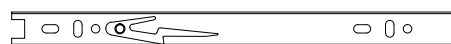
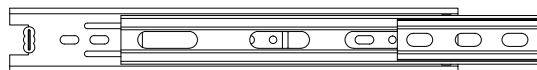
1



D1

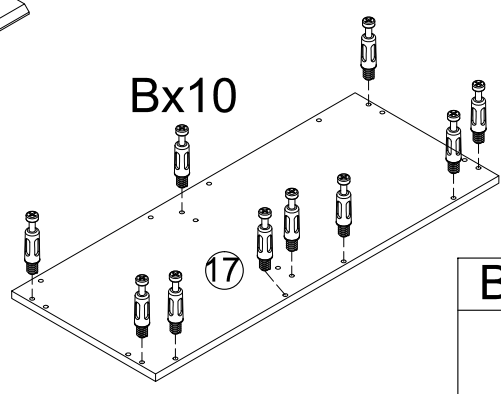
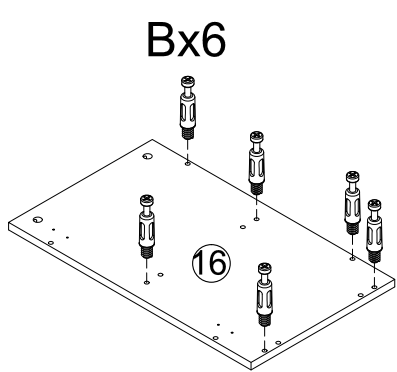
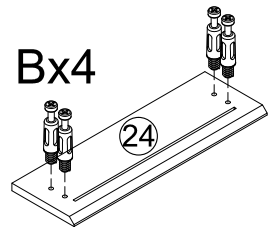
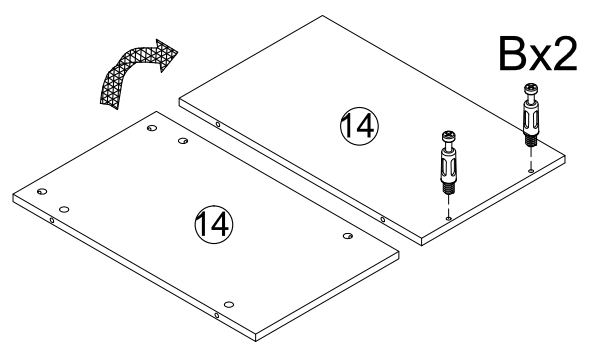
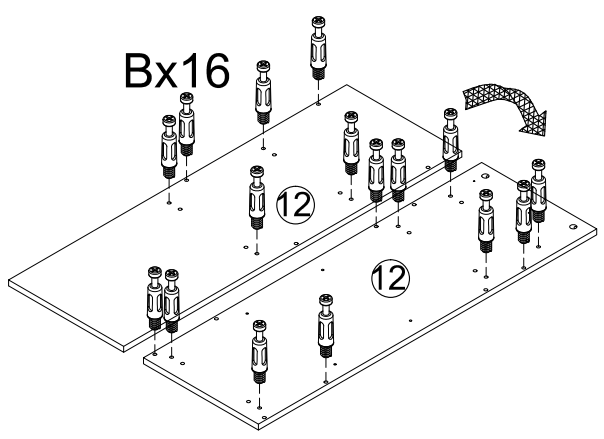
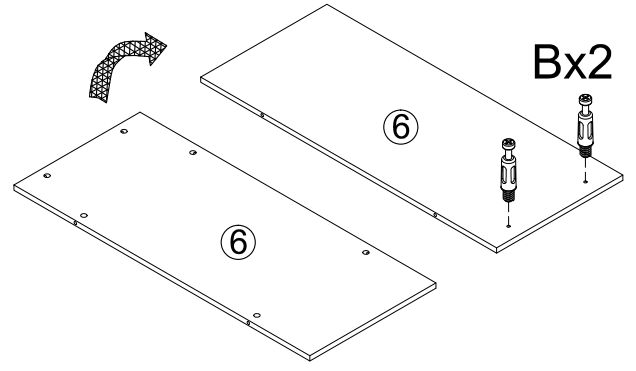
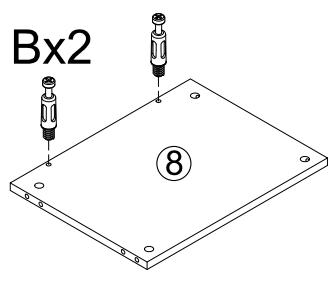
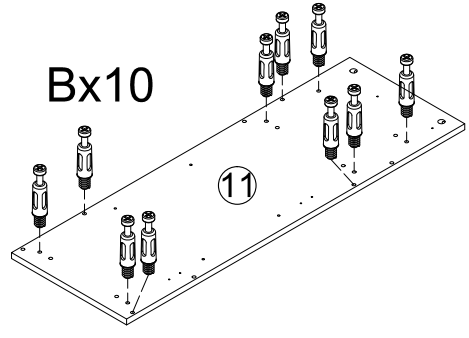
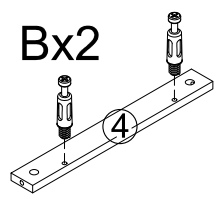
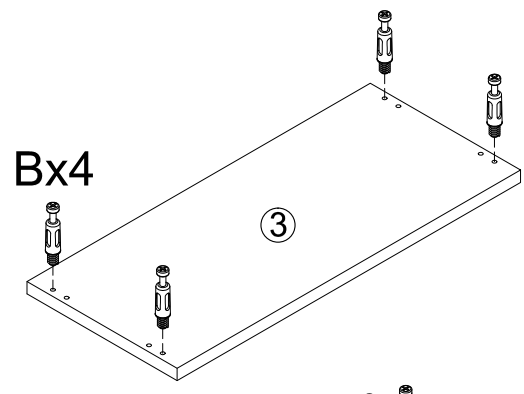
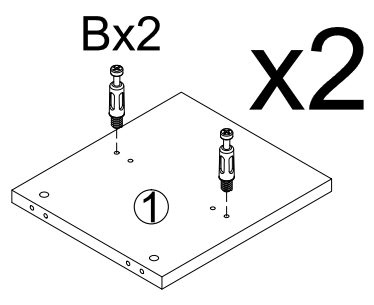



D2



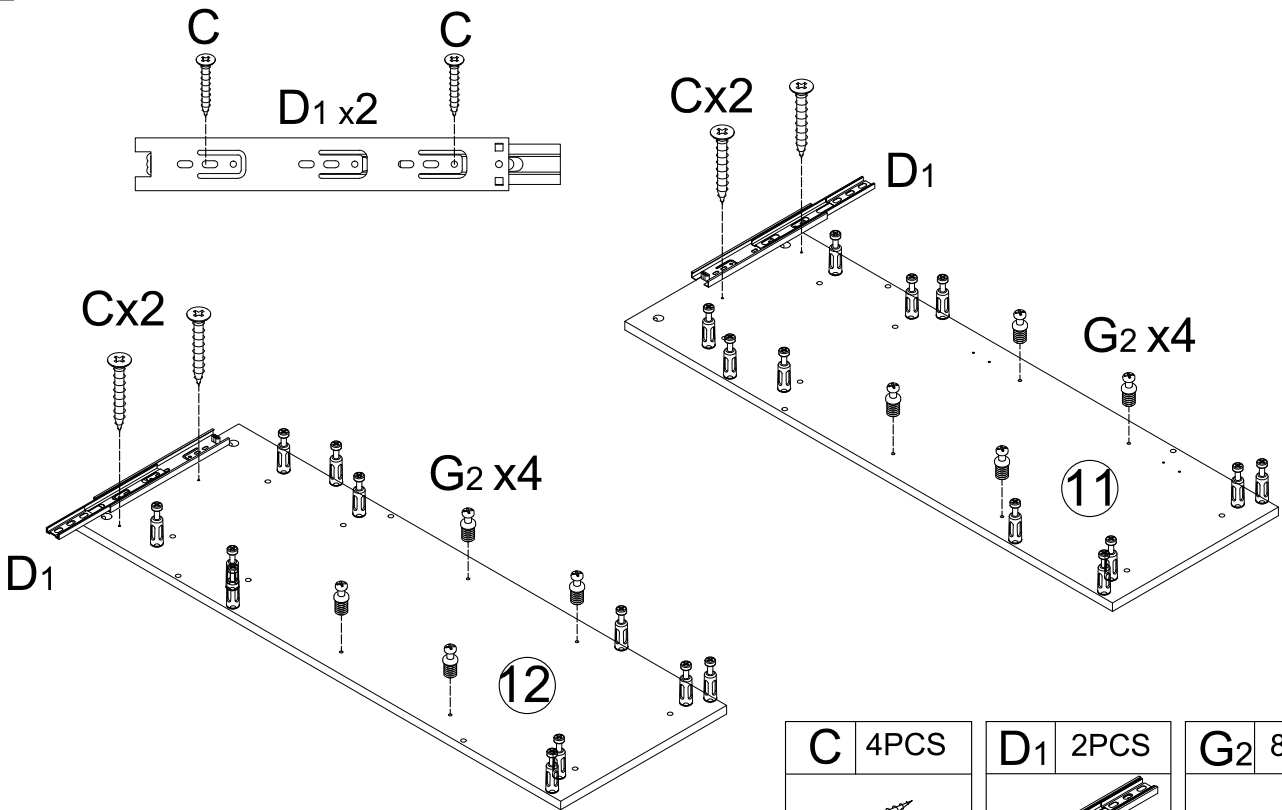
D	2PCS
10"	


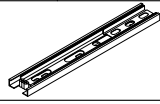

2



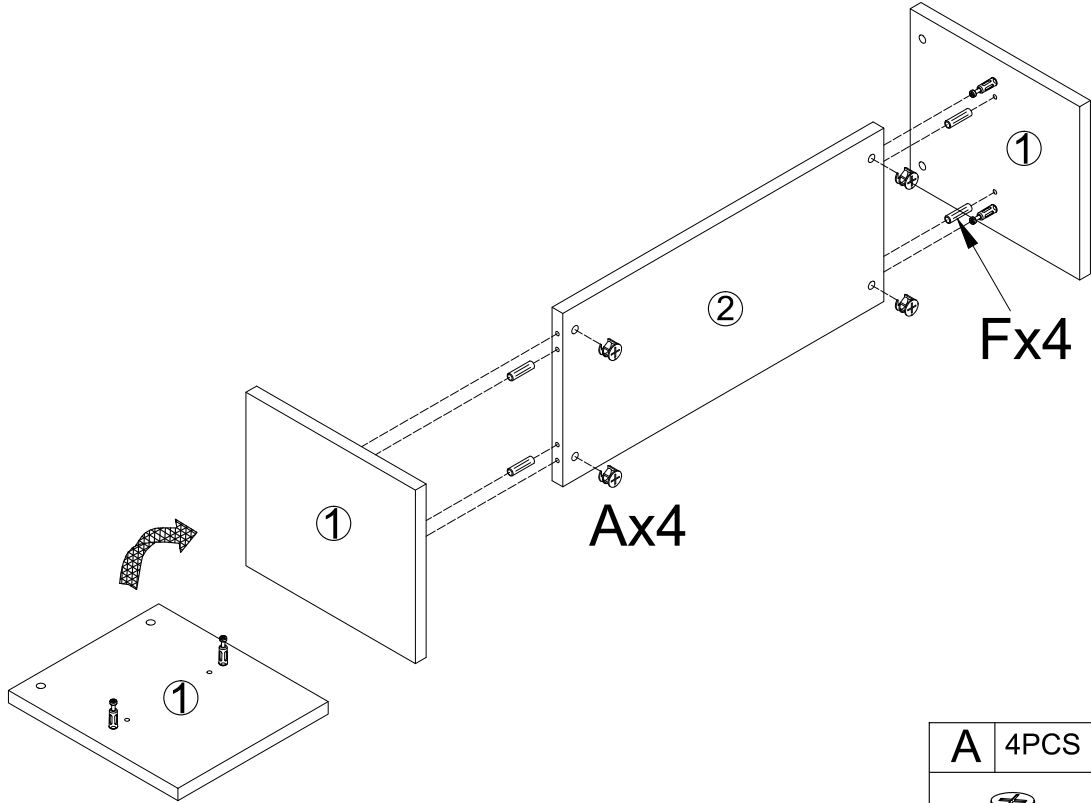
B	62PCS
	
$\phi 6 * 28\text{mm}$	


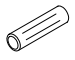
3



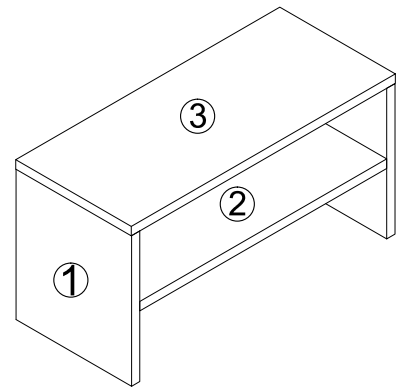
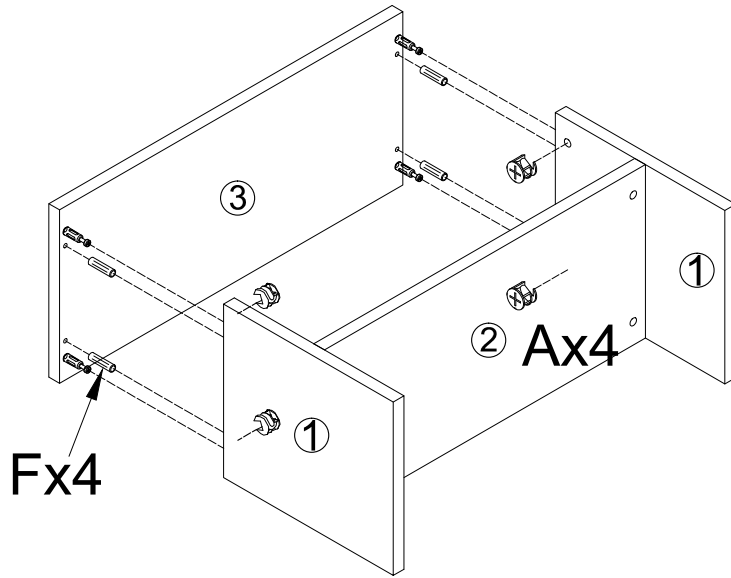
C 4PCS	D1 2PCS	G2 8PCS
		
Ø3.5*14mm	10"	


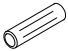
4



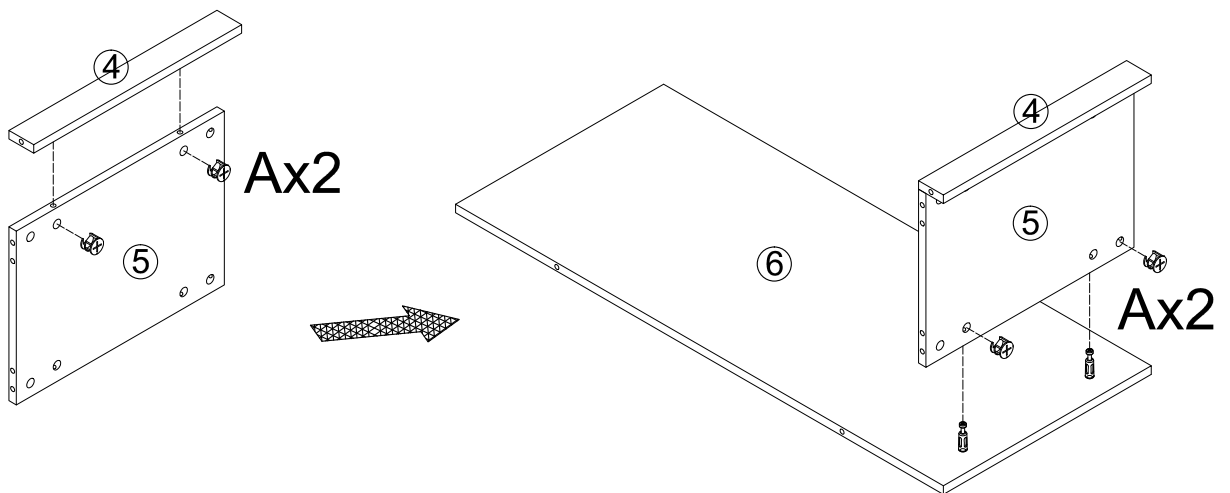
A 4PCS	F 4PCS
	
Ø15*10mm	Ø8*30mm


5



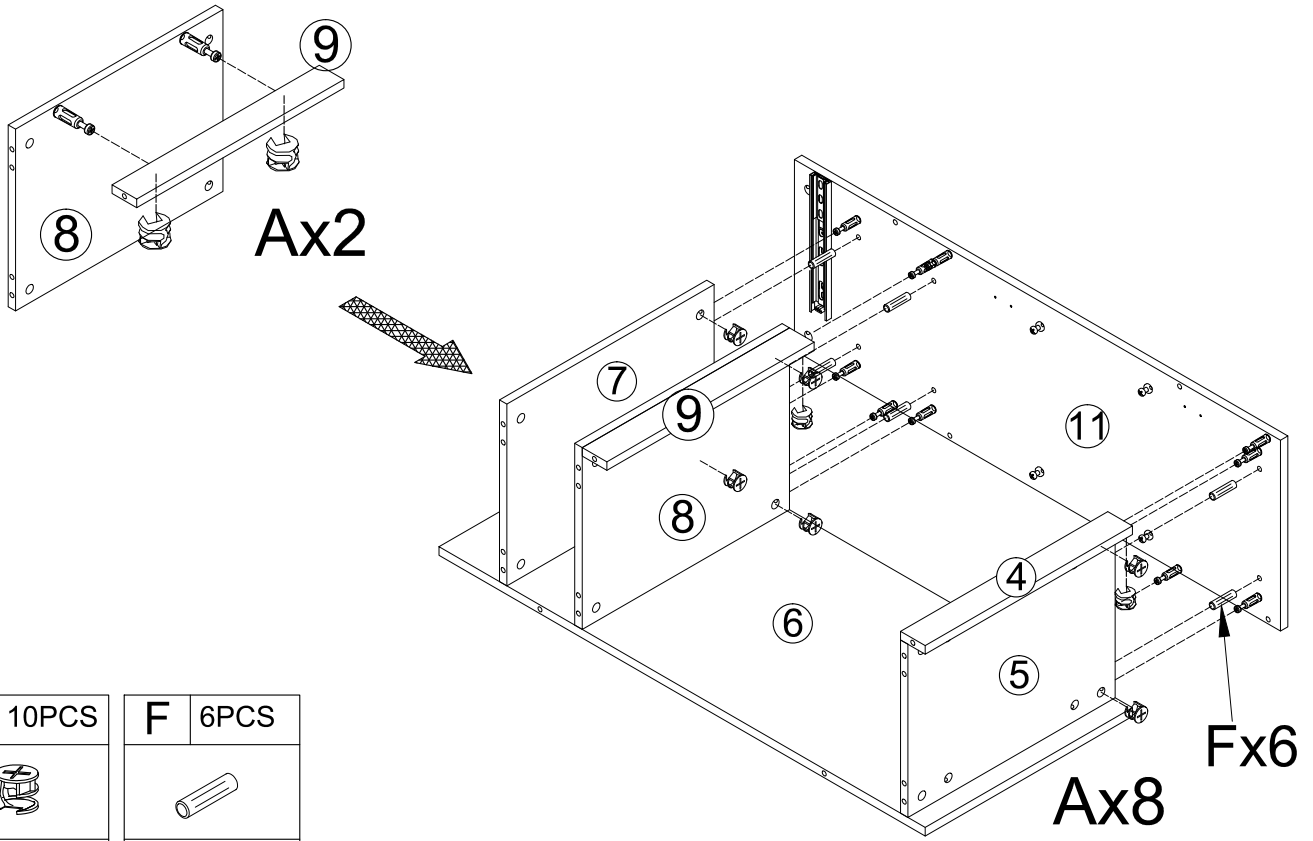
A	4PCS	F	4PCS
			
$\phi 15*10\text{mm}$		$\phi 8*30\text{mm}$	


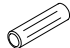
6



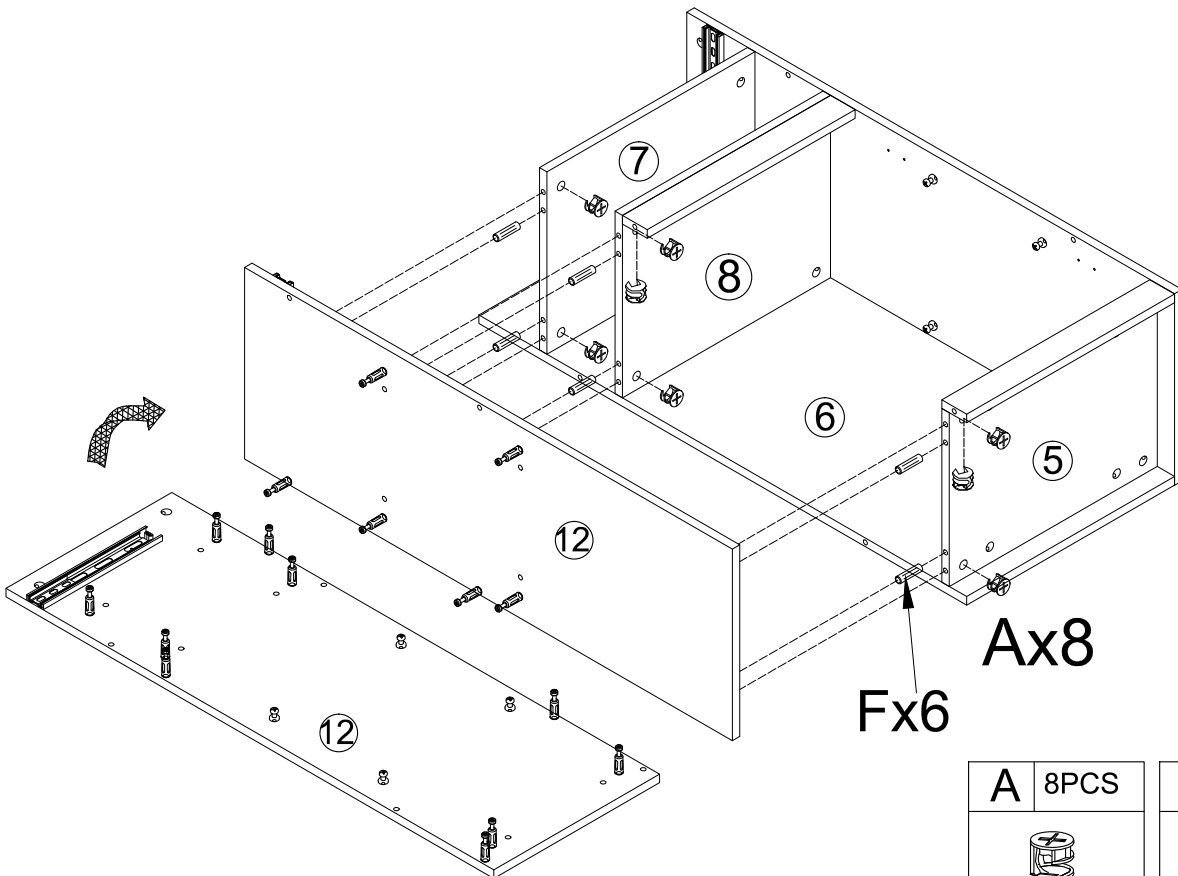
A	4PCS
	
$\phi 15*10\text{mm}$	


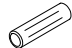
7



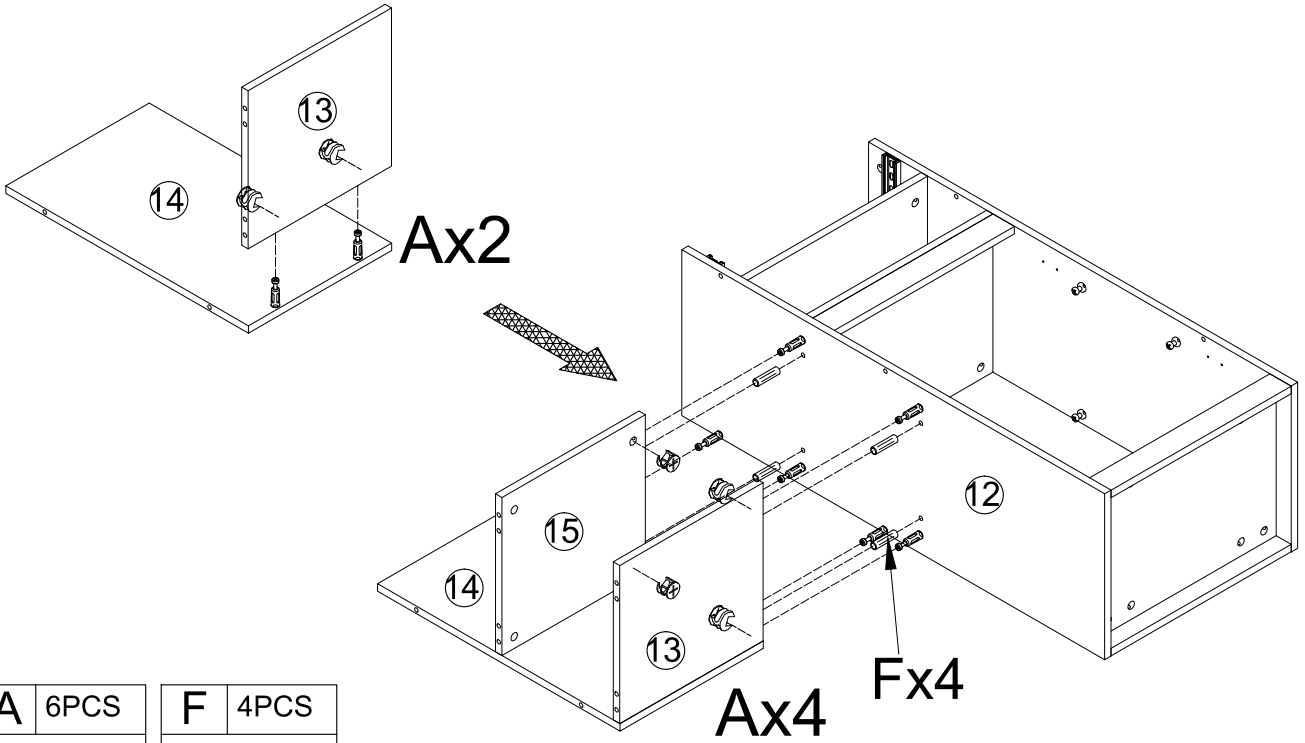
A	10PCS	F	6PCS
			
$\phi 15*10\text{mm}$		$\phi 8*30\text{mm}$	


8




A	8PCS	F	6PCS
			
$\phi 15*10\text{mm}$		$\phi 8*30\text{mm}$	

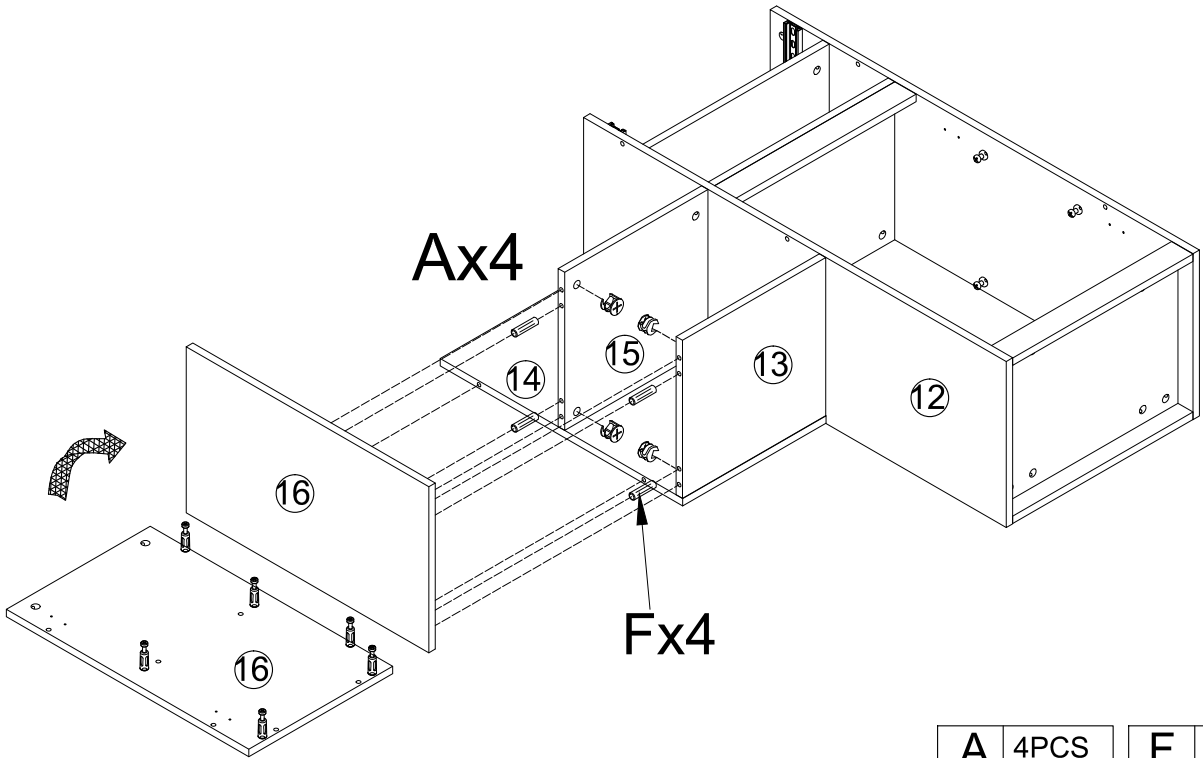
9





A	6PCS
	
φ15*10mm	

F	4PCS
	
φ8*30mm	

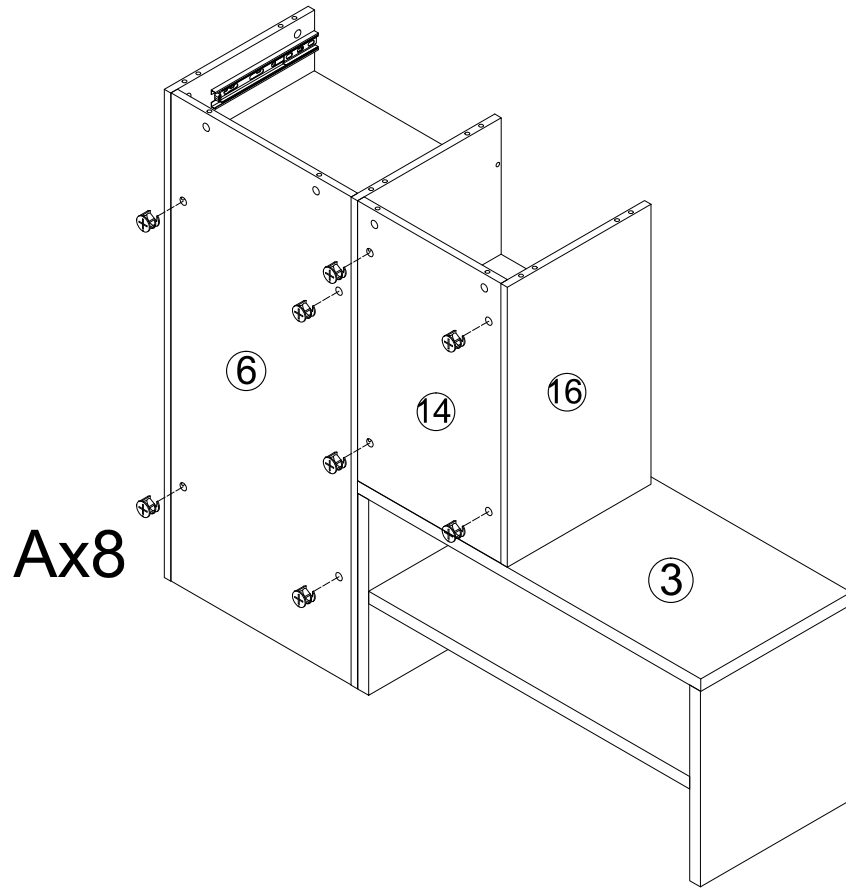
10




A	4PCS
	
φ15*10mm	

F	4PCS
	
φ8*30mm	

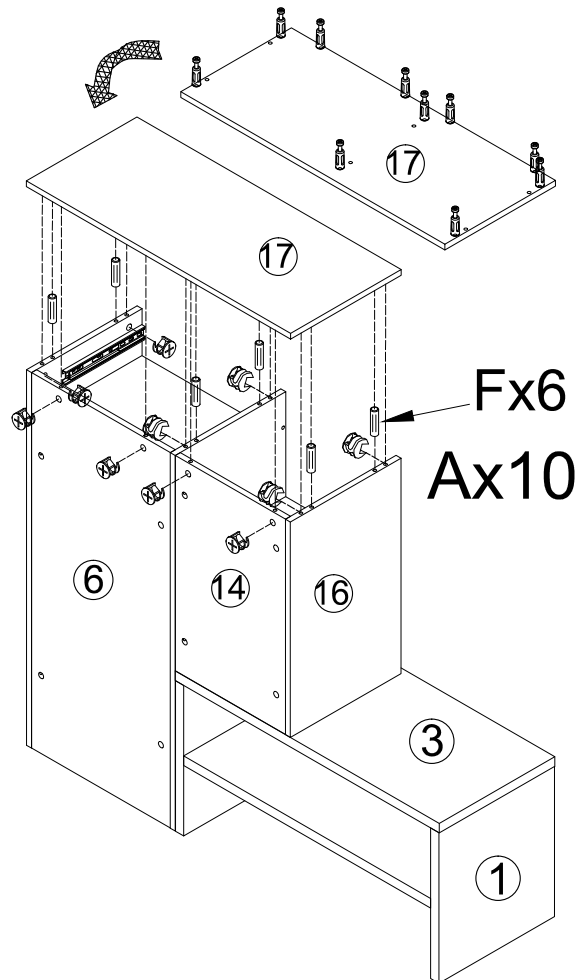
11




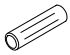
Ax8

A	8PCS
	
φ15*10mm	

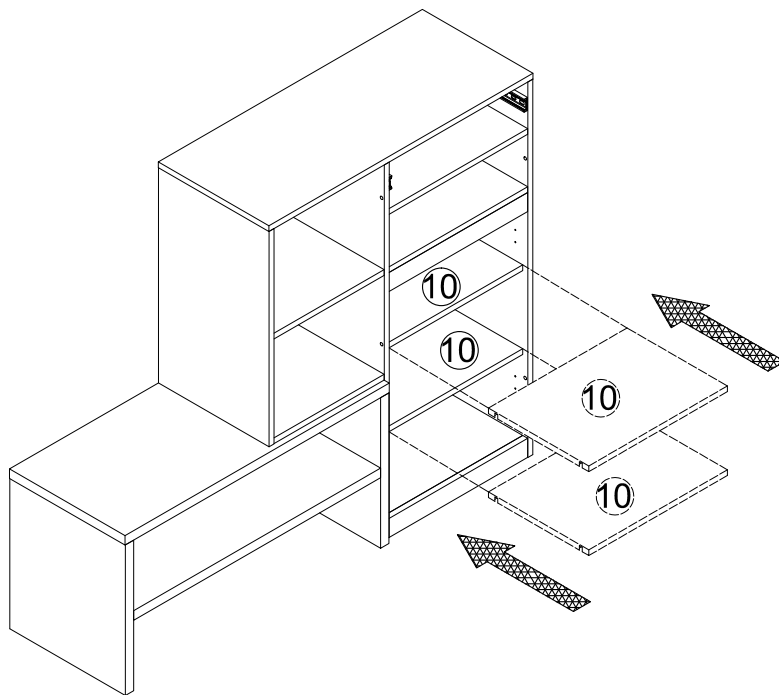
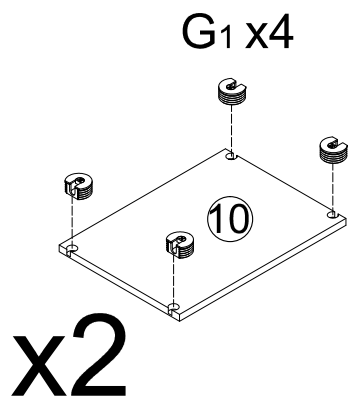
12




Fx6
Ax10

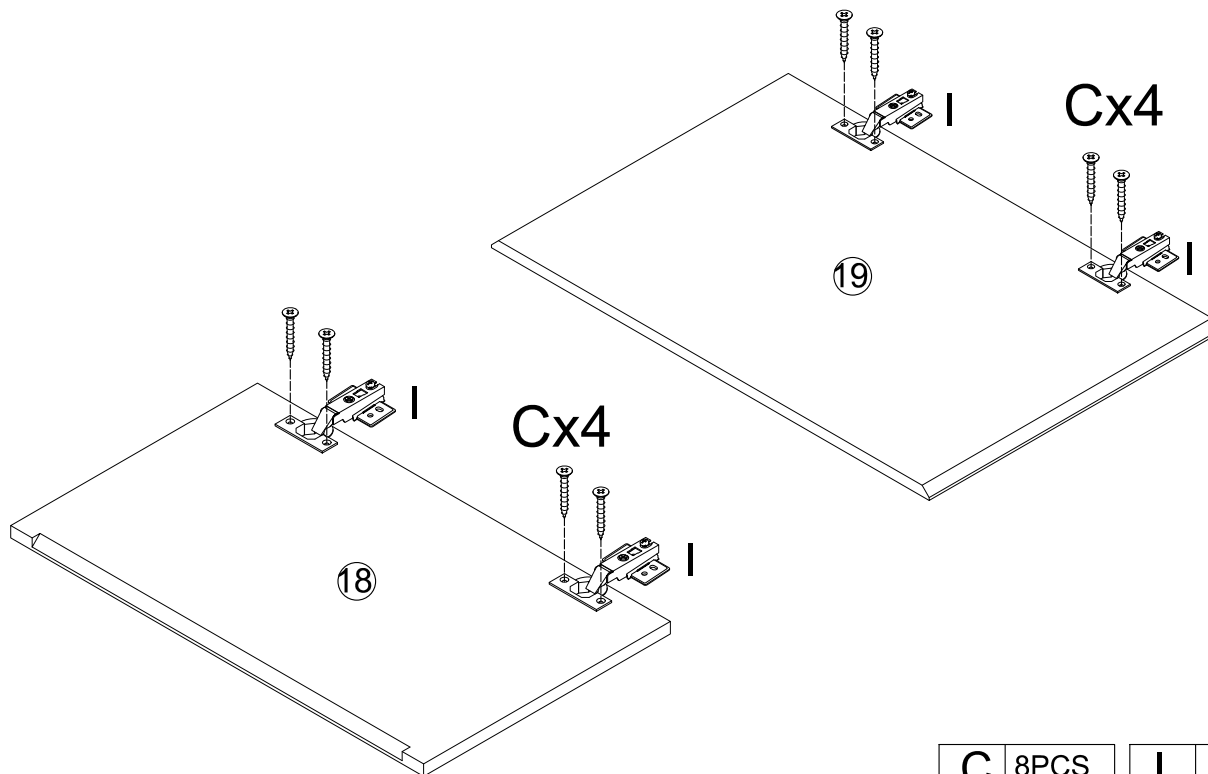
A	10PCS	F	6PCS
			
φ15*10mm		φ8*30mm	


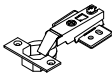
13



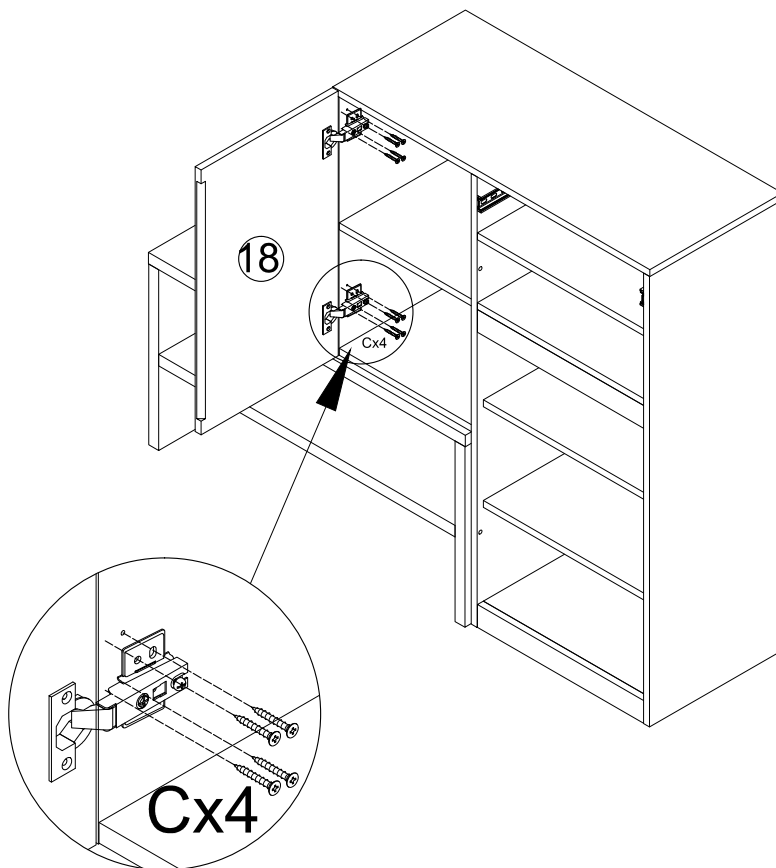
G1	8PCS
	
ø20mm	


14



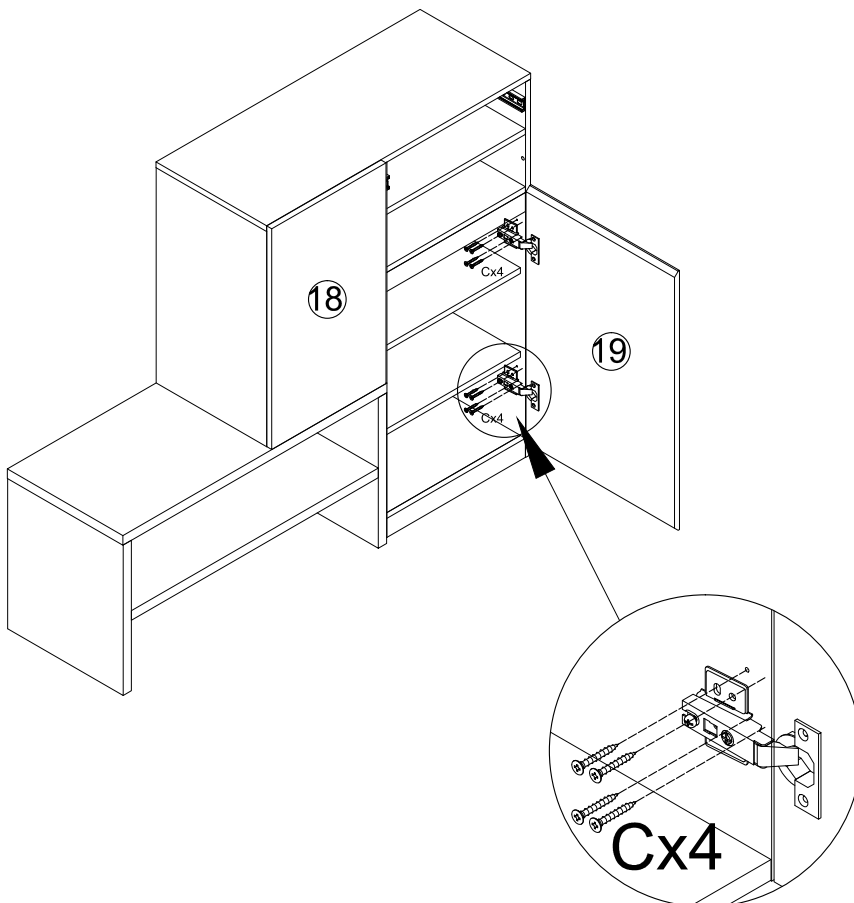
C	8PCS	I	4PCS
			
ø3.5*14mm			


15



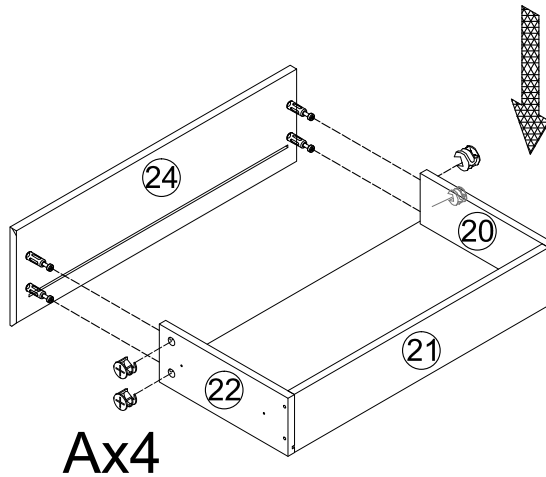
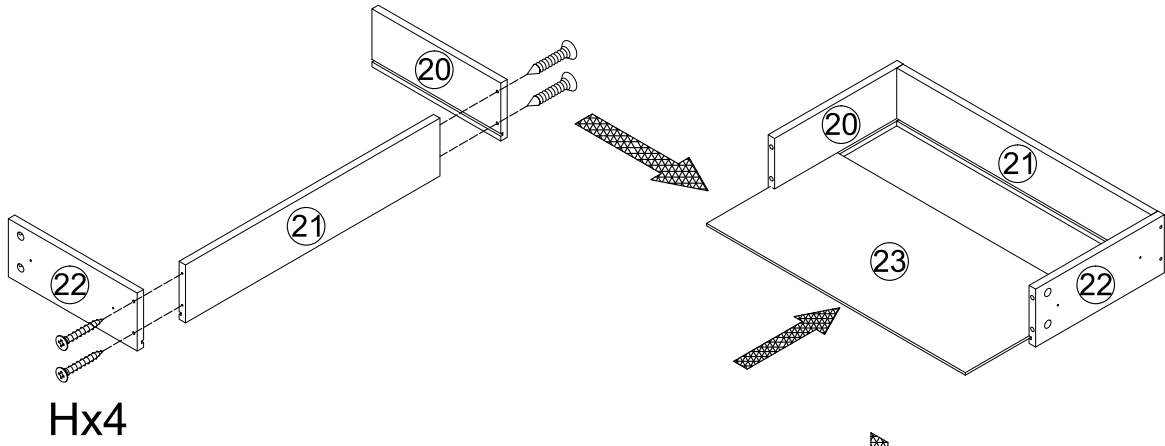
C	8PCS
	
ø3.5*14mm	



16



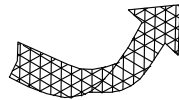
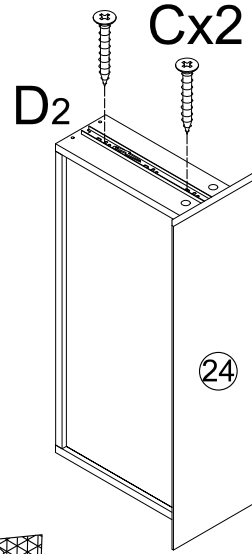
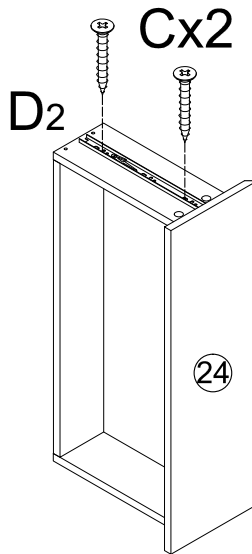
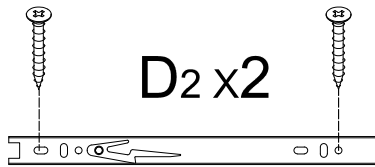
C	8PCS
	
ø3.5*14mm	

17





A 4PCS	H 4PCS
	
φ15*10mm	φ3.5*40mm

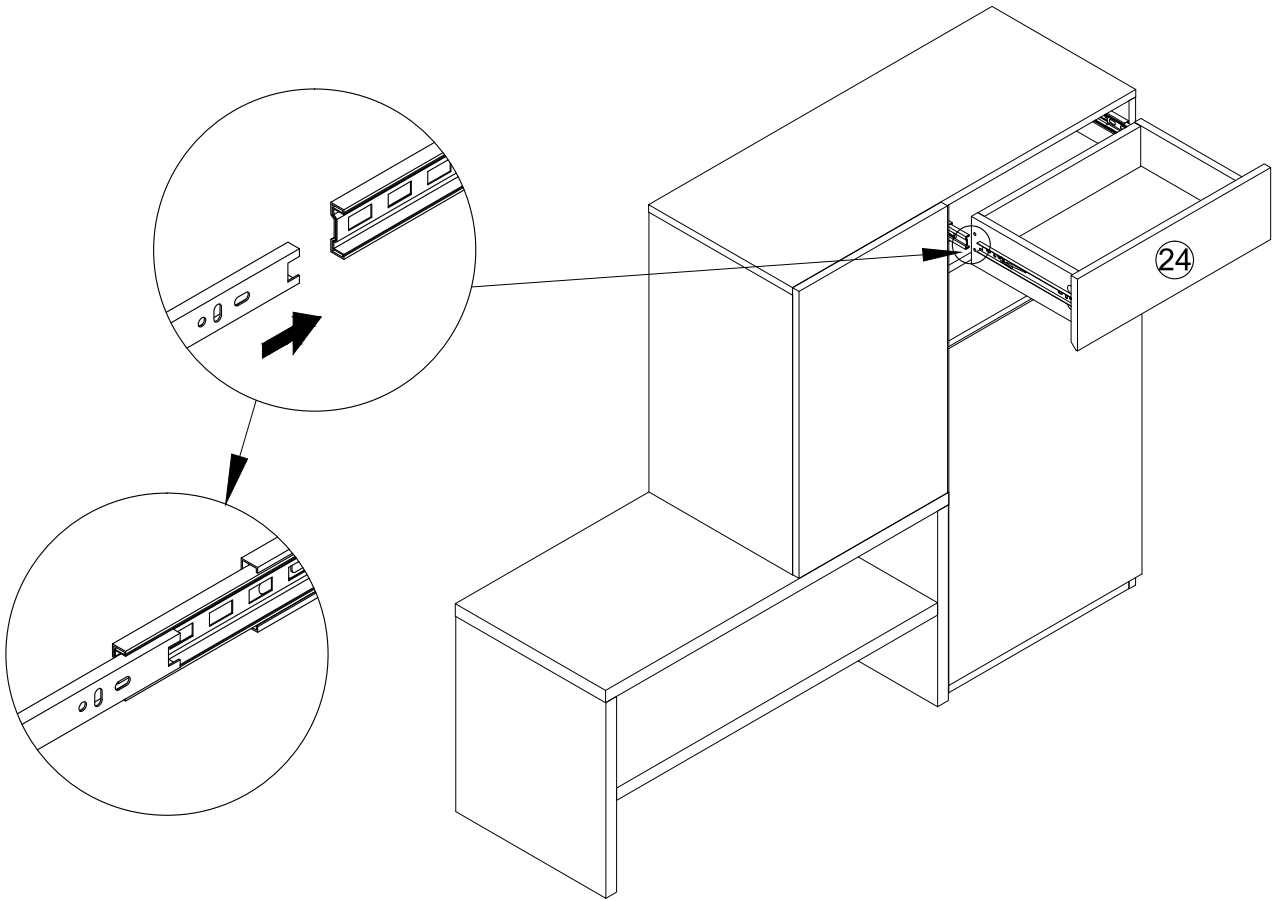
18



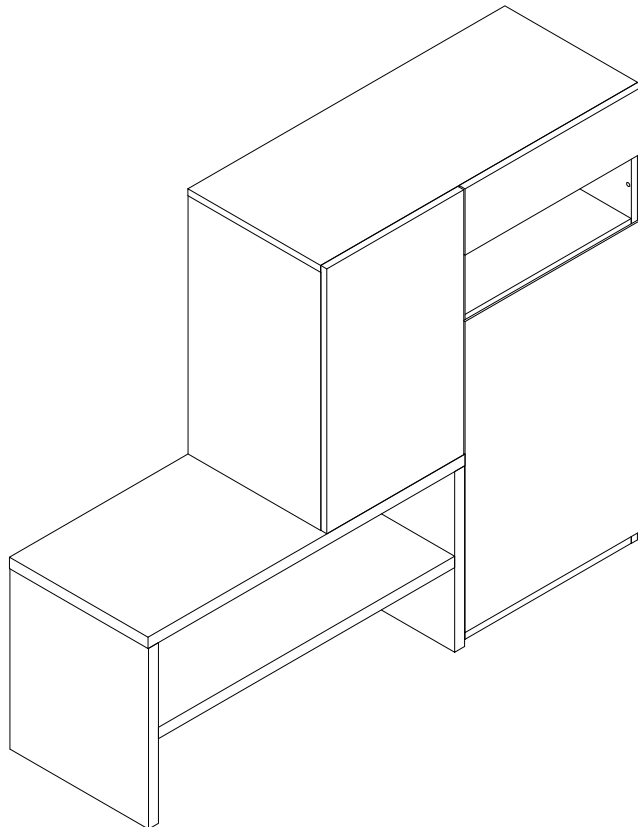
x3

C 4PCS	D₂ 2PCS
	
φ3.5*14mm	10"

19



20



OK