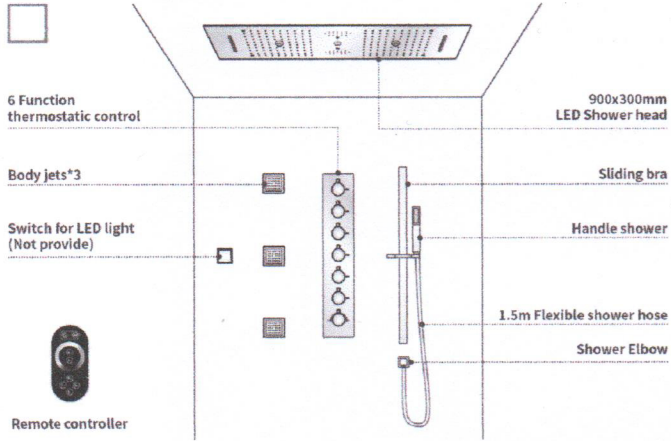


❖ **Product Specification**



❖ **Install Caution :**

Please read carefully these instructions before proceeding with the product installation.

It is indispensable to flush through the supply pipes before installing and using the product.

❖ **Technical Data :**

Operating pressure = 0,3 - 1MPa (3 - 10bar)

Large differences in pressure between the hot and the cold water supply should be balanced.

Recommended hot water temperature = 60° C - 70° C

Maximum hot water temperature = 70° C

❖ **Cleaning :**

It is recommended to clean the tap with a soapy solution.

Never use cleaners containing acids, abrasives, or solvents.

Towel dry any water left on the product after each use to avoid water spots on its surface.

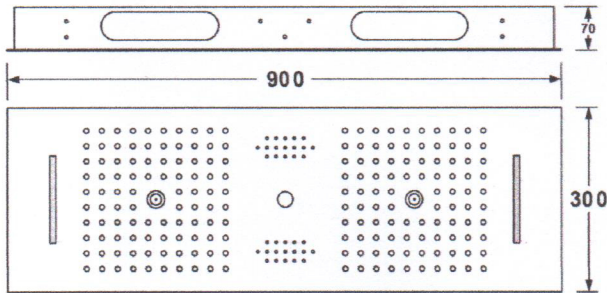
To avoid obstructions caused by scale build-up at the aerator it is recommended to periodically dismount it and submerge it in water with vinegar.

❖ **Cartridge Change :**

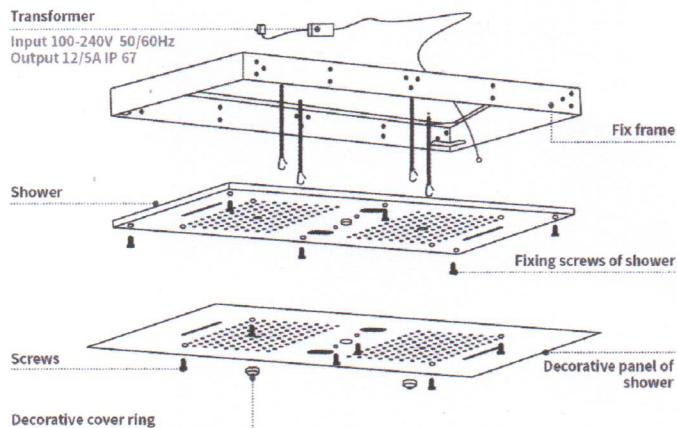
It is essential to turn off the water supply system (angle valve or stopcock) and to close the pop-up waste before beginning with the cartridge change.

The stronger you tighten the cartridge nut, the harder the lever will move.

❖ **Luxury LED Shower spare parts Exterior Dimensions**

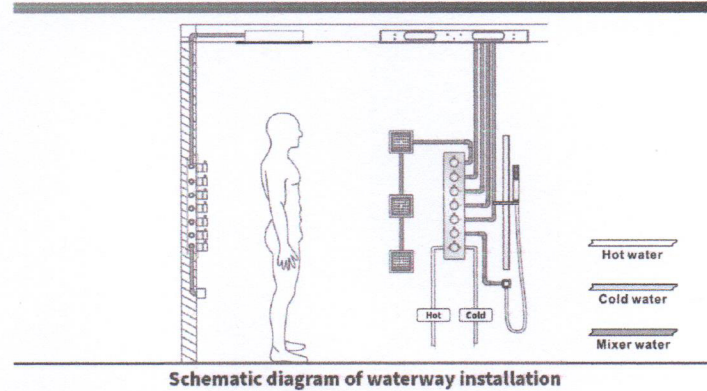
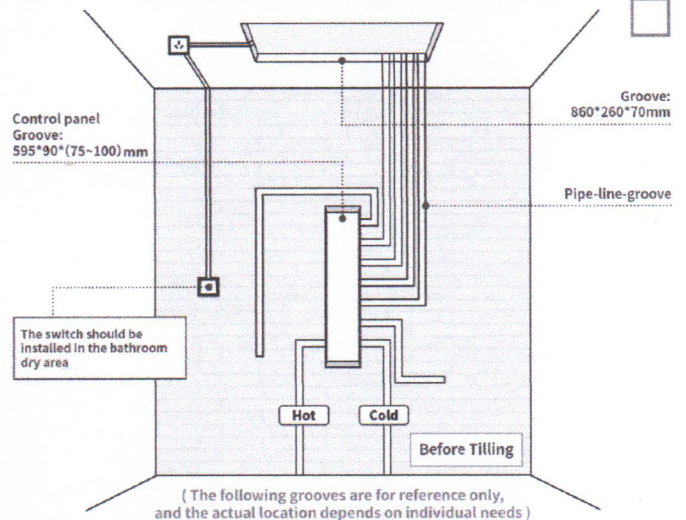


❖ **Luxury LED Shower spare parts Identification chart**



❖ **Power / water pipe - layout**

Before installation, well plan the pipe groove in the required position for the product according to the actual installation location of the wall and ceiling.

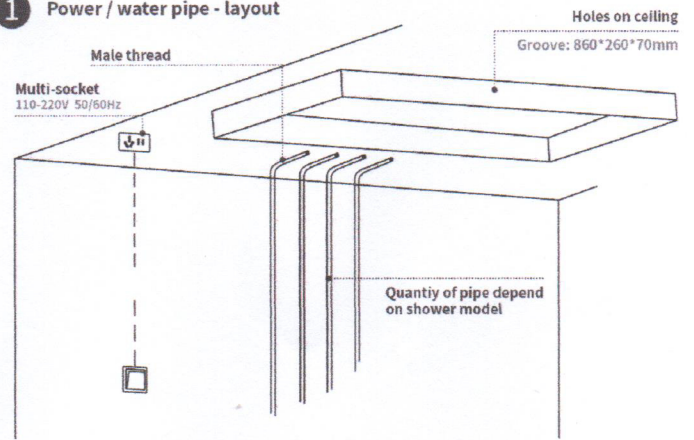


①

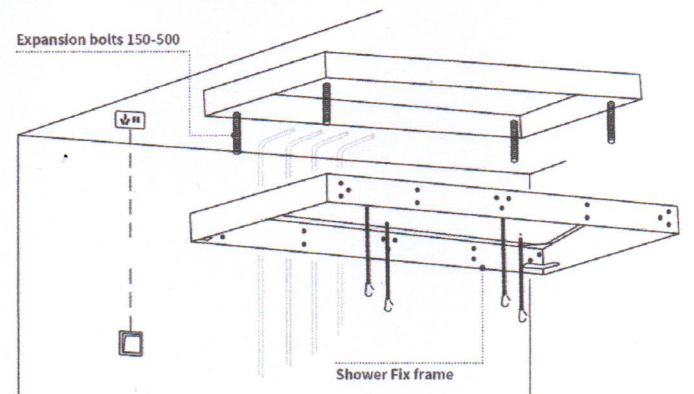
②

❖ **Luxury LED Shower spare parts method**

❶ **Power / water pipe - layout**



❷ **Shower head installation fixed frame**

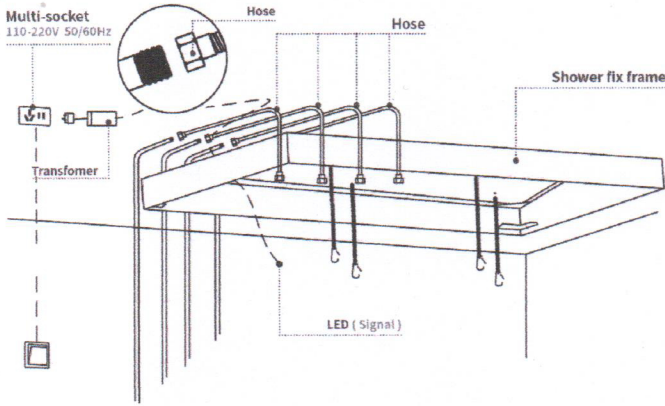


③

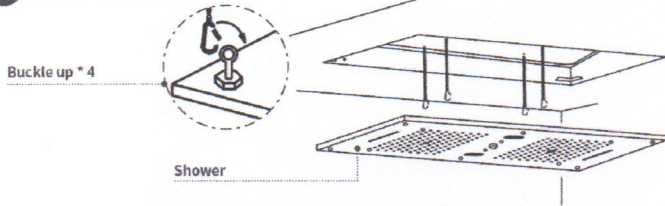
④

❖ **Luxury LED Shower spare parts installation instruction**

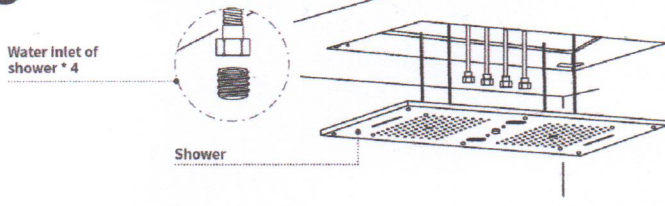
3 layout for power / water pipe



4 Install Shower



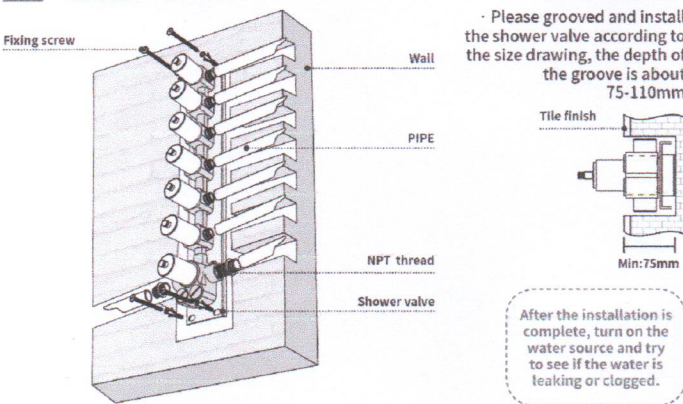
5 Connect the water inlet pipe



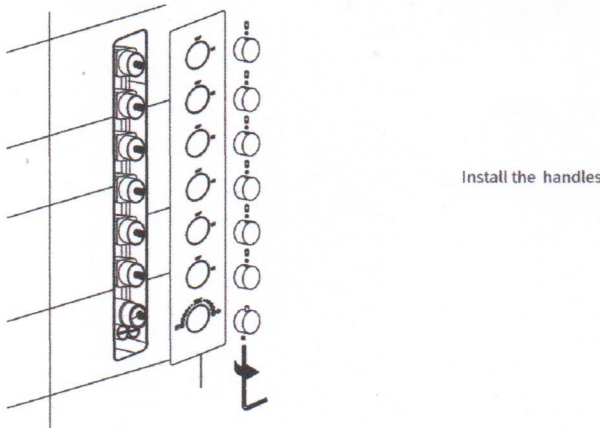
⑤

❖ **Installation method**

9-1 6 Function thermostatic control shower valve



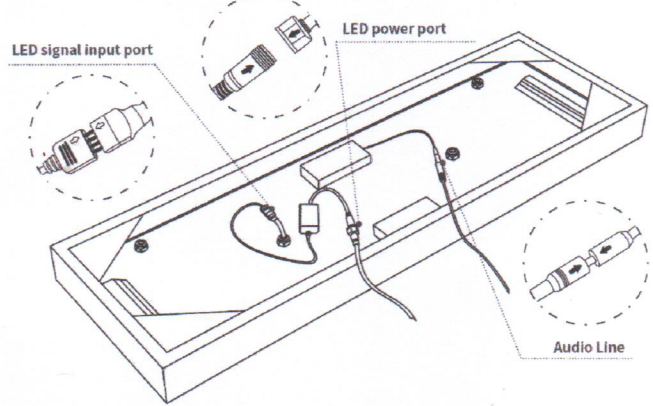
10-1 9 Function thermostatic control shower valve



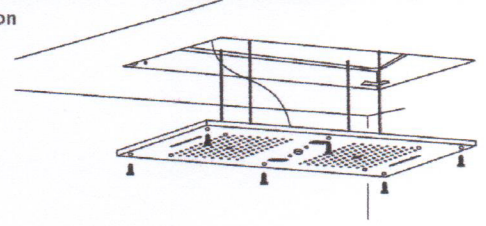
⑦

❖ **Luxury LED Shower spare parts installation instruction**

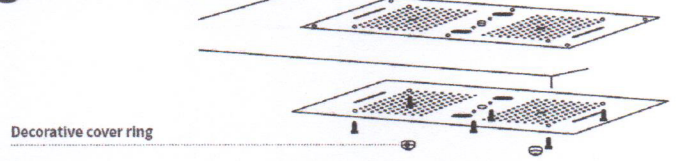
6 Connect LED (signal line)



7 Shower installation



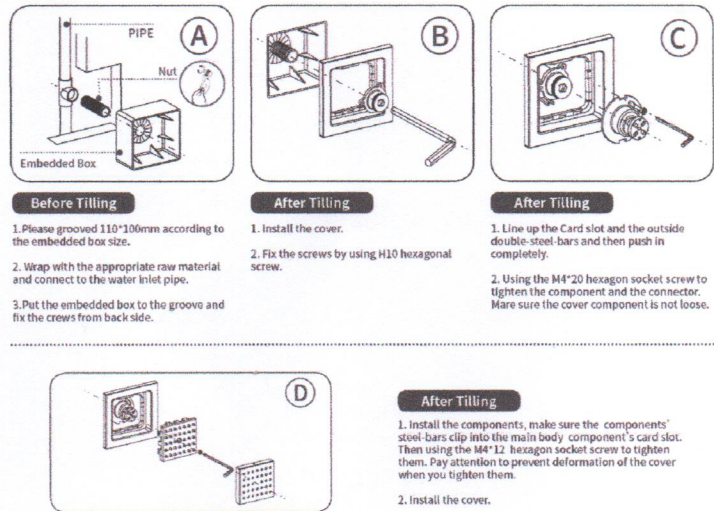
8 Fix the decorative panel of shower



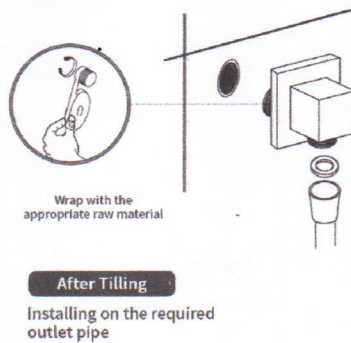
⑥

❖ **Installation method**

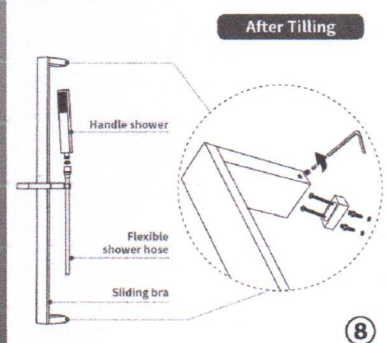
11 Body jets * 3



12 Shower Elbow



13 Sliding Bra



⑧