

MANUAL - A



Please read the manual before use.

【Caution】 Please fully charge the battery before using it for the first time.

Product list

- Light *1
- USB Charger Cable *1
- Iron Sheet *N

(Notes: The iron sheet has the same amount as the magnet amount of the light, The iron sheet amount of different light size may be different.)

Function description

- Initially closed.
- Press the button for the first time to enter the ON mode.
(In the ON mode, the sensing function won't work and the light stays on)
- Press the button for the second time to enter the sensing mode.
(The sensing mode will be entered after the light flashes three times)
- Press the button for the third time to turn off the light.
- When the light is on, the brightness can be adjusted by holding the button.
(The brightness can be memorized)

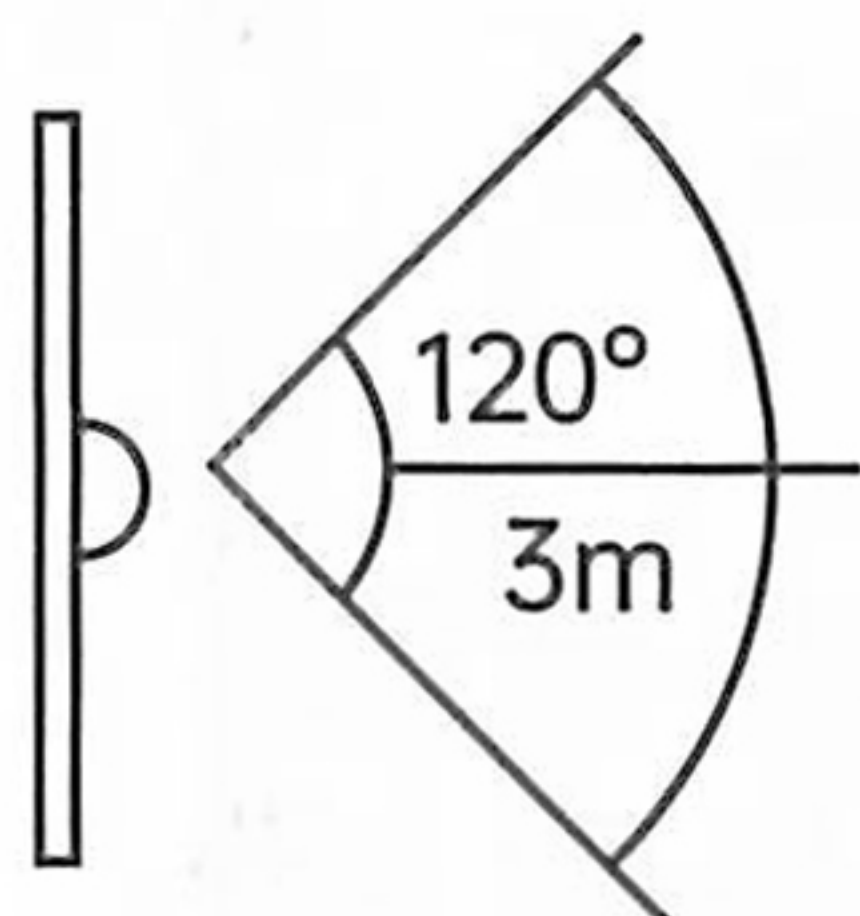
【Special instructions for sensing mode】

1. The sensing mode works by both human body and light conditions, the light will automatically turn on when human passing through the low light area within sensing range, otherwise the light will not work.
2. After human left the sensing area, the light will go out automatically after about 25 seconds.
3. The light stays on if human stays in the sensing range.

Notes for sensing mode

1. In the sensing mode, the light won't turn on when it senses human in a well lit environment.
2. The installation position such as too low, too high or the probe was blocked will affect the sensing range, it is recommended to be mounted facing the side passing by to ensure the better effect.
3. The sensing mode can be blocked by glass.

Description of working principle



- The light will automatically turn on when human passes through the low light area within sensing range, and it will automatically go out after about 25 seconds when human left the sensing range.
- The sensing range of the lamp is the area within 120° and 3 meters with the probe as the center point, However, improper installation or blocking the sensing probe will affect the sensing sensitivity.

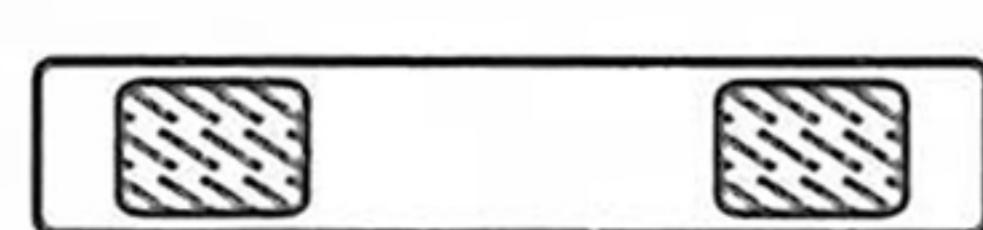
Power usage duration description

1. According to different usage, the power usage duration would be different, The longer you use it every day, the faster the power consumption, if the power consumption is still fast using the sensing mode less than 8 times a day and less than 25 seconds every sensing time, please contact the seller.
2. The brightness will decrease with the decrease of power, when the brightness is low, please recharge the light in time.

Installation description



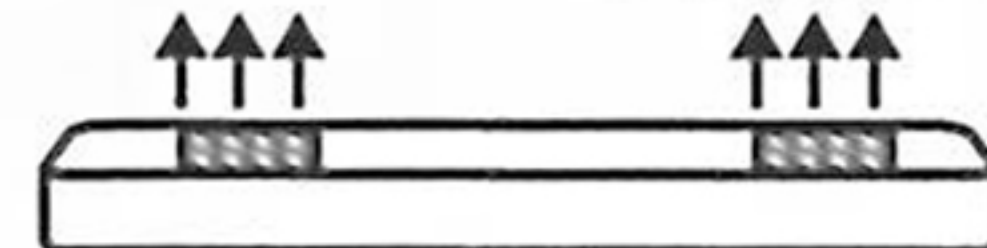
1. Please clean the installation position and keep it dry.



(Sample)

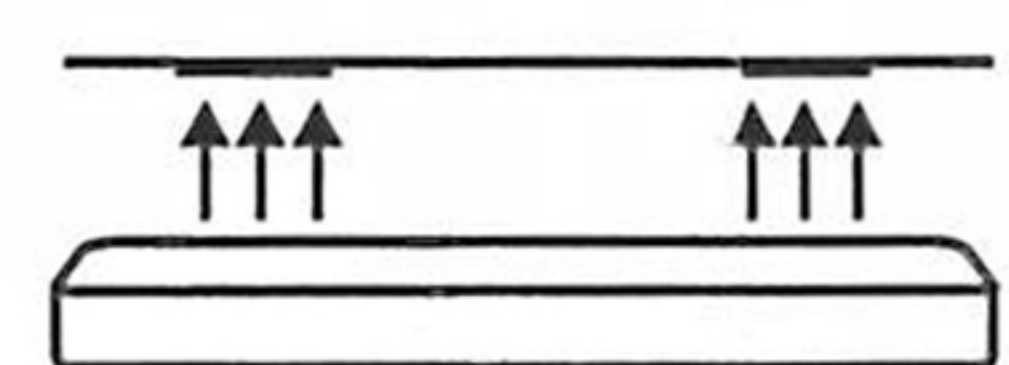
2. Place the iron sheet on the back of the light finding out the position of the built-in magnet.

(The adhesive surface faces outward)



(Don't stick the iron sheet on the light)

3. Stick it to the target position.



(Sample)

4. After installation, the light is magnetically attached to the iron sheet and can be taken off at any time.

【Installation precautions】 :

1. The iron sheet has two sides, one is metal and the other is adhesive.
2. The right installation method is to stick the adhesive side to the wall / cabinet, then the light can magnetically attach to the metal side.
(Do not stick the adhesive side on the light!)
3. The iron sheet has the same amount as the magnet of the light, The iron amount of different light size may be different.

Charging description

- Charging voltage: DC5V
- Red light -- charging
- Green light -- fully charged

Charging precautions:

1. Do not use a charging device with output voltage greater than 5v to charge the light!
2. In order to ensure charging safety and efficiency, please use the mobile phone charging adapter with safety certification to charge the light!
3. Do not use when charging. (The sensing mode can't work normally which is affected by the charging light when charging)

Cautions

1. Please fully charge the battery before using it for the first time, otherwise the light may not be used because of the circuit protection. (The protection is automatically released after charging)
2. Do not use the light under high temperature and humidity; This product is not suitable for outdoor.
3. The light source and battery of the product are irreplaceable. After a long time of use, when the brightness of the product is very low under full power state or the power usage duration becomes shorter under normal usage, the whole lamp shall be replaced.

FAQs

Q: Just received the light, why can't turn it on ?

A: Please fully charge the battery before using it for the first time, otherwise the light may not be turned on because of the circuit protection. (The protection is automatically released after charging)

Q: How long will it turn off after sensing human ?

A: The light stays on if human stays in the sensing range, After human left the sensing area, the light will go out automatically after about 25 seconds.

Q: Why the light won't work when sensing human ?

A: The sensing mode works by both human body and light conditions, the light will automatically turn on when human passing through the low light area within sensing range, otherwise the light won't work.

Q: The sensor is not sensitive enough / only worked when you walk closer? How wide is the sensing range ?

A: The sensing range of the lamp is the area within 120° and 3 meters with the probe as the center point, However, improper installation or blocking of the sensing probe will affect the sensing effect.

Q: Power usage duration problem ?

A: According to different usage, the power usage duration would be different, The longer you use it every day, the faster the power consumption, if the power consumption is still fast using the sensing mode less than 8 times a day and less than 25 seconds every sensing time, please contact the seller.

Q: Charging problem ?

A: Please read the [Charging description].

Please contact the seller if the manual can not solve your problem, Thank you for your choice and trust.