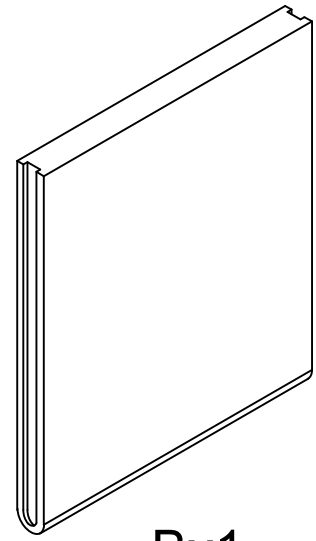
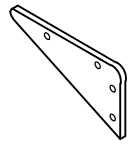


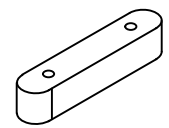
Ax1



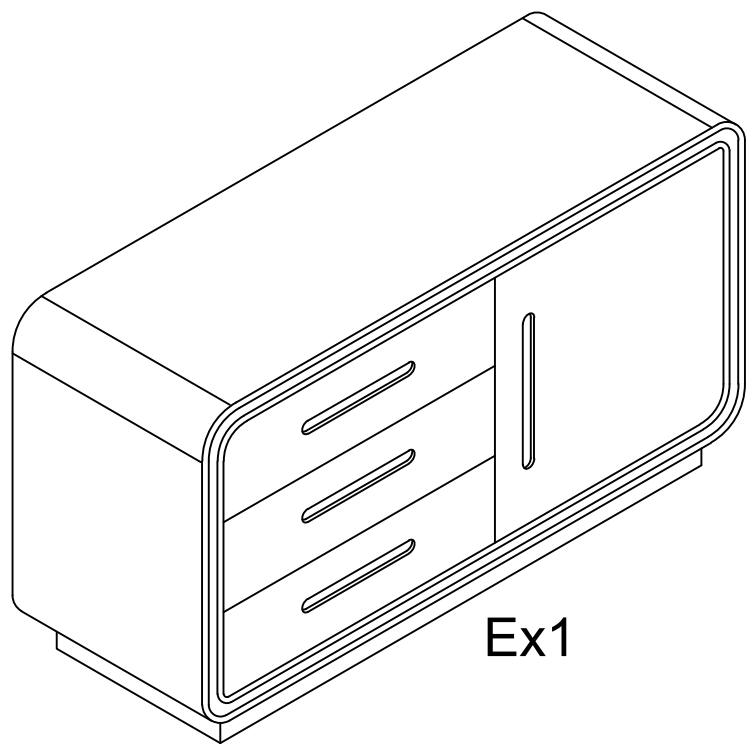
Bx1



Cx1



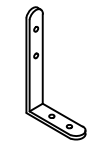
Dx1



Ex1



Fx2



Gx2



Hx8



Ix2



Jx4



Kx4



Lx2



Mx4



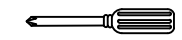
Nx4



Ox2



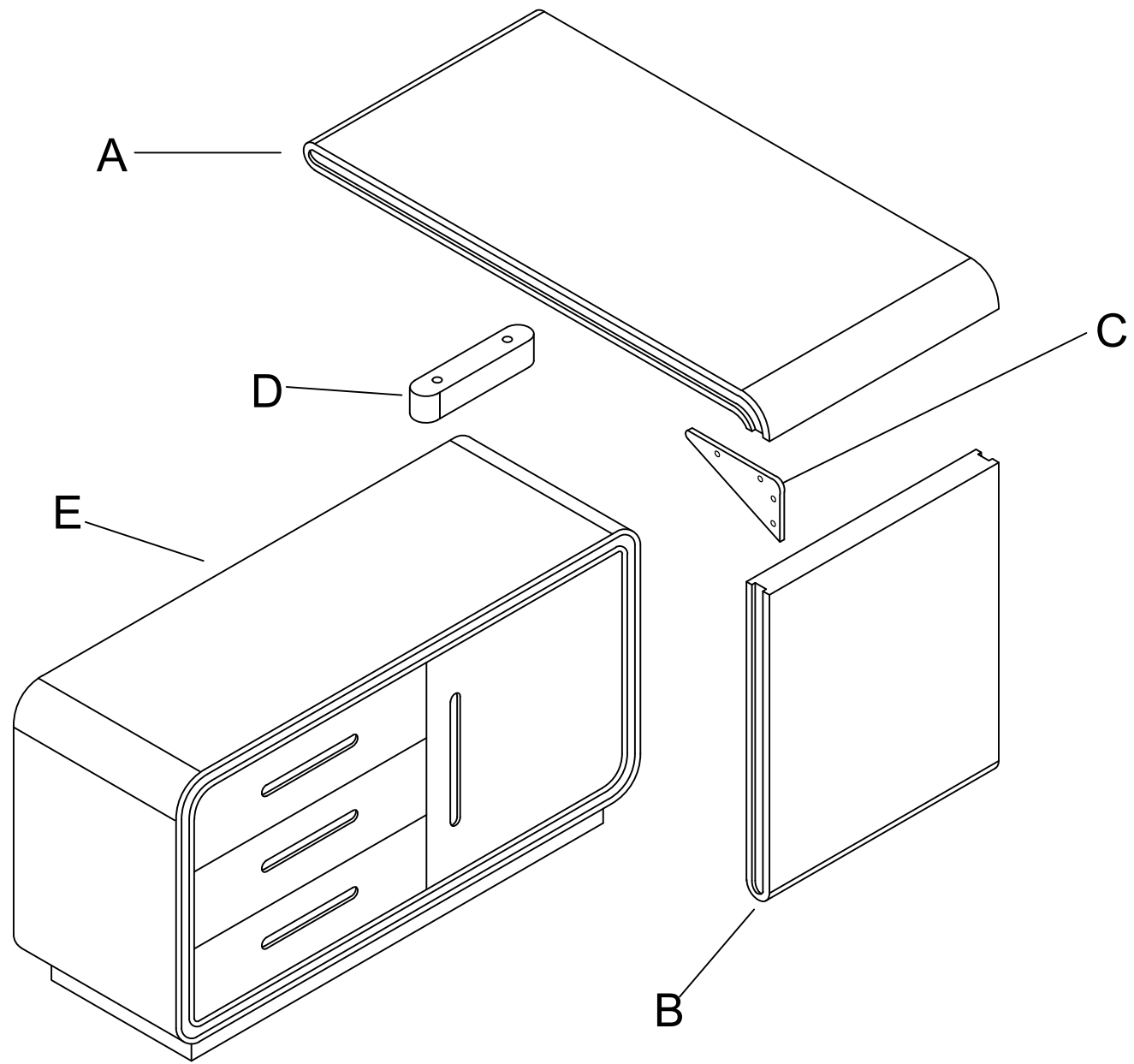
Px1



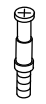
Qx1

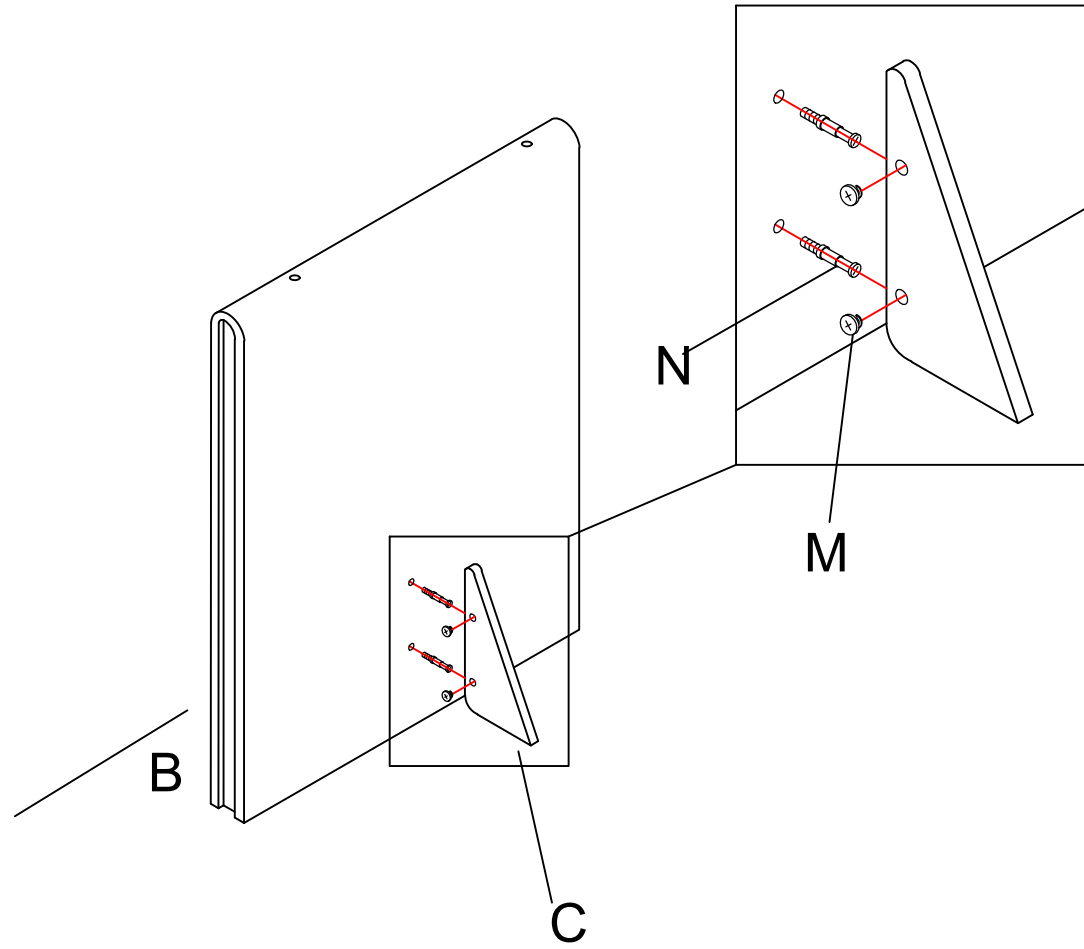







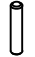
Rx1

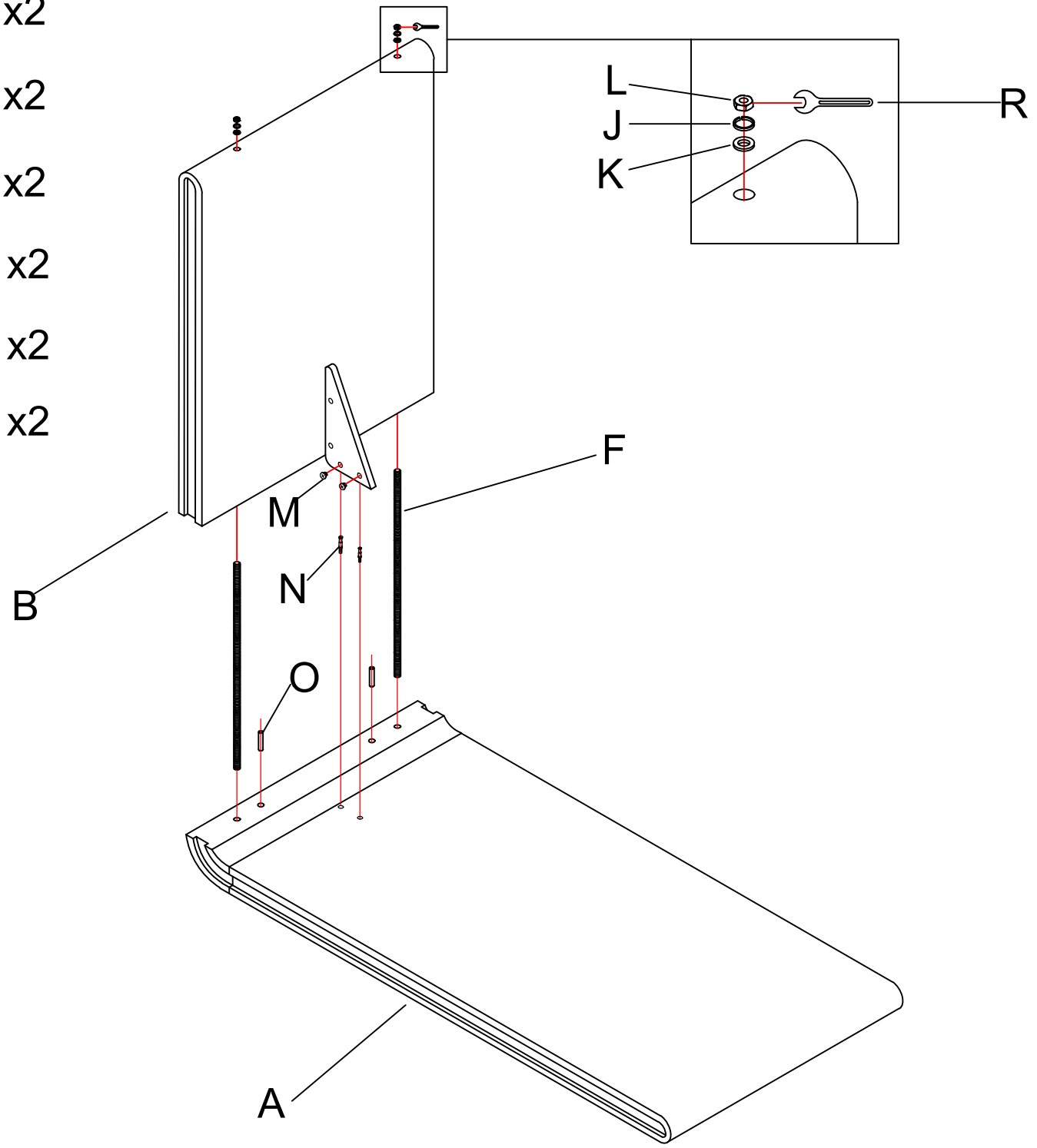


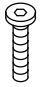



M  x2

N  x2



- M  x2
- N  x2
- L  x2
- J  x2
- K  x2
- O  x2



- I  x2
- J  x2
- K  x2
- H  x8

