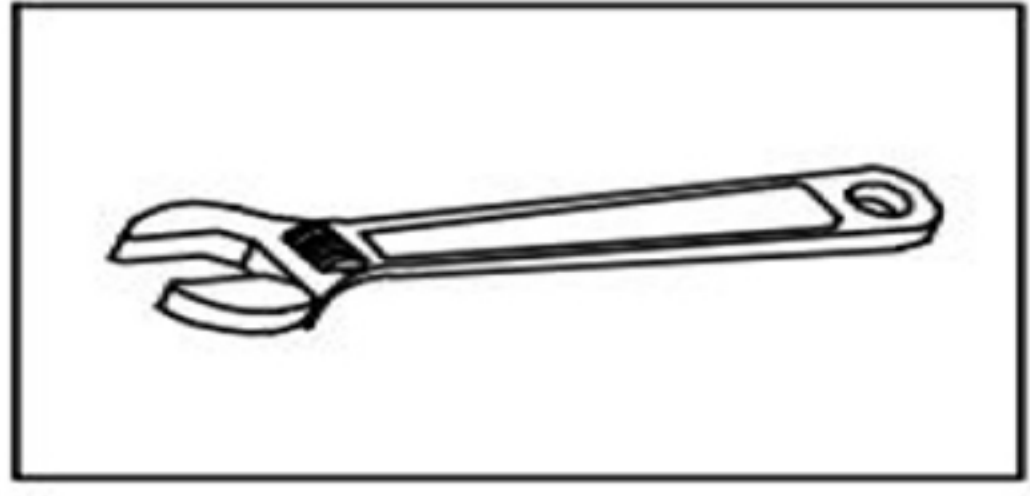
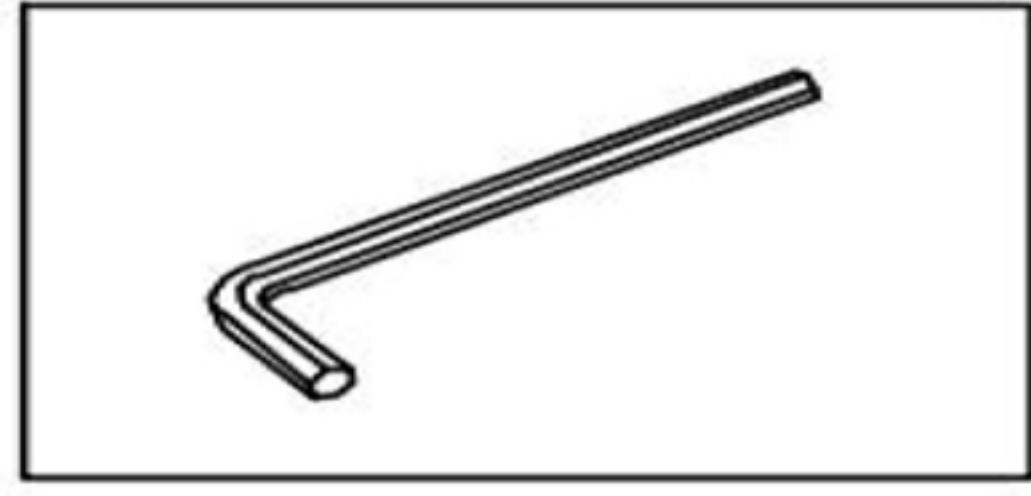


Wall Mounted Tub Faucet Installation

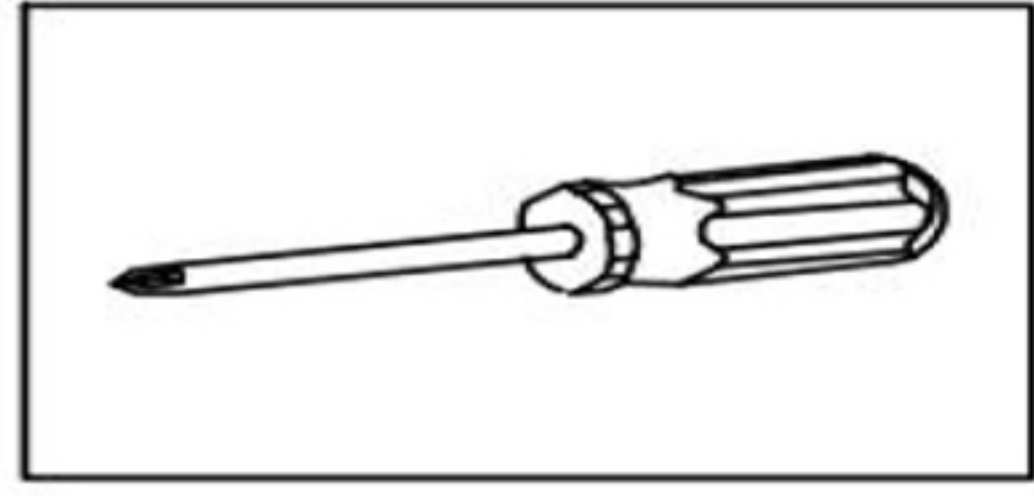
INSTALLATION MANUAL Tools You Will Need:



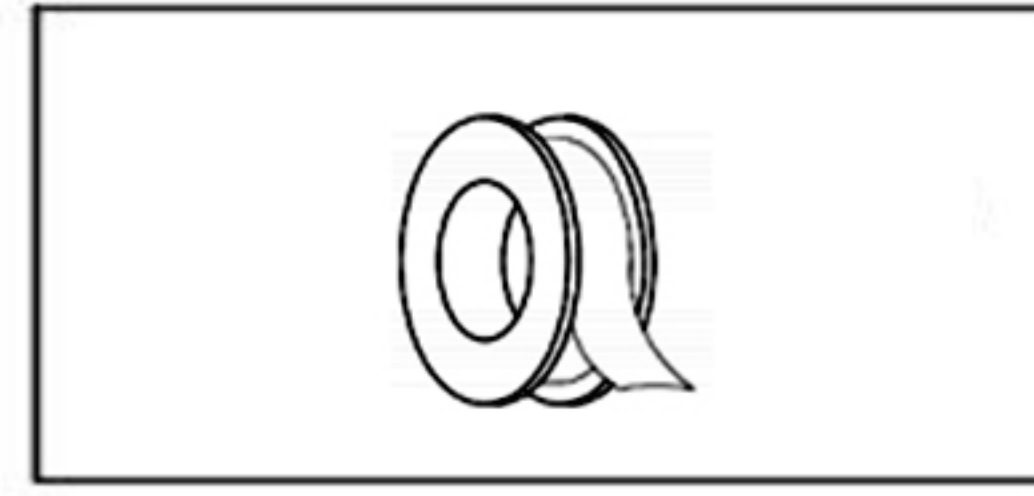
Adjustable Wrench



Allen Key



Philips Screwdriver



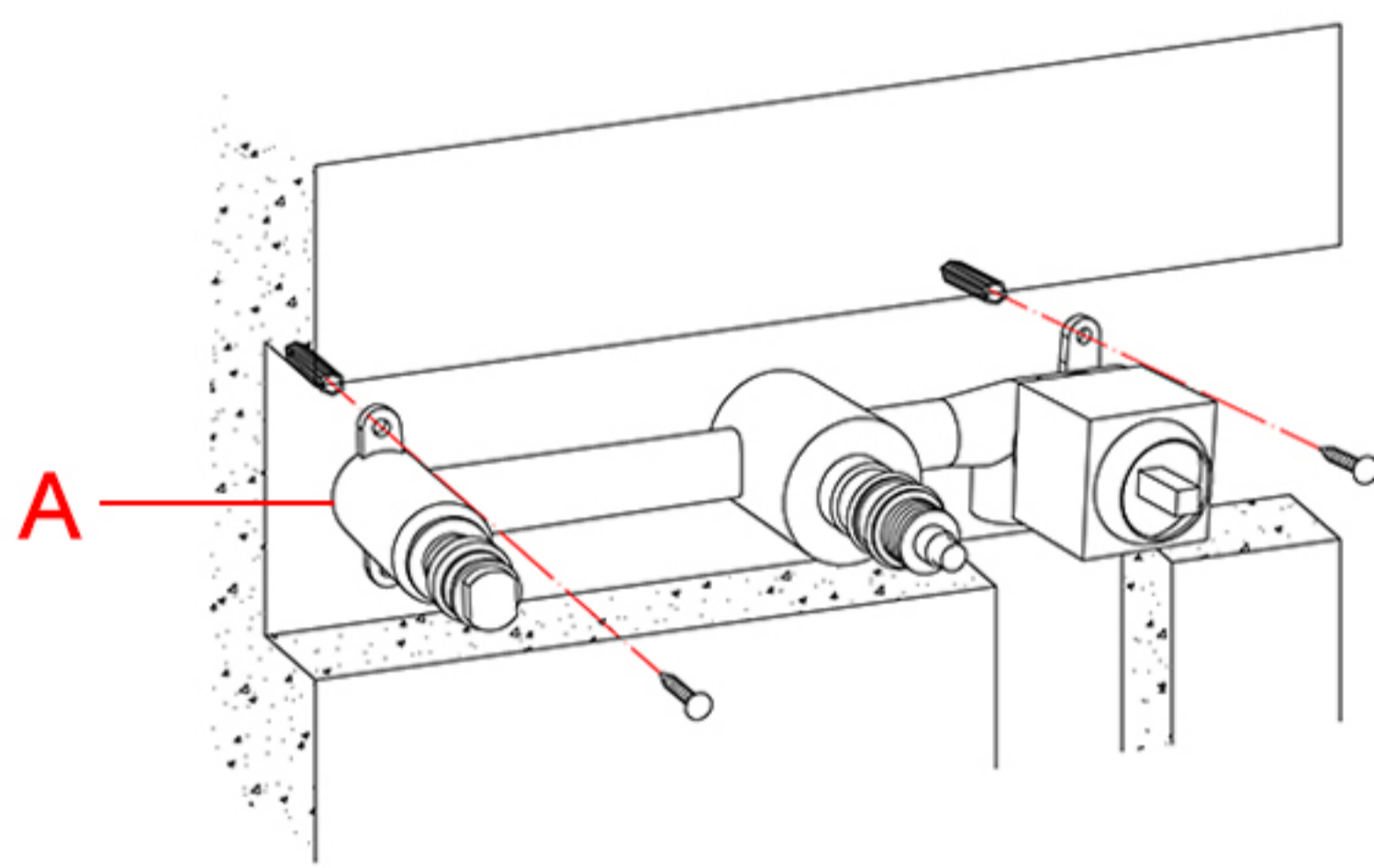
Teflon Tape

Before the Installation

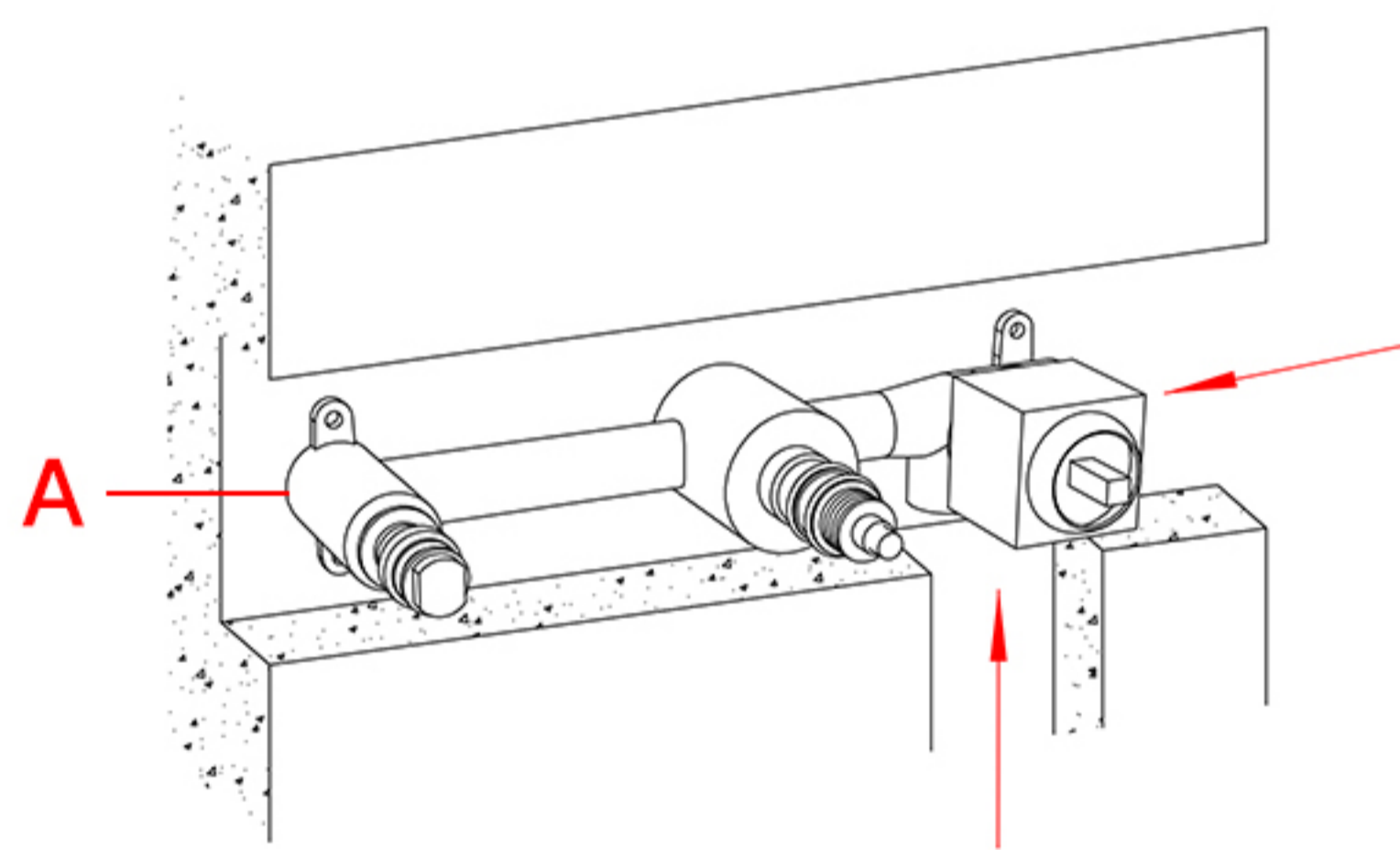
1. Check the package and confirm all parts are included. If any part is missing or damaged, please contact us.
2. Do not disassemble the main body, as it has been installed & commissioned correctly & precisely before leaving the factory.
3. Shut off the main water supply prior to beginning installation.
4. Do flush the water supply lines to remove any dirt and debris before installation (**IMPORTANT**).
5. Make sure to connect the hot/cold inlet pipe correctly. If standing in front, connect hot water pipe to the left and cold water pipe to the right.
6. After the installation, check for leaks and make sure every joint is safely sealed.

Cleaning and Maintenance

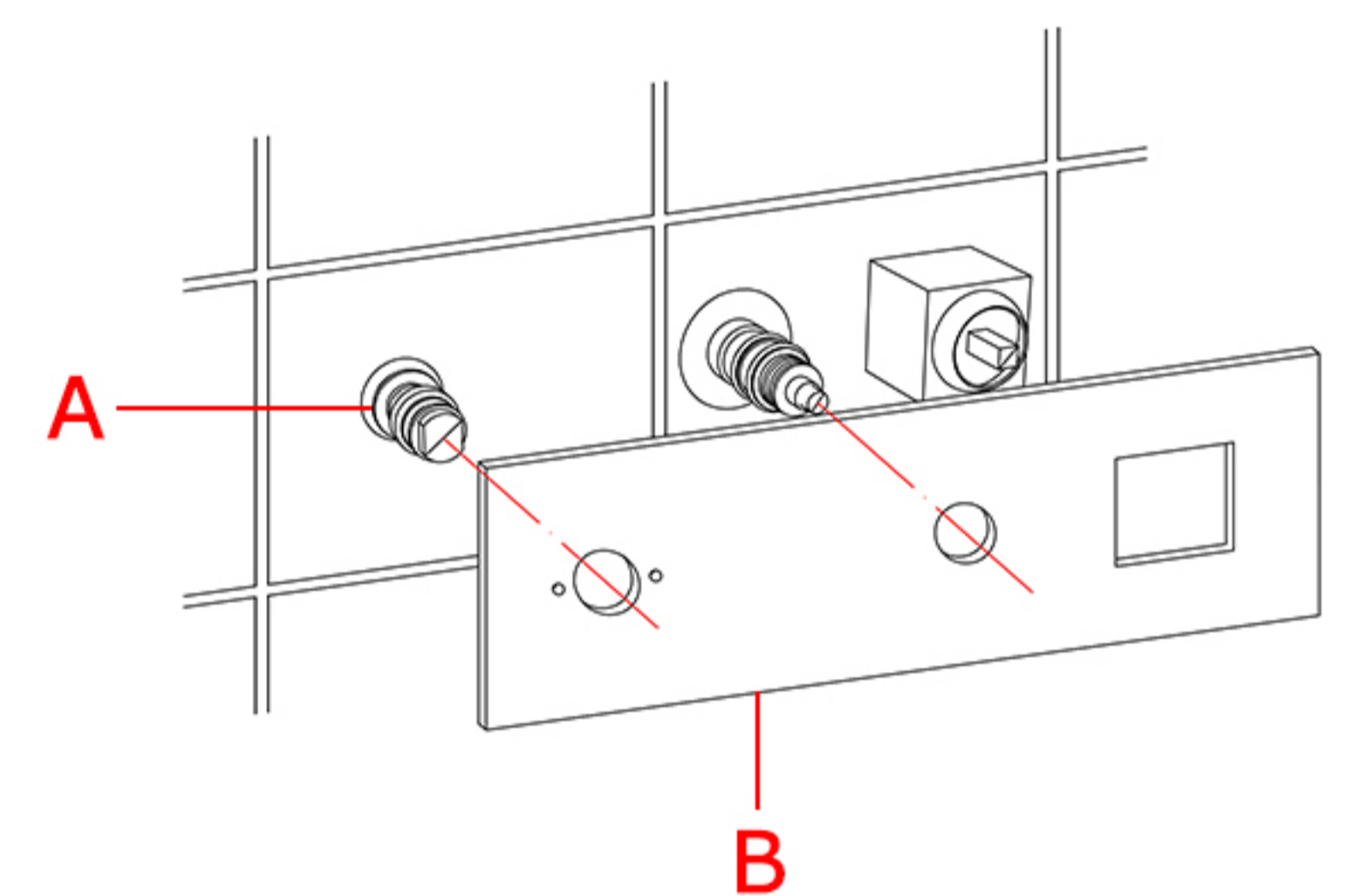
1. Rinse with clean water and dry with a soft cloth.
2. Do not use any detergent, acid, polisher, abrasives, or harsh cleaners.
3. Do not use cloth with a coarse surface.



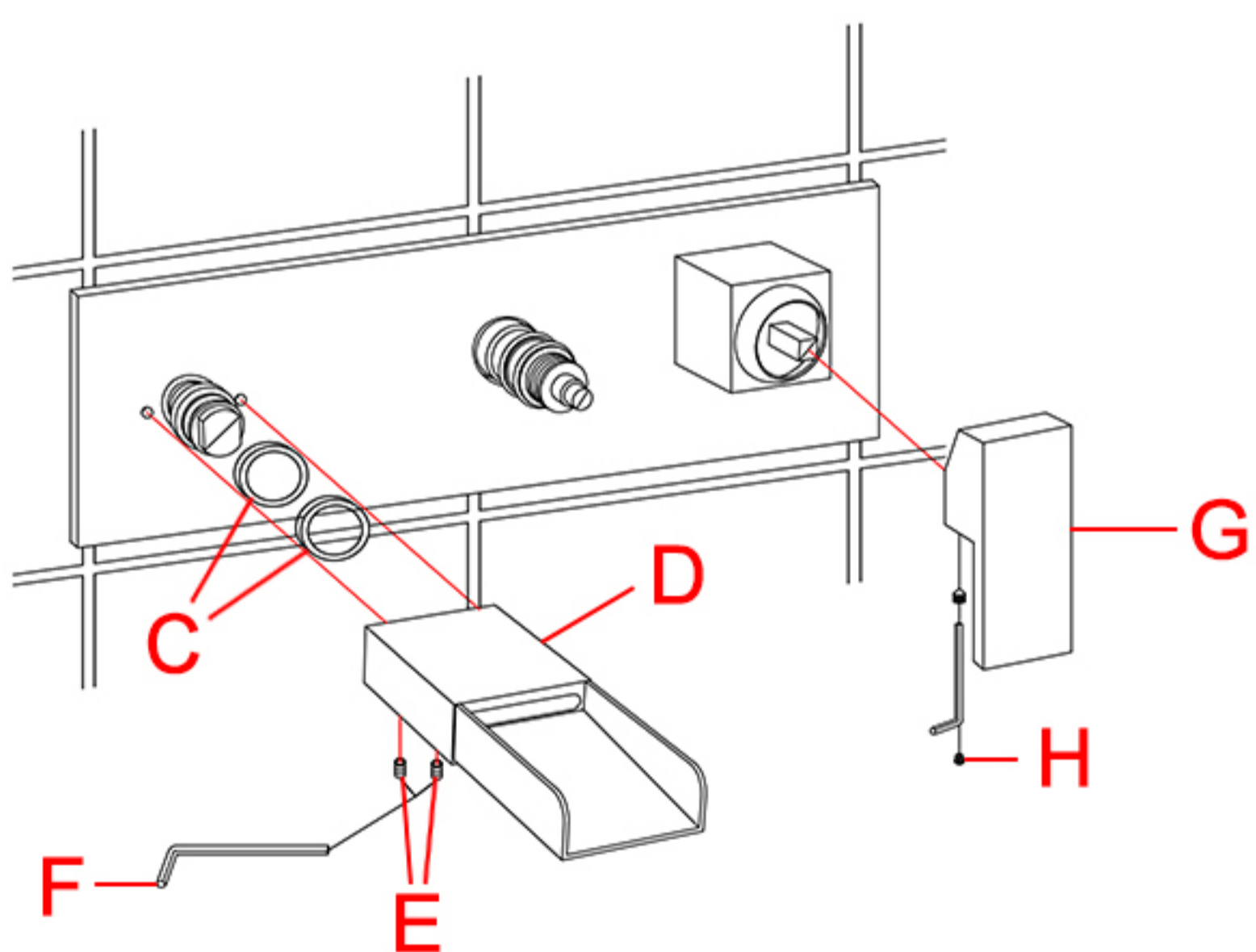
1. Fix the valve (A) into the wall with screws. Use a level to ensure that the valve is straight and level. (**Important:** Flush the water supply pipes to remove any dirt and debris before installing the valve body.)



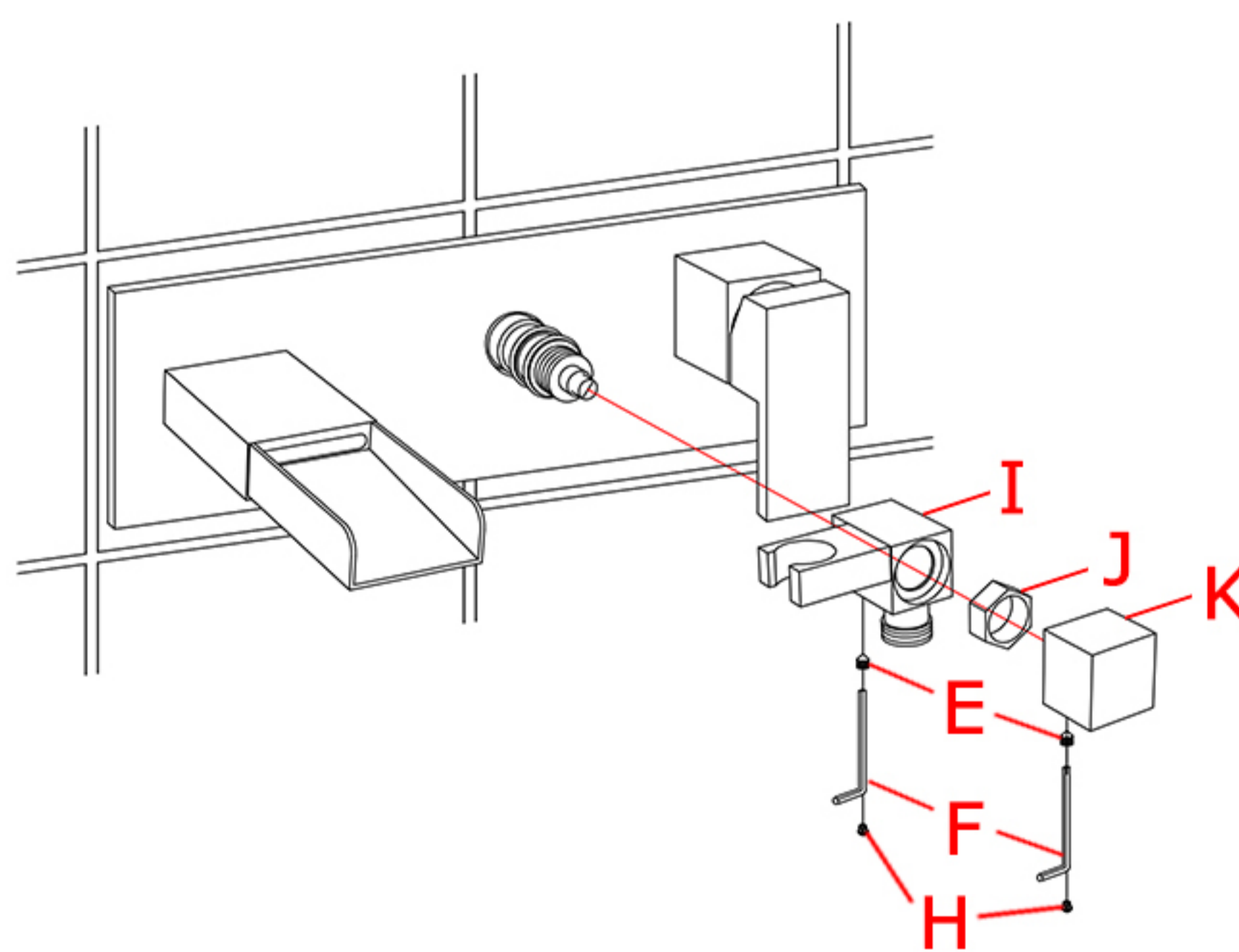
2. Wrap Teflon tape around the pipe threads. Connect hot and cold water supply lines and the in-wall pipes (not included) as desired to the valve (A). Then, turn on the water supply and open the cartridge to make sure that no leaks. (**Note:** Test the water pressure after the pipe connections have been made and before the finished wall is completed.)



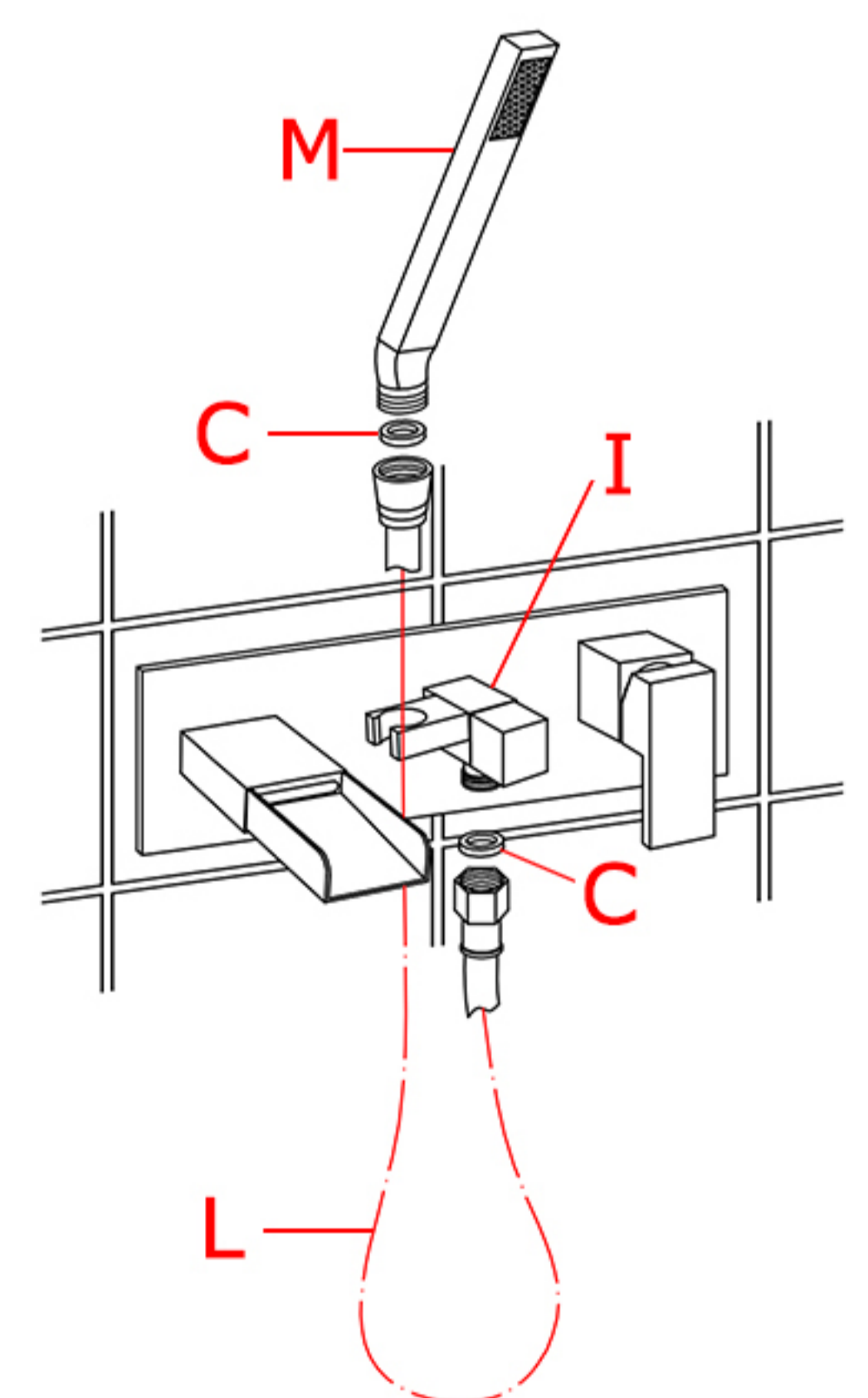
3. Install the escutcheon (B) to the valve (A) and press it against the finished wall.



4. Add the rubber washers (C) and screw the tub spout (D) into the outlet on the wall, tighten set screws (E) with Allen key (F). Install the handle (G) and tighten set screw (E) with Allen key (F), and then put on indication button (H).



5. Install the hand shower holder (I), tighten set screw (E) with Allen key (F) and put on the indication button (H). Add the Allen nut (J) and install the diverter knob (K) to the hand shower holder (I), tighten set screw (E) with Allen key (F), and put on the indication button (H).



6. Add rubber washer (C) to both ends of shower hose (L) and connect the shower hose (L) to hand shower (M) and hand shower holder (I). Then, place the hand shower (M) into the hand shower holder (I).