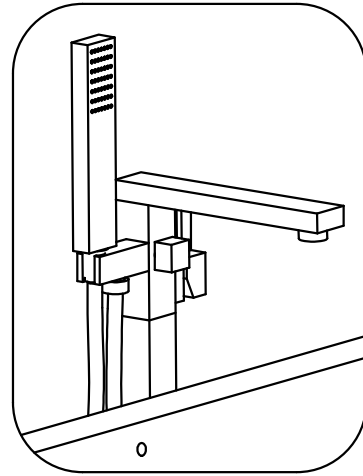
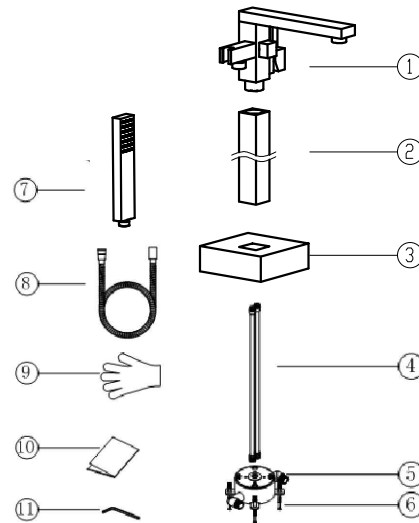


Floor bathtub mixer instruction

Please inspection all spare parts list when you open box, if any problem, please contract with seller. Spare parts list as follow.

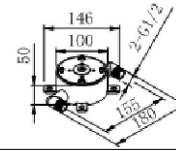


NO	Product Description	QTY
1	Control body	1
2	Body Pipe	1
3	Panel	1
4	Water pipe	2
5	N-box	1
6	Expansion Screw	4
7	Hand shower	1
8	shower hose	1
9	Glove	1
10	Instruction	1
11	Screw tool	1

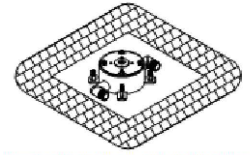


NOTICE:

1. N-box in-wall depth: $D \leq 46\text{mm}$,
N-box more than 2mm of tiles.



2. Adjust level by gradiometer.
Fix by M6 expansion Screw.



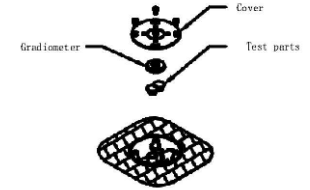
3. Jointing hot and cold water joint. Prevent no leakage.



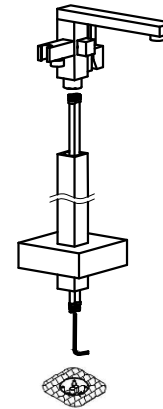
4. Clean.



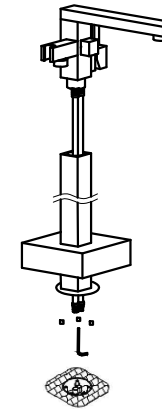
5. Take spare parts, cover, test parts and gradiometer.



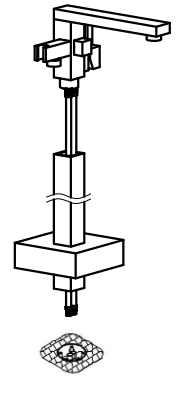
6. Connect body by H8 screw tool.



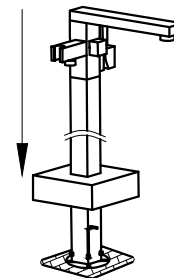
7. Fix panel by M4 screw.



8. Connect control body.



9. Fix pipe in N-box, adjust position, fix panel by M5 screw.



10. Fix shower hose and hand shower.

