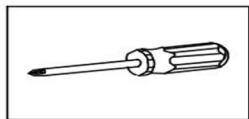


Console Table Installation

INSTALLATION MANUAL Tools You Will Need:



Philips Screwdriver

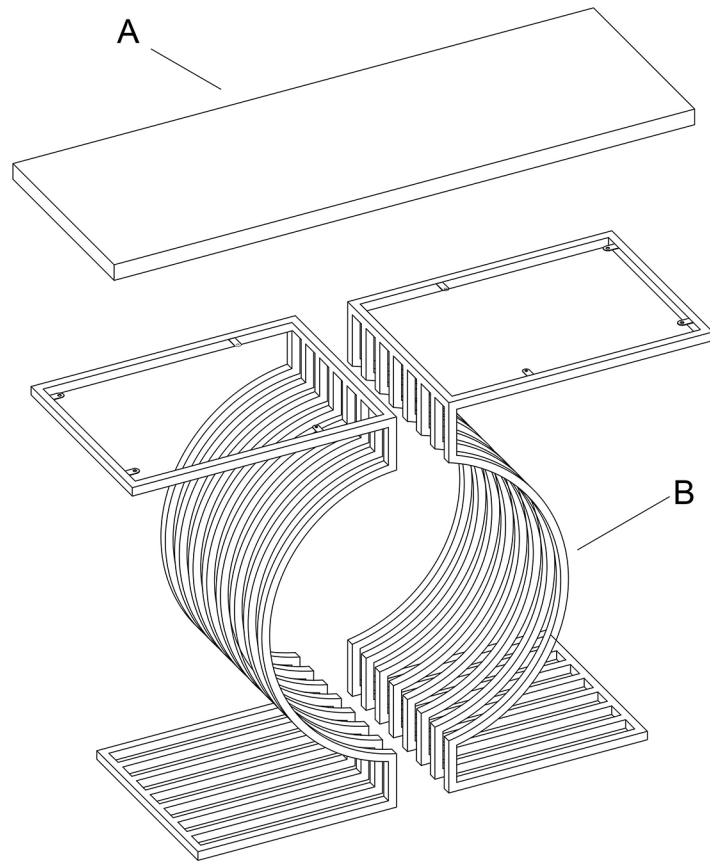
Before the Installation

1. Do not throw away packing materials until assembly is complete for small parts may come loose inside the carton during shipment. If parts are missing, please contact us.
2. Assemble this item on a soft surface, such as carpet to protect the finish.
3. Proper assembly of this item requires 2 people.
4. Periodically check to ensure that all connections are tight.
5. It is recommended that installation of the product be done by a qualified licensed furniture installer.

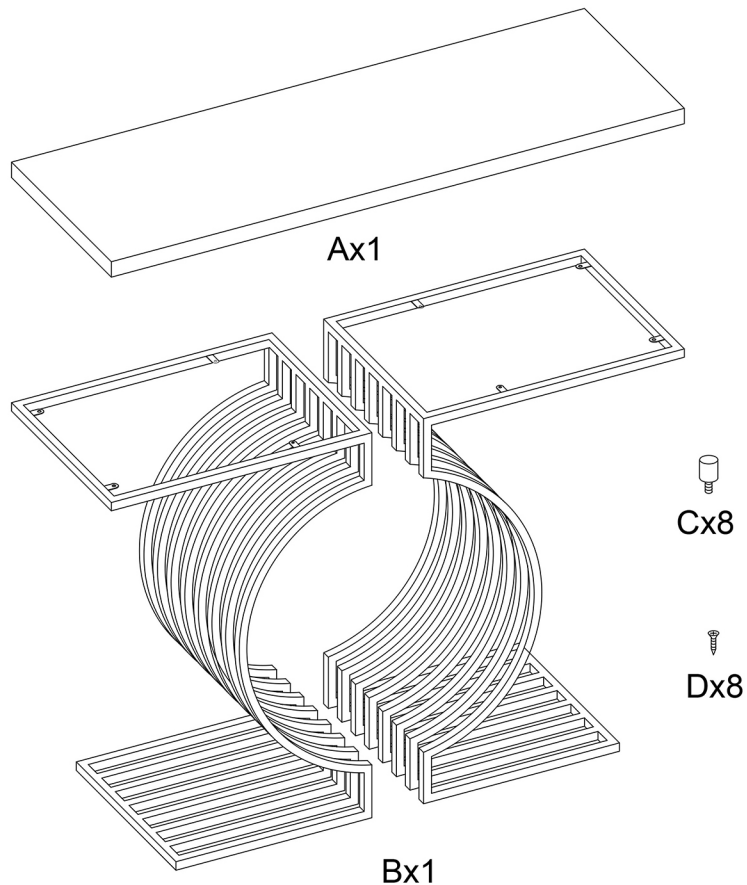
Care and Cleaning

1. To protect the finish, avoid use chemicals and household cleaners.
2. All hot serving dishes should be placed on a pad.
3. Any liquid spilled onto the top should be cleaned up immediately with a damp cloth.

Parts List

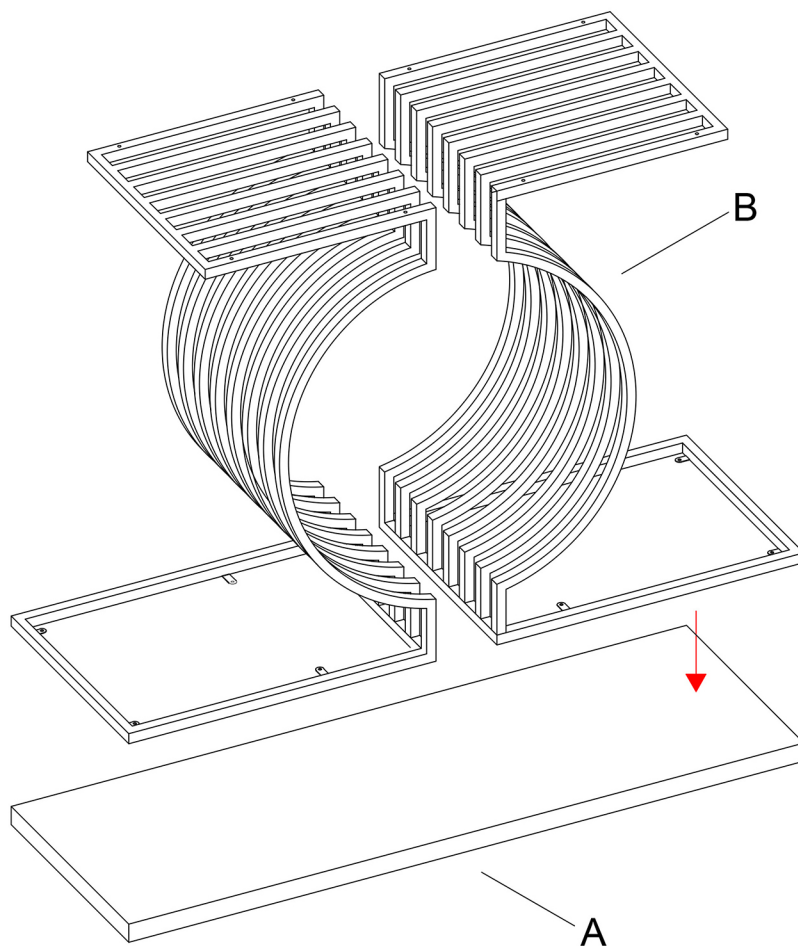


Note: From a visual point of view, it is normal for the metal base to tilt down a little. It will become level when attached to the tabletop.



Step 1

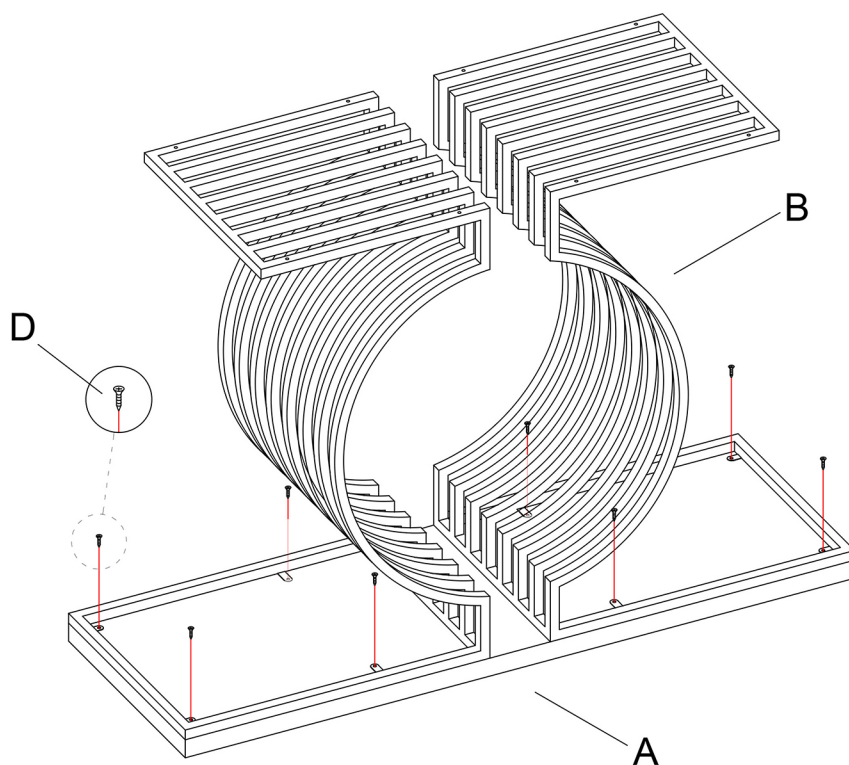
P.3/4



1. Place the tabletop (A) upside down on a clean soft. Attach the metal base (B) to the tabletop.

Step 2

D  x8

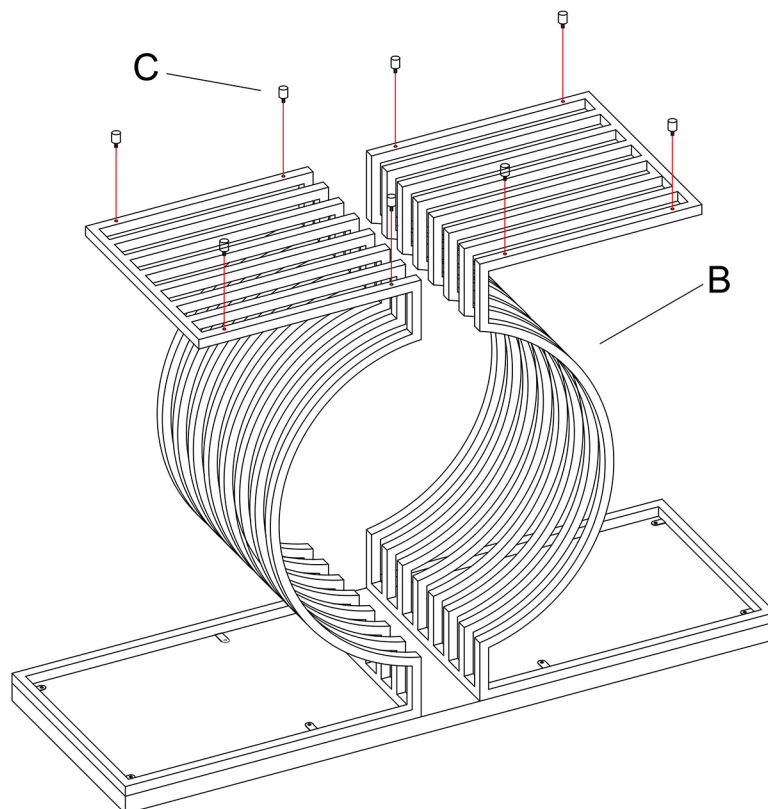


2. Align metal base (B) with the mounting holes onto the tabletop(A). Then, fix the metal base (B) to the tabletop (A) with screws (D) lightly. (**Note:** Tighten screws after all the screws are locked. Make sure the 4 innermost screws are fixed and locked in a diagonal order.)

Step 3

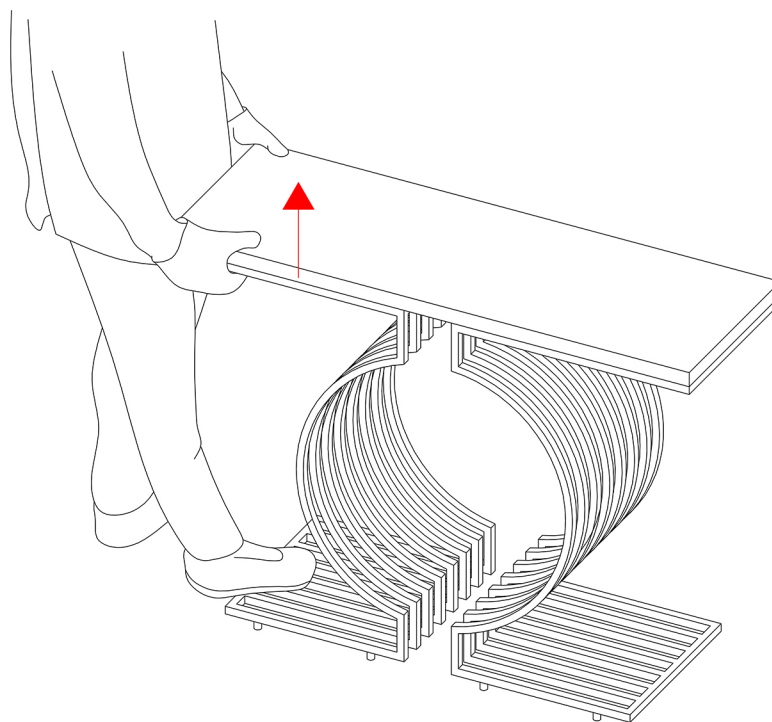
P.4/4

C  x8



3. Screw adjustable levelers (C) into the metal base (B). (**Note:** It is normal that the metal base (B) is not level at all, and it will be level after installation).

Step 4



4. Place the table in the right way (table top is upward). If the table is not level, raise the table and adjust the levelers to make it horizontal. If that still doesn't work, press the metal base with feet and lift up the tabletop with hands. (**Note:** Do not overexert, you can lift and press with small force several times.)