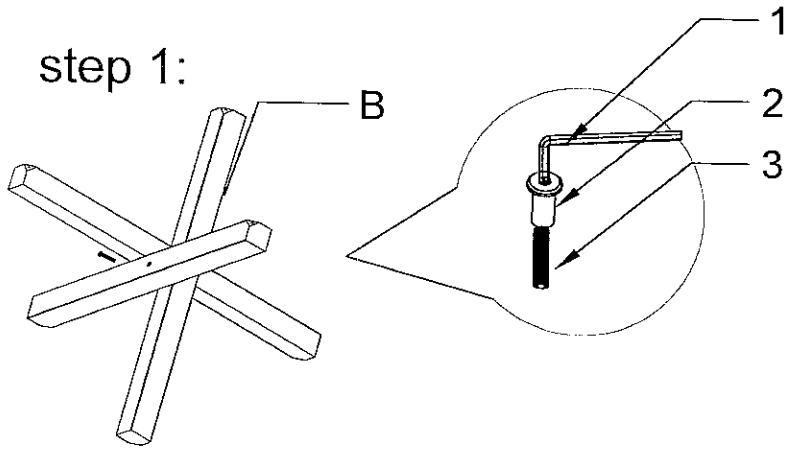


ASSEMBLY INSTRUCTION

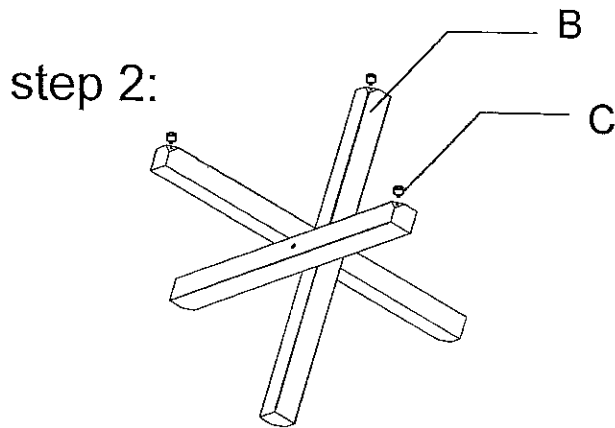
Model: 1681#

Model: dining table

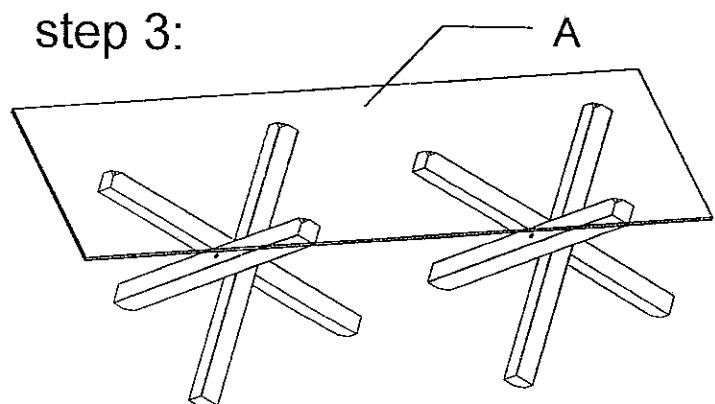
Thank you for purchasing this quality product, be sure to check all the packing materials carefully. When you received, please pay attention to the products, which may cause deformed during the shipment.



Connect Stainless steel pillar (B) by Screw (E) (M8*80), tighter, one by one



Install the round aluminum cake (C) on the stainless steel pillar (B) as shown.



Place the Table top (A) on the stainless steel pillar (B) as shown.

PART LIST

NO.	Designation	Quantity	Diagram
A	Table top	1	
B	Stainless steel pillar	6	
C	Round aluminum cake	6	

HARDWARE LIST

NO.	Designation	Quantity	Size	Diagram
1	Allen key	1	M5	
2	Screw	6	M8X25	
3	Screw	6	M8*80	