

**J021028**

**Massage Bathtub**

**Use Instruction**



## Troubleshooting

Faults	Reason	Solution
Excessive massage bathtub shaking or noise	Bathtub support is not in level, and foot screw are not tight.	Put the bathtub on the ground flatly, make support level and screw down nut
	Water pump fixation screws loosen; anti-shaking glue lost	Tighten the fixation screws; replace anti-shaking glue
	Motor bearing defective	Replace the motor

## General Description

*Thanks to choice our products! To use the products properly, please read the warning notice carefully before installation and operation. Please keep well this Use Introduction for future reference!*

Our massage bathtub features complete functions, convenient installation and easy operation, and it is the first choice for bath in such place as families and hotels etc. it is an individualized high-grade sanitary and bath facility integrating water jet massage and water therapy functions. It adopts an intelligent low-voltage circuit to control high-voltage circuit system, including water level control, over-load protection, current leakage protection functions etc. The products have been qualified EU CE safety certifications, and it is absolutely safe and reliable in operation.

On the one hand, water jet massage can promote blood circulation and fully relax the muscles in different parts of the body to eliminate fatigue, restore the strength and refresh the vigor. It also can expand capillary vessel, accelerate blood and lymph circulation to realize channels dredging, regulate qi and blood and completely remove the grease, oil, bacteria and dirt from the surface of the skin. Therefore, the skin will absorb oxygen, keep elasticity, relief fatigue, and burn fat etc. On the other hand, the fuction of water therapy is provided with relieving muscle ache, facilitating sleep and expediting recovery from illness, soothing the spirit, calming the mind, moisturizing the hair and skin, removing the body odor, and regulating the respiratory tract. Depending on the medicine in the massage, different formula will have different effects. Proper use of the product will effectively delay the aging process of the whole physiological function. (Please consult relevant doctors for using medicine)

## Product Features

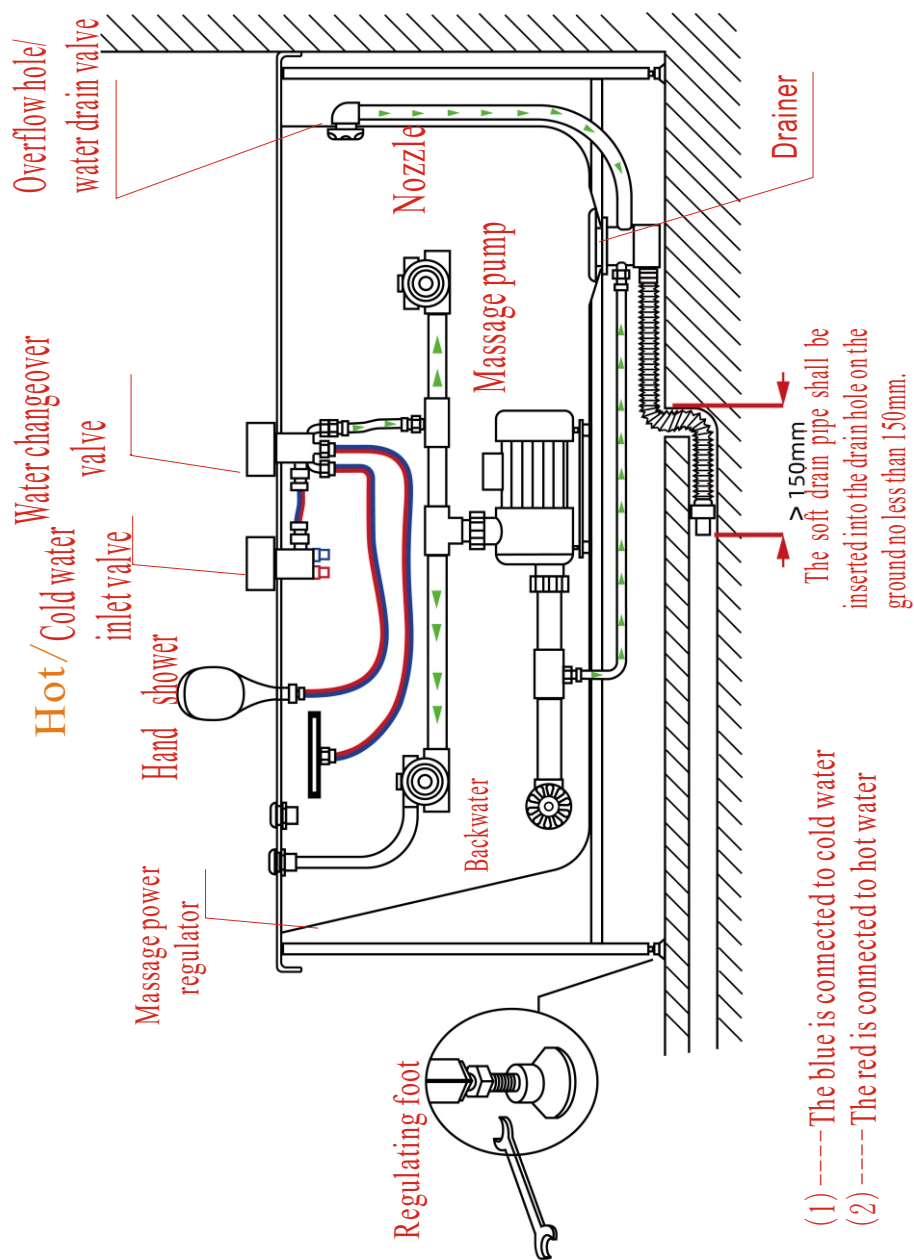
- \* Imported environmental friendly acryl boards with smooth finish and easy to clean.
- \* Pipe arrangement is simple and reasonable; all water pipes are made of environment PVC pipes, and can prevent deodorization and mildew.
- \* The power plug is equipped with a leakage circuit breaking protection device, which can cut off the power automatically if there is an electric leakage, so is safer to use.
- \* Equipped with a pneumatic switch for easy operation (computer control panel is available). the desired function can be started by pressing the relevant button lightly.
- \* The massage pump, which is driven by a famous brand air-cooling motor, has powerful water power massage function; the advanced water level detection system is used to ensure more stable and durable.
- \* With an automatic pipe cleaning system, it can wash the pipe and nozzle, and the residual dirt of the last use of the tub when pipe running water.
- \* The bathtub is equipped with an automatic drainage system, which can drain off the accumulated water in the pipe and the pump during draining the water in the bathtub to keep the pipe and the pump clean!
- \* The water tap, which is completely made of pure copper, can be used to adjust the cold/hot water temperature as you like, and it also has sprinkling and waterfall functions.
- \* The massage nozzles have chromium-plated copper covers to keep long-lasting brightness. The nozzle are positioned according to the standard physiological curve of the human body, so that different parts of the body, including the feet, the back, and both sides of the body, can be massaged by the water jet; the rotary air regulator can be used to change water spray power at will, and you can freely enjoy the bath as you like!

## Troubleshooting

In order to have better performance of this product, the bath tub shall be maintained and operated correctly. Incorrect operation may make the product defective. If the product is defective, please refer to the following table. If the fault can not be solved still, please contact the dealer or authorized repairing unit.

<b>Faults</b>	<b>Reason</b>	<b>Solution</b>
<b>Water pump fails to run</b>	Leakage protection plug is not connected	Connect to power
	Leakage protection switch trips	Press reset key
	Air pipe of pneumatic switch breaks off or leaks	Re-connect or change the air pipe
	Pneumatic switch is damaged	Change the pneumatic switch
	Lower water level	Fill water to the normal level (exceeding top of nozzle 50mm)
Pump runs normally but no water flows out from nozzle	Exhaust the pump	Start the pump several times; if still failure, turn on the active pipe joint on pump head and exhaust the pump.
Pump runs normally but water pressure is low	Water return mesh is blocked	Clean the water return mesh and ensure smooth water pumping
	Voltage is lower	Waiting the voltage goes to normal
Under water lamps not working	Transformer is burnt	Change the transformer
	Loose lamp wire	Check the wire and re-insert the plug.
Slow water inlet	Insufficient water pressure	Check water inlet and supply pipes
	Cold/hot inlet valve is blocked	Clean tap core and filter
Close the cold/hot inlet valves, but the water still flows out the faucet.	Cold/hot inlet valve core is damaged	Replace the tap
	Water divider fails to work	Replace the tap

## Water Route Schematic Diagram of Massage Bathtub



## Product Features

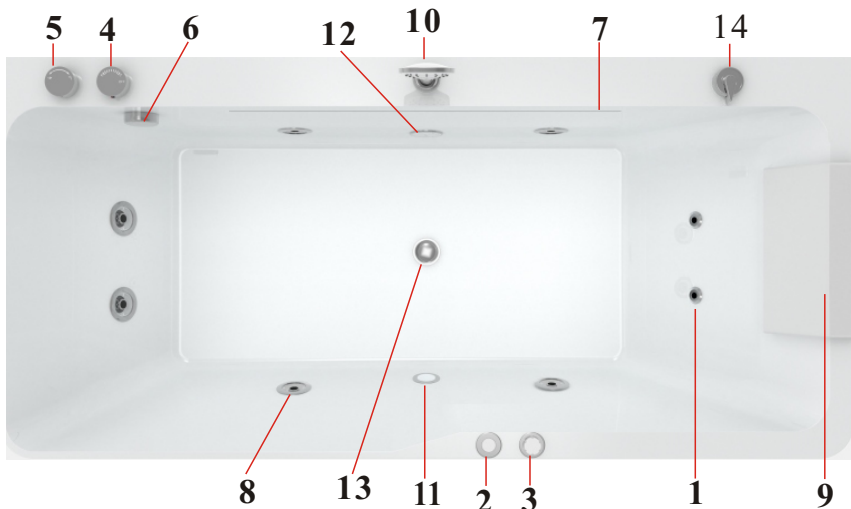
- \* The underwater lamp is adopted the auto color shifting LED light with 12V low voltage, and it will provide a romantic atmosphere in the bathroom!
- \* The bracket is completely connected by the pure stainless steel which can maintain for longer service life.
- \* The functions such as bubble bath, constant temperature, deluxe digital panel (incl. FM radio, out side CD player) and TV can be provided as customers required.

## Packing List

1. Bathtub 1 piece (incl. motor, nozzles, tap and other accessories).
2. Pillow: 1 piece for one man bathtub, 2 pieces for two people bathtub.
3. Stopper and portable shower head, 1 pieces for each one.
4. Uses Manual, 1 copy for each one.

※ Our products have been checked through strict quality control and inspection before delivery. Please check the bathtub if there is any damage during transport after unpacking, and check the specification, model, size and color of the bathtub if they conform to your order. If the problems are found, please contact the dealer in time.

## Introduction of Functions



- |  |                                       |
|--|---------------------------------------|
| 1. Back massage nozzle                 | 9. Pillow                             |
| 2. Massage start switch                | 10. Portable shower head              |
| 3. Massage power regulator             | 11. Underwater lamp                   |
| 4. Water changeover valve              | 12. Water return of pump              |
| 5. Cold/ Hot water inlet valve         | 13. Water drainer                     |
| 6. Water drain valve/<br>Overflow hole | 14. Big waterfall outlet adjust swith |
| 7. Big waterfall outlet                |                                       |
| 8. Side massage nozzle                 |                                       |

## Technical parameters

### Standard Electric Parameters

Rated voltage	AC220~240V/50 Hz	<input type="checkbox"/>
	AC110~130V/60 Hz	<input checked="" type="checkbox"/>
	AC220V/60 Hz	<input type="checkbox"/>
Massage pump	0.75 KW	<input type="checkbox"/>
	_____ KW	<input type="checkbox"/>
Underwater lamp		<input type="checkbox"/>
Optional devices		<input type="checkbox"/>
	_____ KW	<input type="checkbox"/>
		<input type="checkbox"/>
	_____ KW	<input type="checkbox"/>
Rated gross power		<input type="checkbox"/>
	_____ KW	<input type="checkbox"/>

### Standard Water Supply Parameters

Rated water pressure	0.8~1.0MPa
Rated water flow	8-10L/Min
Water inlet pipe size	3/8"
Drain water pipe size	1.5"
Water Capacity	150Liter-200Liter

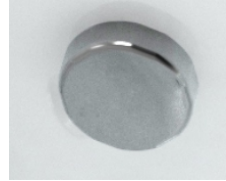
## Guide for Use

\* When using the tub, firstly turn the water drain valve to close the bathtub drain hole; then turn on the cold/hot water inlet valve and regulate to desired temperature; and then turn the changeover valve to the level of waterfall or pipe inlet, and lastly fill water into the bathtub.



Water  
changeover valve

Hot/Cold water  
inlet valve



Water drain valve

\* During filling water into the bathtub, the cold/hot water inlet valve can be turned off when water level reaches about 5cm near top of the nozzle.

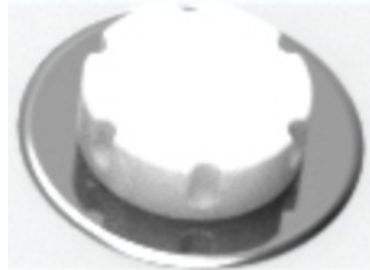
\* When massage function is required, press the massage start switch to enable the massage system; press the switch again to turn off the underwater lamp and massage system (if a control panel is available, please refer to relevant instructions).

\* Turn the massage power regulator to change water power of massage nozzles to what you require.

\* When draining water, turn the water drain switch and exhaust the water inside the bathtub and water pipes.



Massage power regulator



Massage start switch

## Introduction of Functions

1. Back massage nozzle: To massage back of a person.
2. Massage start switch: Only one air pipe in the switch is connected to water pump, and water pump can be started by air pressure. Press once to start and press again to stop (or using digital control panel).
3. Massage power regulator: To regulate the power of water spray.
4. Water return of pump: To be used as outlet when the massage pump works
5. Bottom massage nozzle: To massage leg backs with powerful water spray (not available for some bathtub types)
6. Foot massage nozzle: To massage soles of feet.
7. Water drain valve/overflow hole: When drainage is necessary, turn on the switch to open the water stopper of the drain; when filling water into bathtub up to this position, water may be drained to sewer.
8. Water outlet: Water drain of the bathtub. If it cannot be closed by turned off the water drain valve, the screw at the back of the stopper can be regulated till it fully seals.
9. Side massage nozzle: To massage both side of a person.
10. Pillow: Each bathtub has exclusive type of pillow.
11. Skirt fixation screw: The screws shall be relaxed when detaching the bathtub skirt. Any force of pressure may cause the fracture of bathtub edge or apron plate. so please twist screw off carefully if it is necessary to take bathtub apron apart.
12. Cold water inlet valve: To regulate cold water supply when filling water into bathtub.
13. Water changeover valve: To select a water supply manner through shower head, waterfall or pipe when filling water into bathtub.

## Introduction of Functions

14. Hot water inlet valve: To regulate hot water supply when filling water into bathtub.
15. Portable shower head: A movable shower head, equipped with a 2m length hose.
16. Underwater lamp: When massage function is enabled or disabled, colorful underwater lamps can be turned on or off.
17. Bathtub body: Main body of bathtub, made of acryl.
18. Skirt: Skirt of bathtub, made of acryl.

## Notices for Installation and Operation

1. For your safety, please read the User Manual carefully before using and installing the product. The power plug must have an earth wire, and the motor shell and the metal rack must be properly grounded.
2. To prevent scalding, please turn on the cold water valve prior to the hot water valve upon injecting water into the bathtub and regulate proper water temperature.
3. The blue and red inlet pipes indicate cold and hot water respectively, and shall not be connected wrong.
4. If any scratch or damage is found with the bathtub during use, please mill it with No.1500-2000 waterproof abrasive paper, then use toothpaste and a piece of soft cotton to burnish till it's shining.
5. When the bathtub is not used for a long time, please clean it and cut off the power to prevent dirt formation on the surface of the bathtub and the tap.

## Installation Instructions

6. Fit accessories: Connect portable shower head (as shown in Fig.6) and fit the water stopper.
7. Check and clear up  
After completing above steps, check each pipe joint to see if it is well sealed; then remove impurities inside the bathtub; open the drainer and clean it with water in order to prevent impurities from being sucked into the pump and blocking the pipe or nozzles.
8. Fill in water and test  
Making sure all impurities in the bathtub are removed, please close the drainer and fill water into the bathtub to check water leakage of the bathtub and each joint; when water level is higher than the level detector, start all functions and check if they work normally (if there is any abnormality, please contact your local dealer); after making sure that all functions are normal, push the bathtub to the wall and seal the seam between bathtub and the wall with glass glue,(as shown in Fig.7) in order to prevent water on the bathtub surface from leaking into the bathtub and damaging the electric parts.

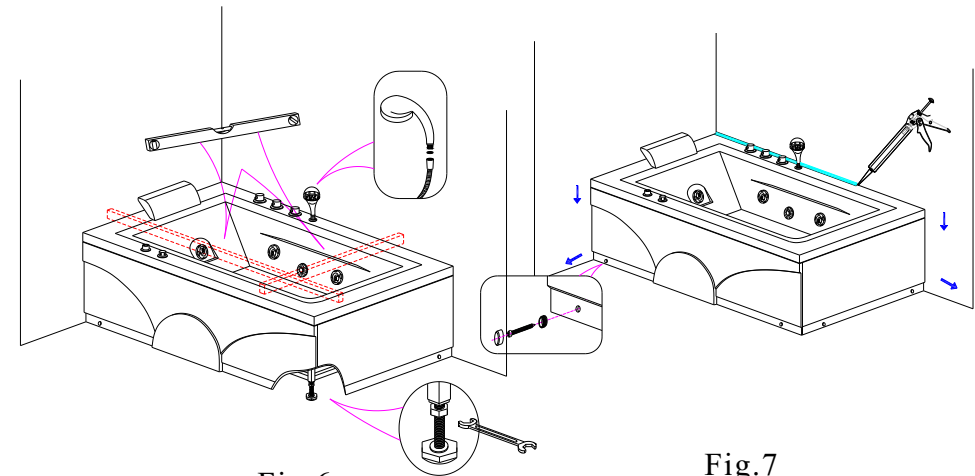


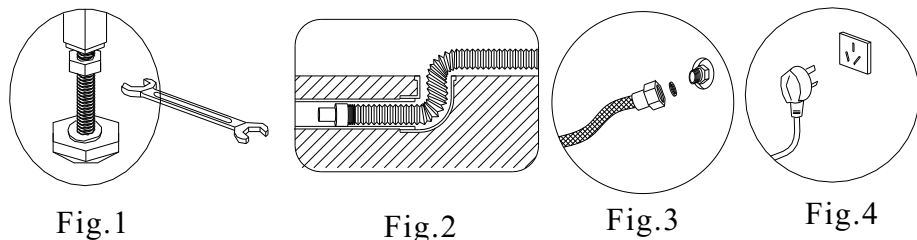
Fig.6

Fig.7

**Note: For some bathtub types, fitting some accessories needs the removal of skirt, as per the method given in Fig.7.**

## Installation Instructions

2. Adjust the bathtub levelness (the water at the bottom of the bathtub cannot be drained off completely if the bathtub is not well leveled). Put the bathtub on the installation position; in case of uneven ground, measure with a spirit level (as shown in Fig.6), adjust the bathtub feet to keep the bathtub in a level position, and all feet well contact with the ground, then tighten the foot-adjusting screws (as shown in Fig.1).



### 3. Connect intake pipes

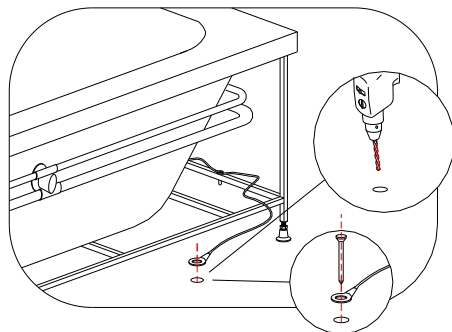
The drain pipe located at the bottom of the bathtub is a 1.5" throat PVC pipe; it can be bent at any angle. During connecting, directly insert it into the drainage outlet on the ground and the inserted depth should not be less than 150mm (as shown in Fig.2). Do not bend the pipe so as avoid blocking water drainage.

### 4. Connect intake pipes

Intake pipes are temperature resistant reticulated pipes (as shown in Fig.3) and shall be connected as per the mark at the joints. The red one connected to hot water, and the blue one to cold water; add a filter at the joint to prevent impurity in water damaging the valve core of bathtub tap; fit a valve at each of the hot and cold water supplies to ease operation and maintenance in the future.

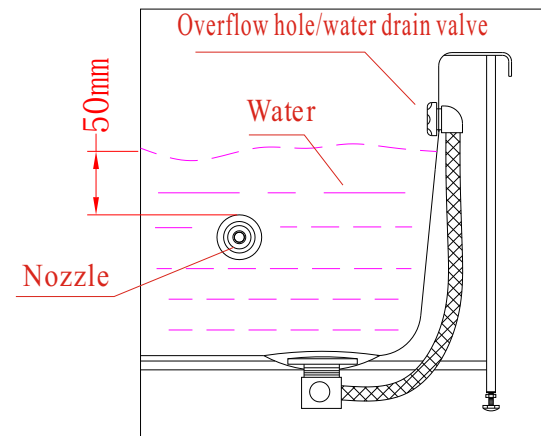
### 5. Connect power supply

Directly insert the plug into the outlet (as shown in Fig.4); for the yellow-green earth wire at the backside of bathtub, drill a hole at the ground near the wall and nail the earth wire on the ground (as shown in Fig.5).



## Notices for Installation and Operation

6. The bathtub is provided with a water shortage protection function. Only when water level exceed the top of the massage nozzles about 50mm when starting the pump, can the massage function be activated! (as shown in the following diagram)



7. During using the bathtub, please donnot arbitrarily block the water outlet or use other electric appliance in order to prevent electric shock!

8. To ensure safety, children must be accompanied by their parents or adults when using the bathtub, and no one is allowed to use the bathtub after drinking!

9. Upon detaching or installing the bathtub, it's prohibited to cut off internal wires or change interior circuit, otherwise, the company shall not be responsible for any electric failure or electric shock accident resulted herefrom.

10. During installation, the surface of the bathtub shall be covered for protection to prevent from being impacted by heavy objects or stained by dirt.

11. The drain pipe shall be inserted into the drainage way at least 150mm, and the drainage way shall be properly designed to ensure smooth drainage and meet the requirement of maximum discharge capacity.



