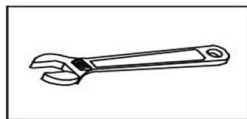
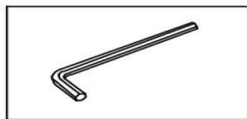


## Entryway Benche Installation

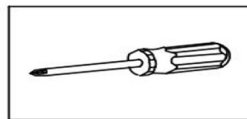
### Tools You May Need:



Adjustable Wrench



Hexagon Wrench



Philips Screwdriver

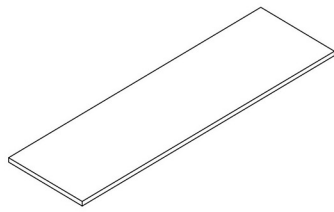
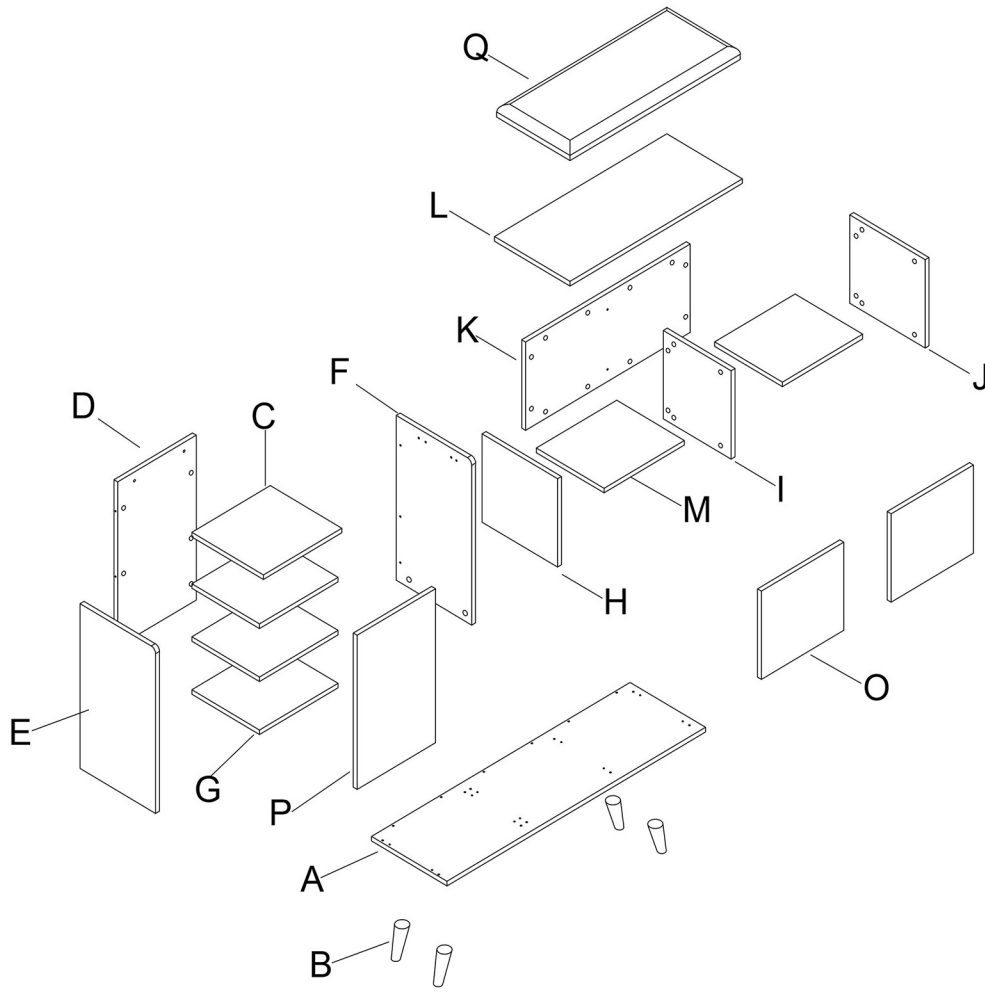
### Before the Installation

1. Do not throw away packing materials until assembly is complete for small parts may come loose inside the carton during shipment. If parts are missing, please contact us.
2. Assemble this item on a soft surface, such as carpet to protect the finish.
3. Proper assembly of this item requires 2 people.
4. Periodically check to ensure that all connections are tight.
5. It is recommended that installation of the product be done by a qualified licensed furniture assembler.

### Care and Cleaning

1. To protect the finish, avoid use chemicals and household cleaners.
2. All hot serving dishes should be placed on a pad.
3. Any liquid spilled onto the top should be cleaned up immediately with a damp cloth.

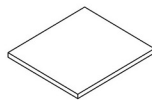
# Parts List



Ax1



Bx4



Cx1



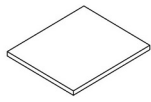
Dx1



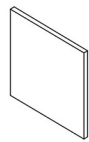
Ex1



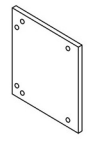
Fx1



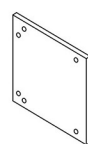
Gx3



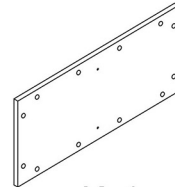
Hx1



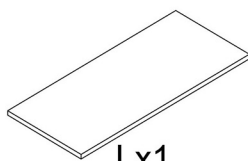
Ix1



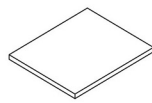
Jx1



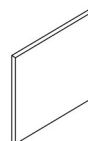
Kx1



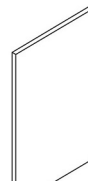
Lx1



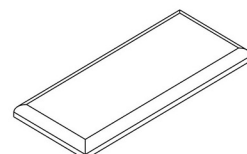
Mx2



Ox2



Px1



Qx1



Rx44



Sx44



Tx4



Ux22



Vx20



Wx36



Xx6



Yx6



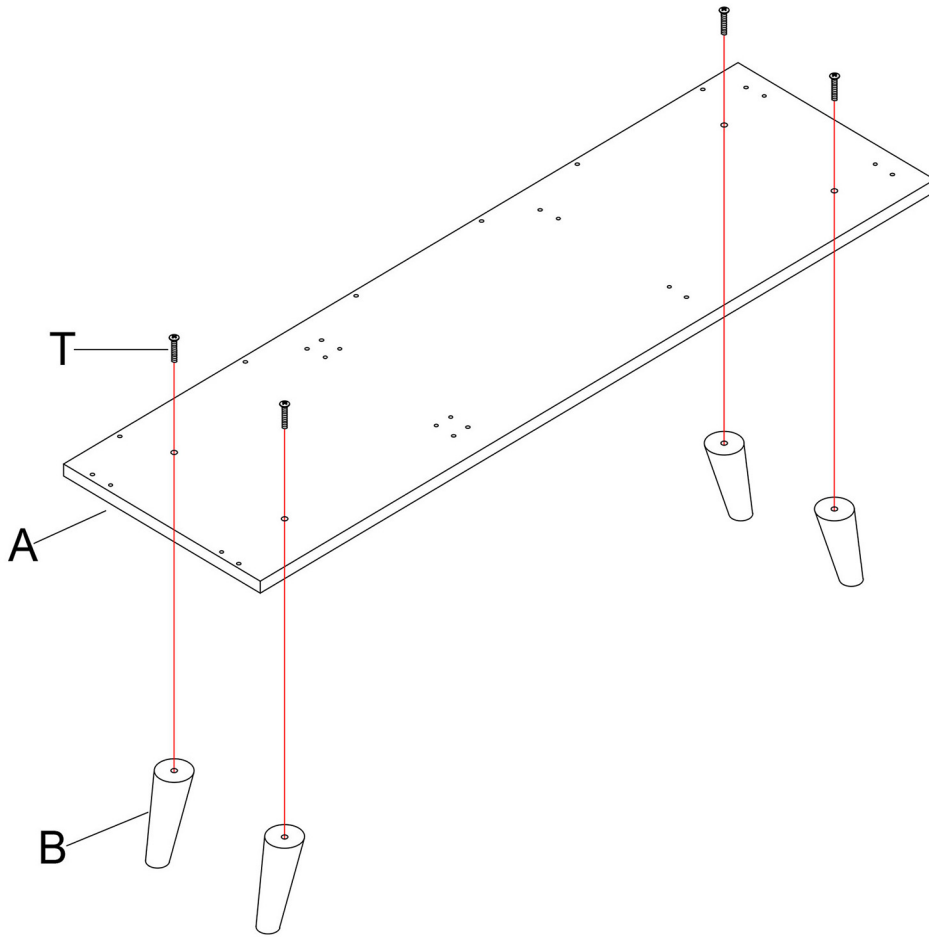
Z1x2



Z2x1

# Step 1

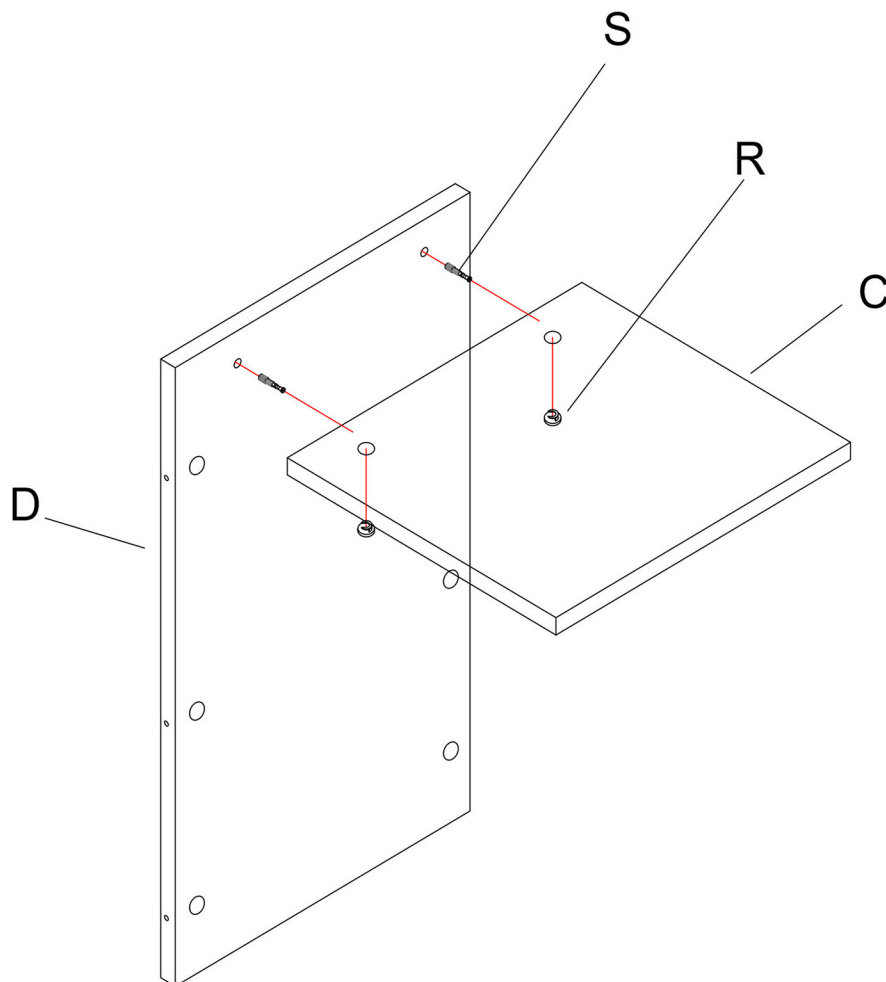
T  x4



# Step 2

R  x2

S  x2



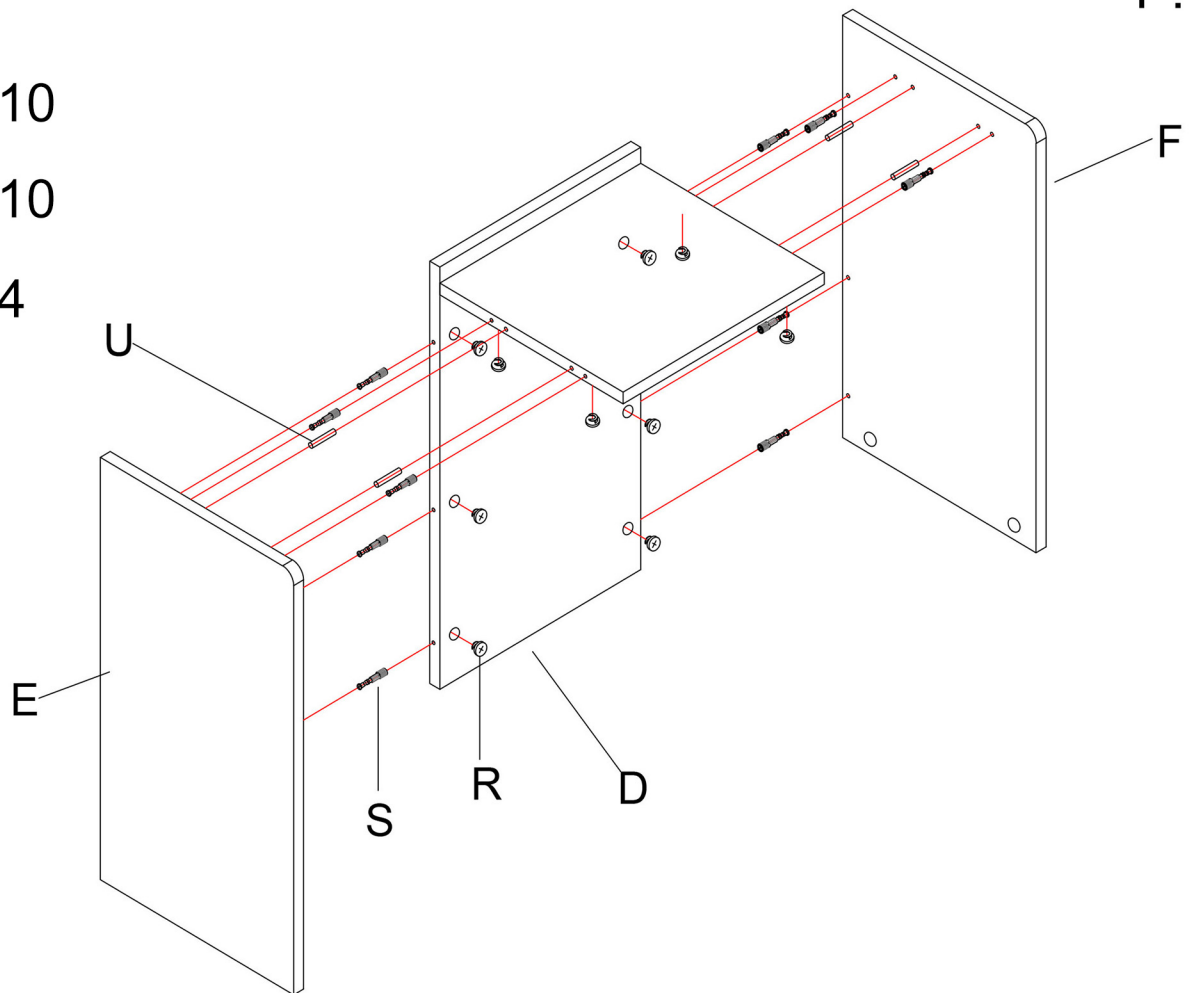
### Step 3

P.4/8

R  x10

S  x10

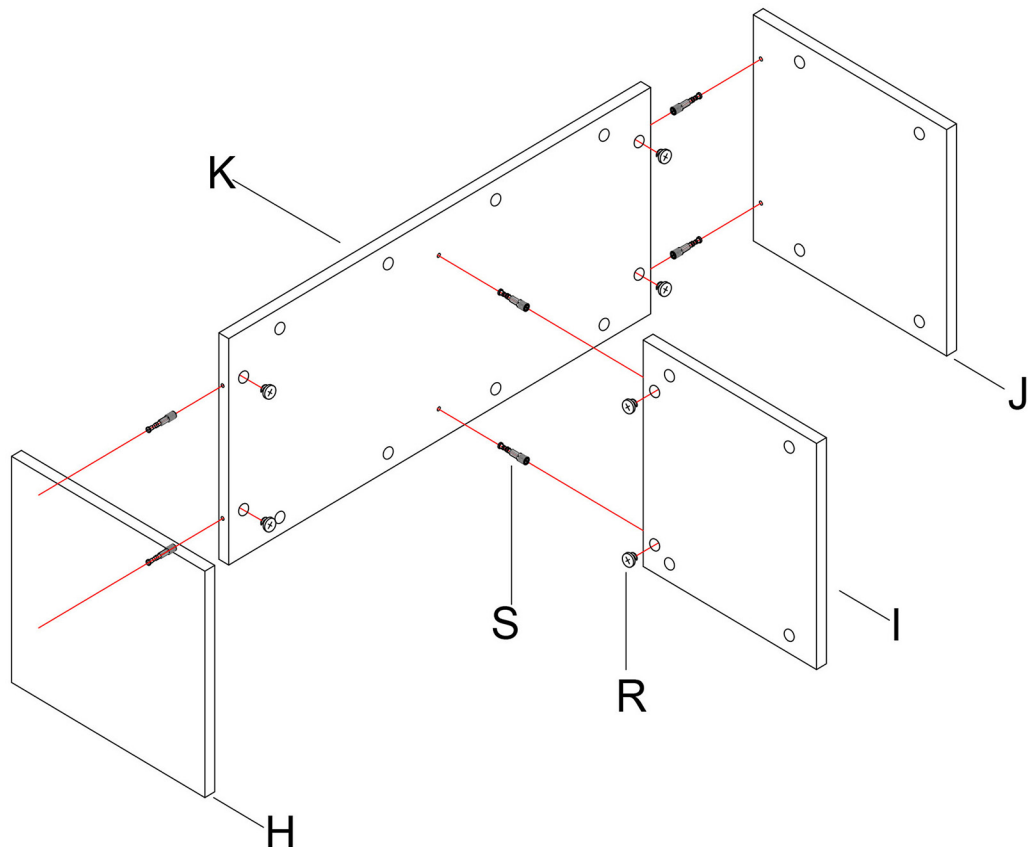
U  x4



### Step 4

R  x6

S  x6



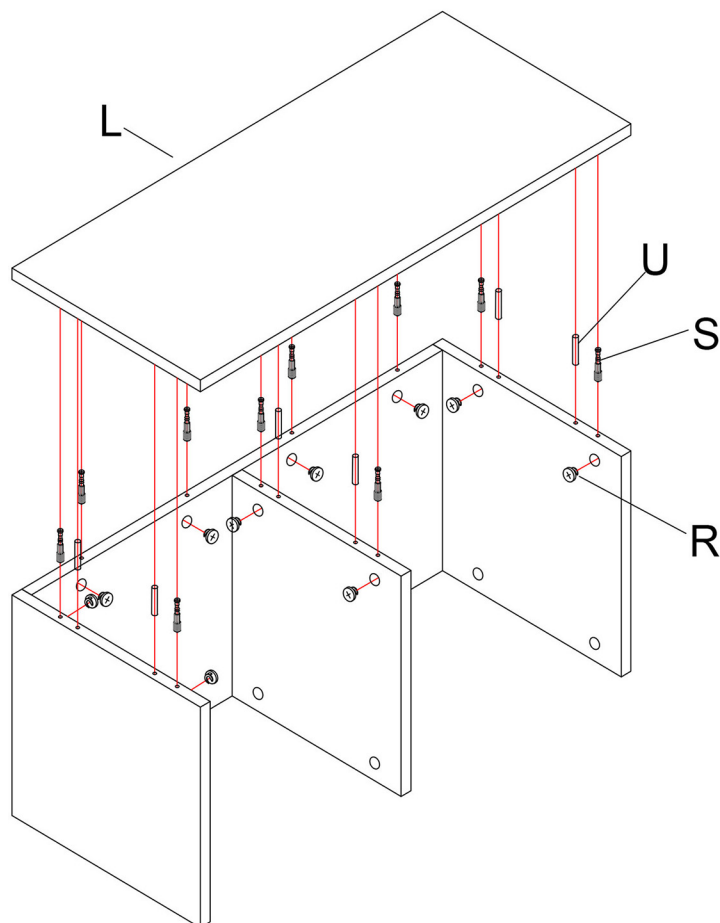
## Step 5

P.5/8

R  x10

S  x10

U  x6

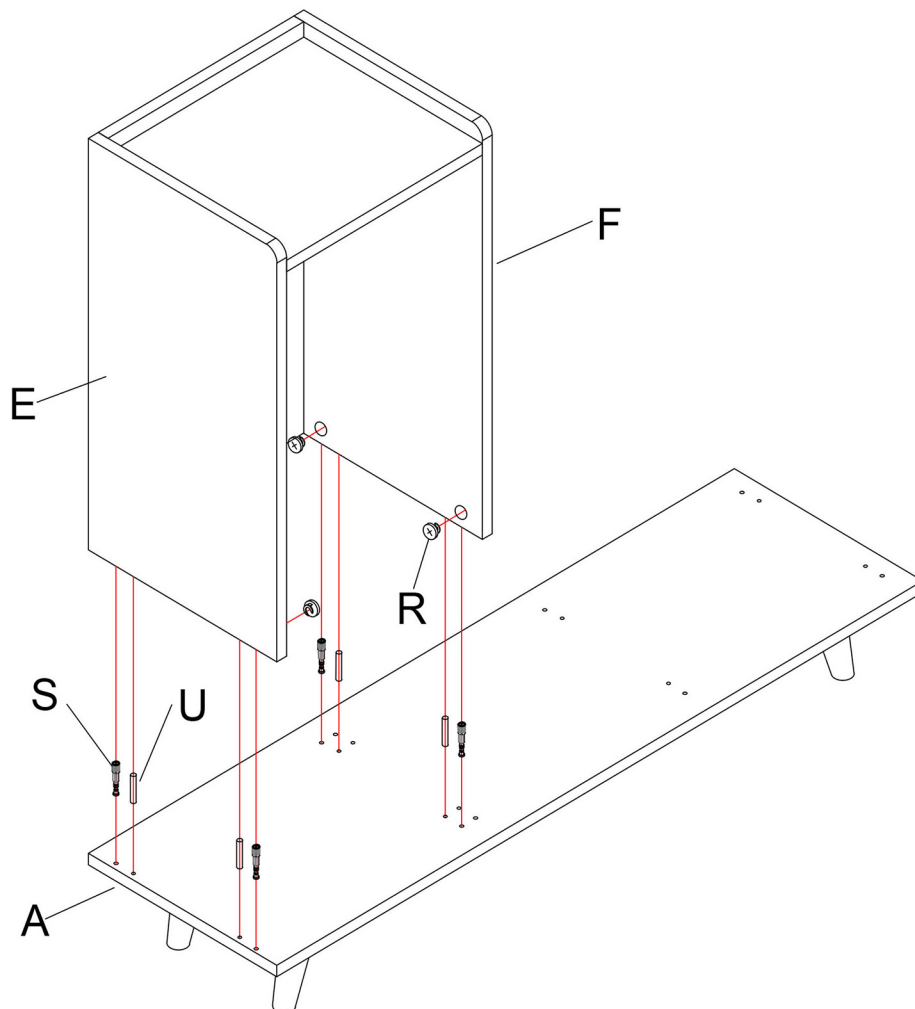


## Step 6

R  x10

S  x10

U  x6



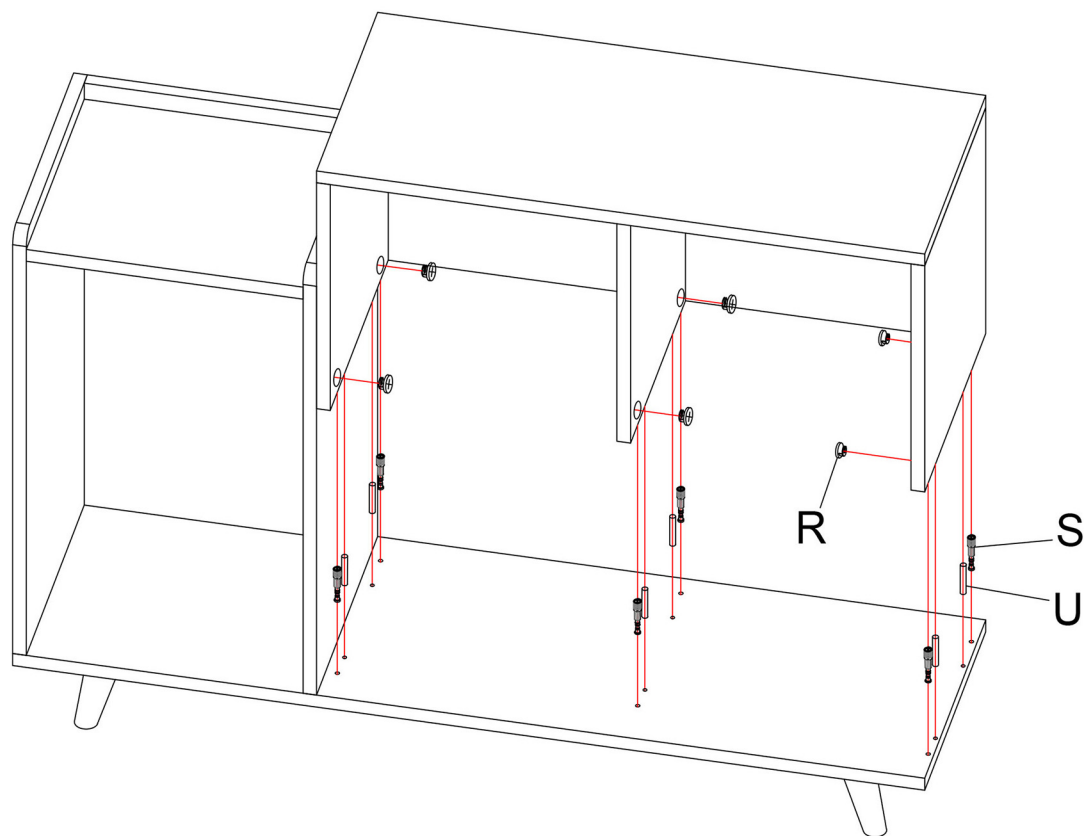
## Step 7

P.6/8

R  x6

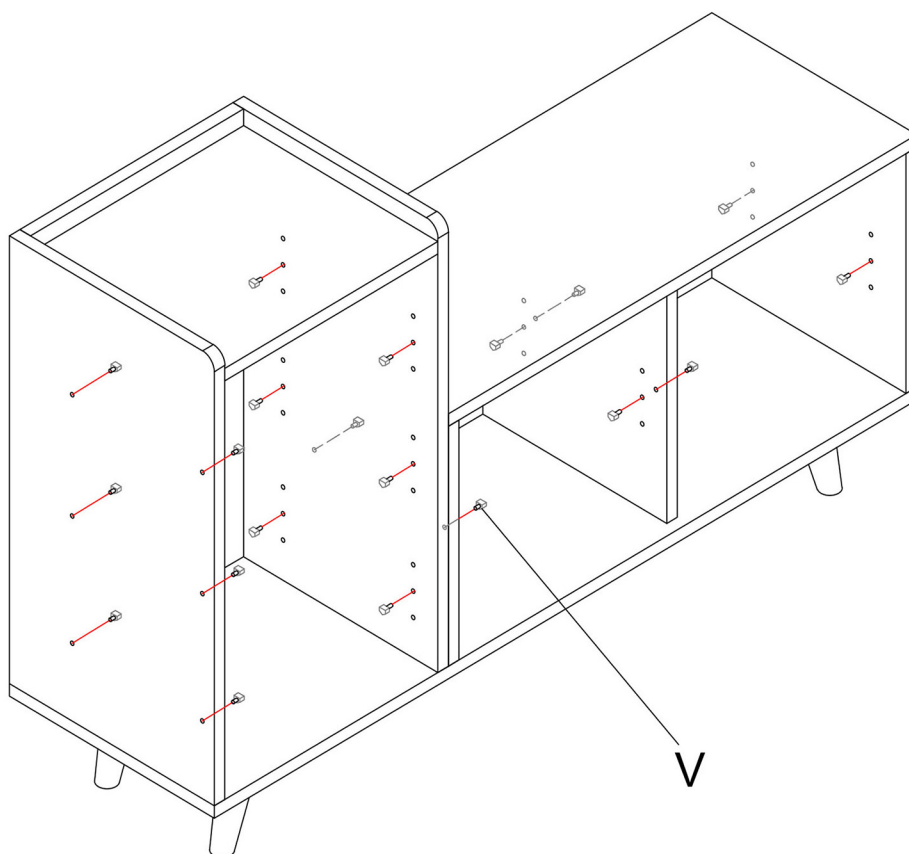
S  x6

U  x6

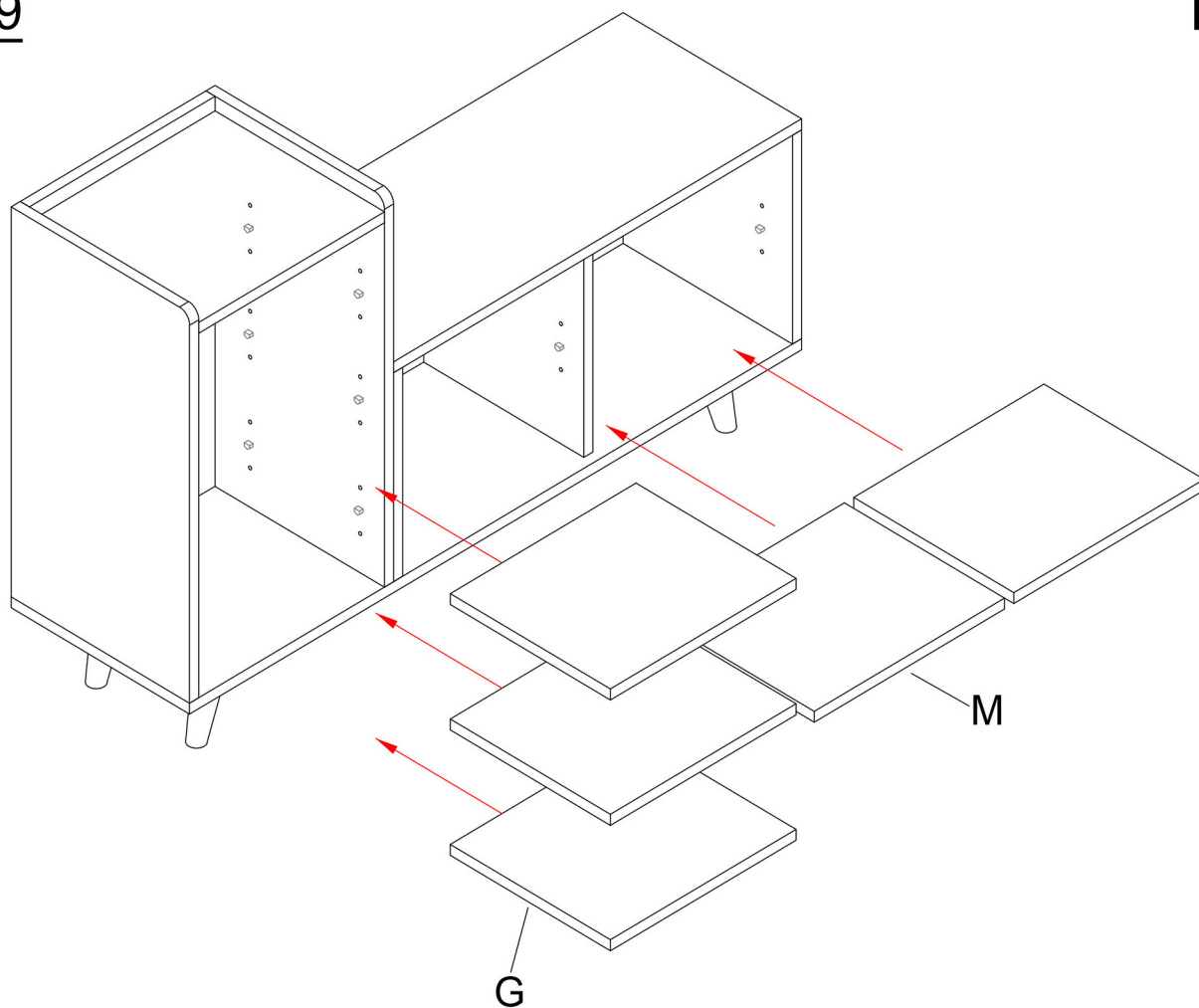


## Step 8

V  x20



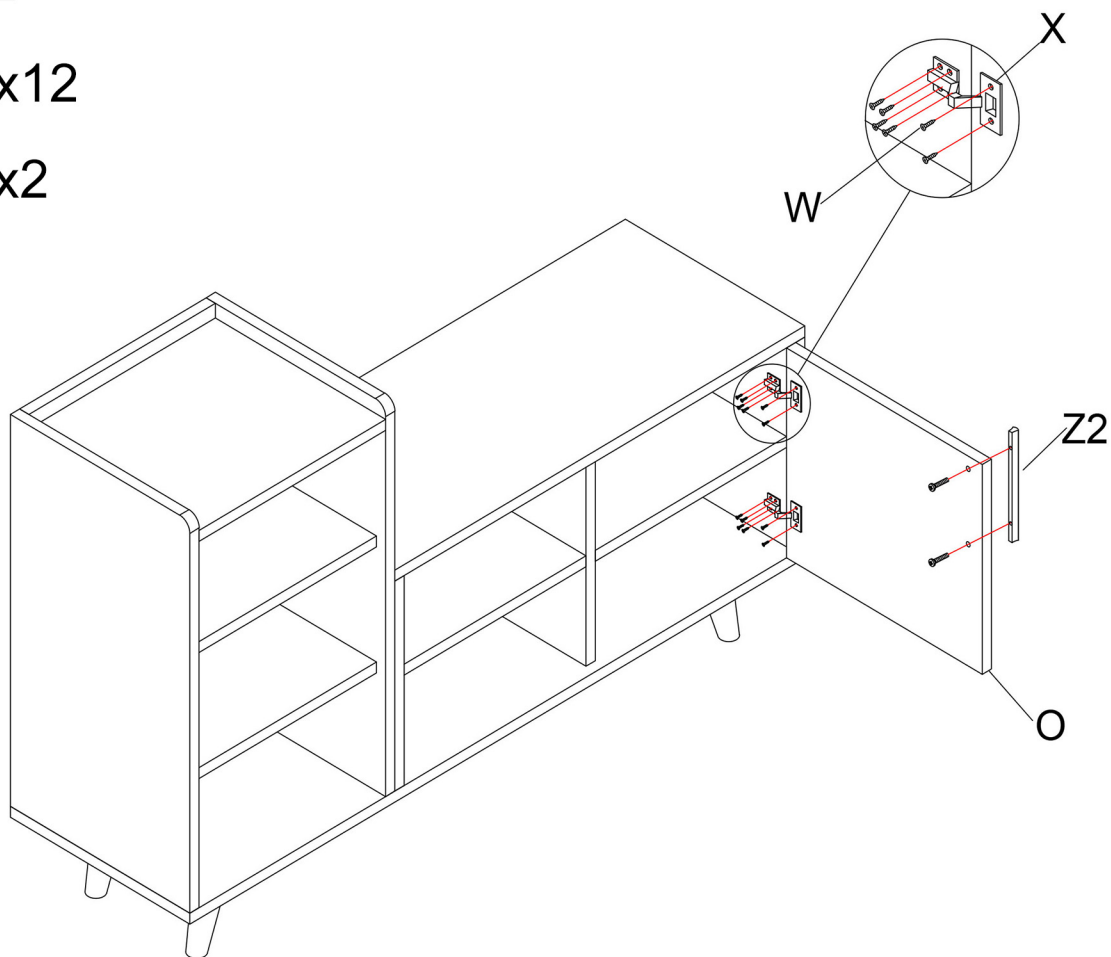
# Step 9



# Step 10

W  x12

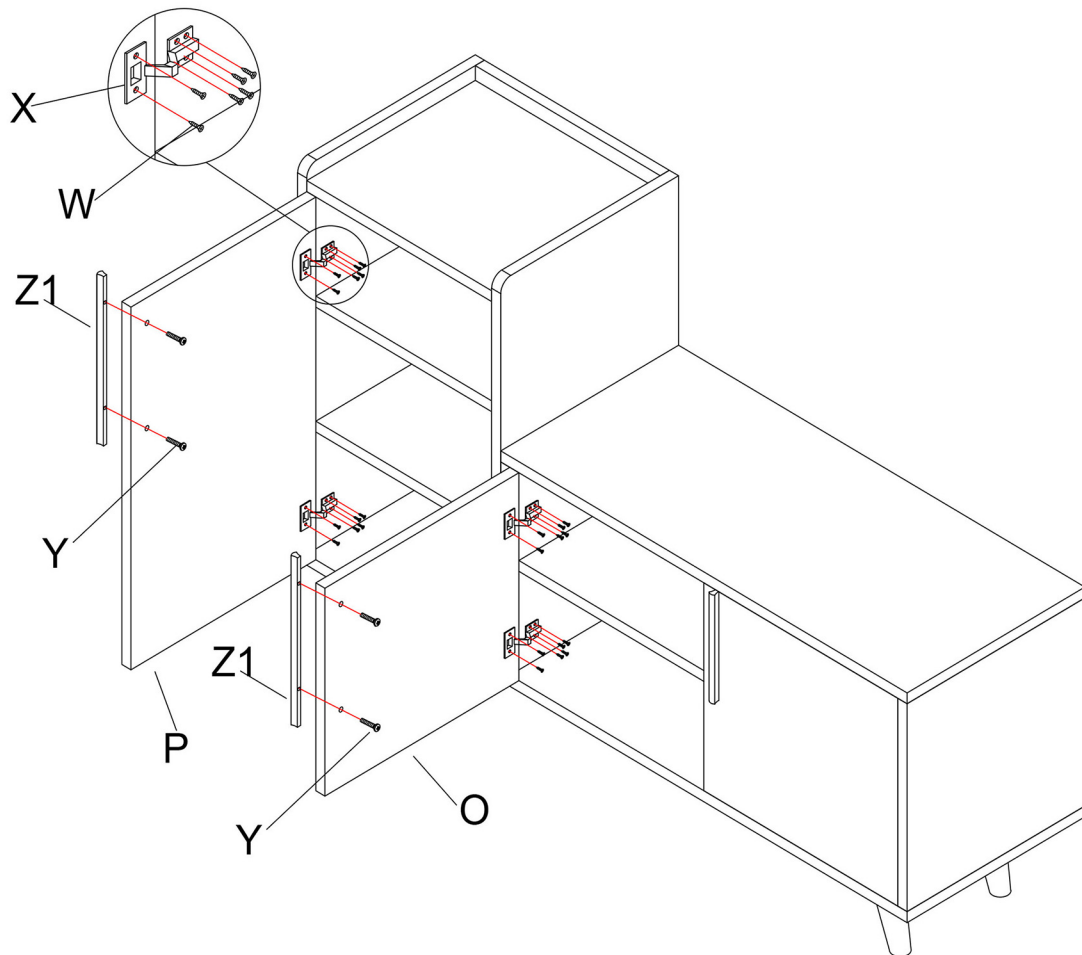
Y  x2



# Step 11

W  x24

Y  x4



# Step 12

