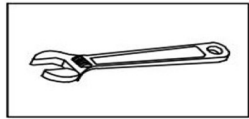
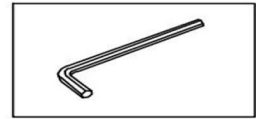


Dining Table Installation

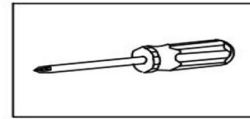
Tools You Will Need: Tools You May Need



Adjustable Wrench



Hexagon wrench



Philips Screwdriver

Before the Installation

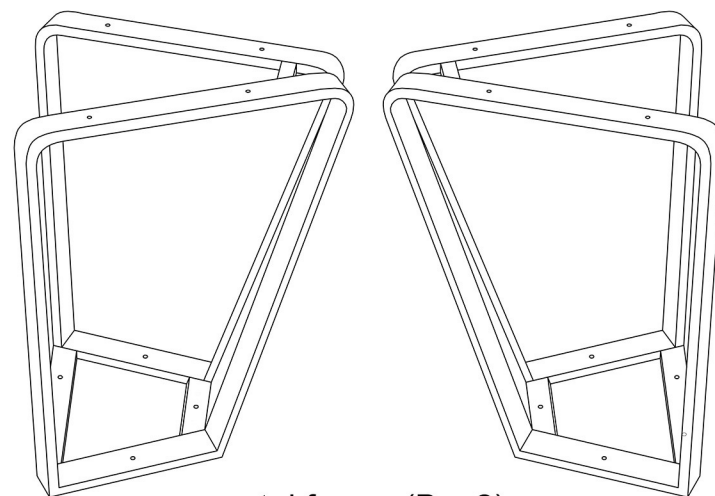
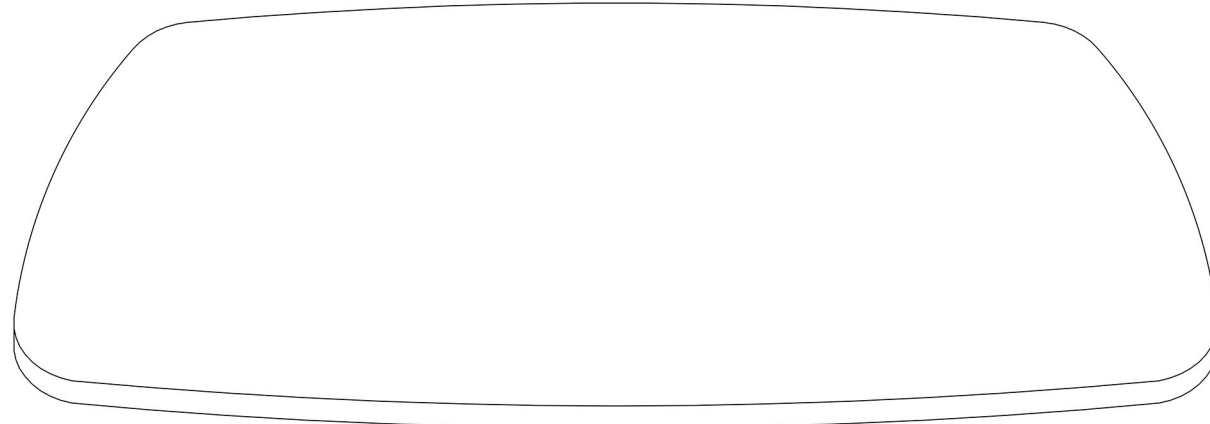
1. Do not throw away packing materials until assembly is complete for small parts may come loose inside the carton during shipment. If parts are missing, please contact us.
2. Assemble this item on a soft surface, such as carpet to protect the finish.
3. Proper assembly of this item requires 2 people.
4. Periodically check to ensure that all connections are tight.
5. It is recommended that installation of the product be done by a qualified licensed furniture assembler.

Care and Cleaning

1. To protect the finish, avoid use chemicals and household cleaners.
2. All hot serving dishes should be placed on a pad.
3. Any liquid spilled onto the top should be cleaned up immediately with a damp cloth.

Parts List

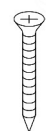
table board (A x 1)



metal frame (B x 2)

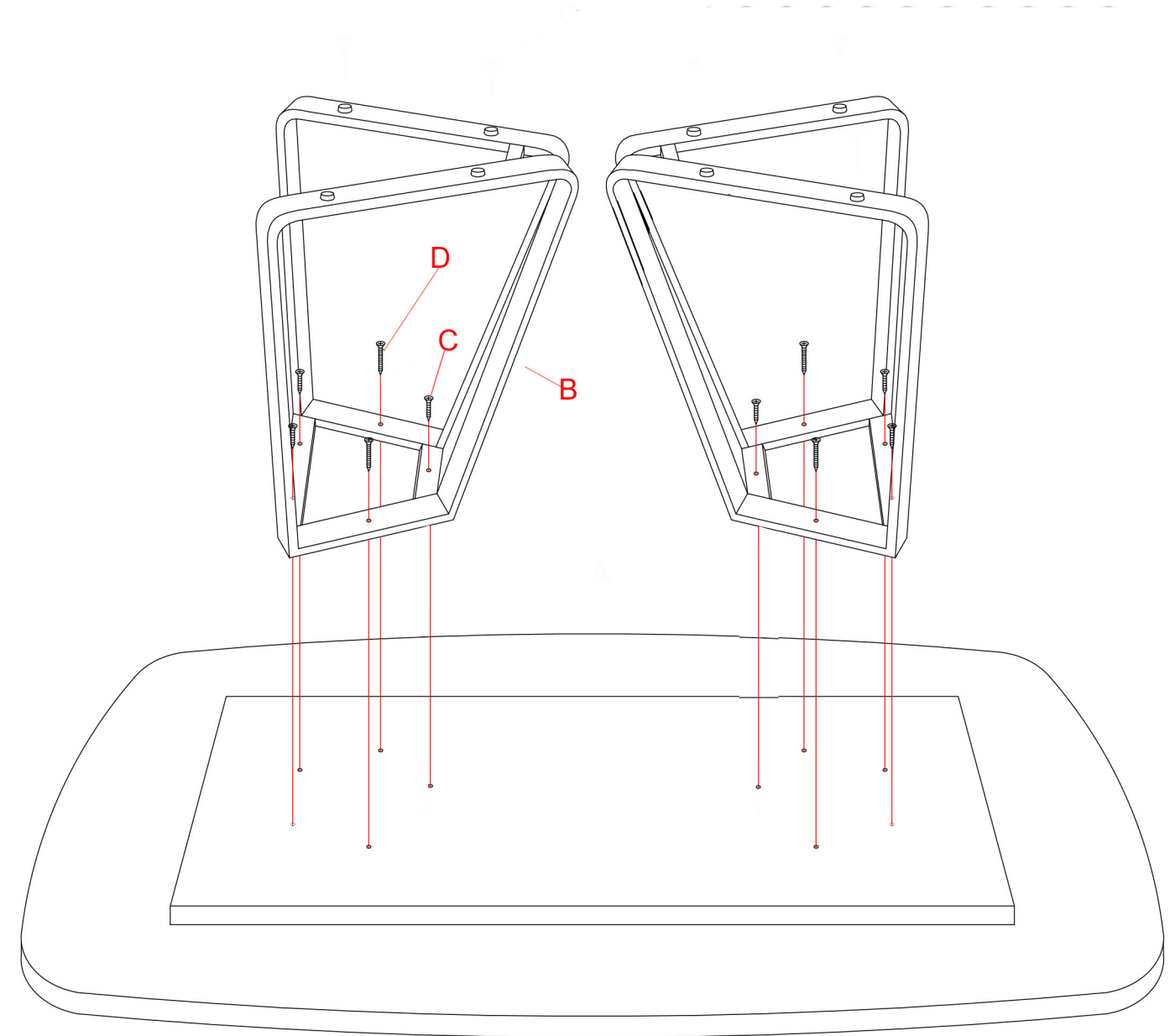


Cx6



Dx4

Installation Guide



1. Put the table board (A) down to the clean floor (to avoid the board surface being scratched) with the holes on and align the metal frame (B) with the board hole by hole. Fix them together by tightening the screws (C,D) with a screw driver (not included). Stand the table board up.

Note: Do not fully tighten all bolts until all parts are in place. Failure to follow these instructions may cause the bolt to misalign during assembly.