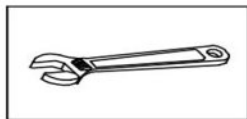


Dining Table Installation

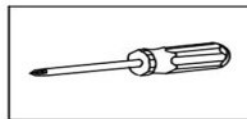
Tools You May Need:



Adjustable Wrench



Hexagon Wrench



Philips Screwdriver

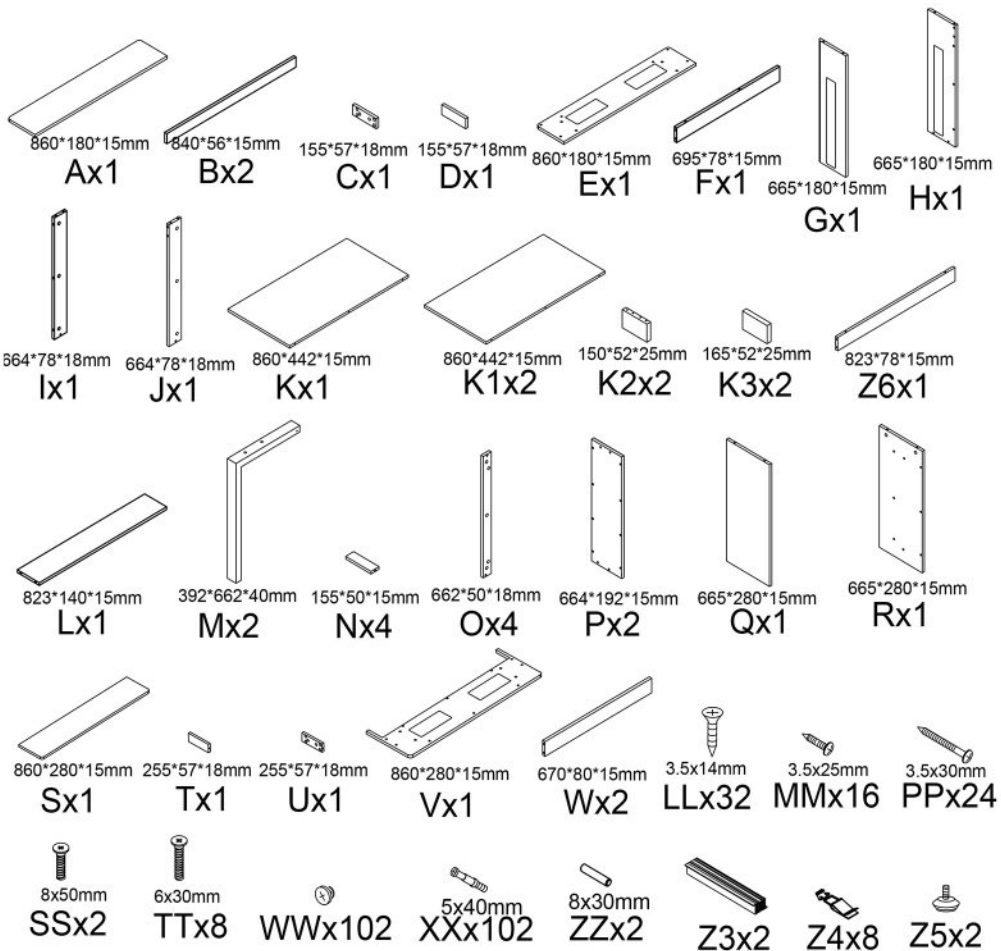
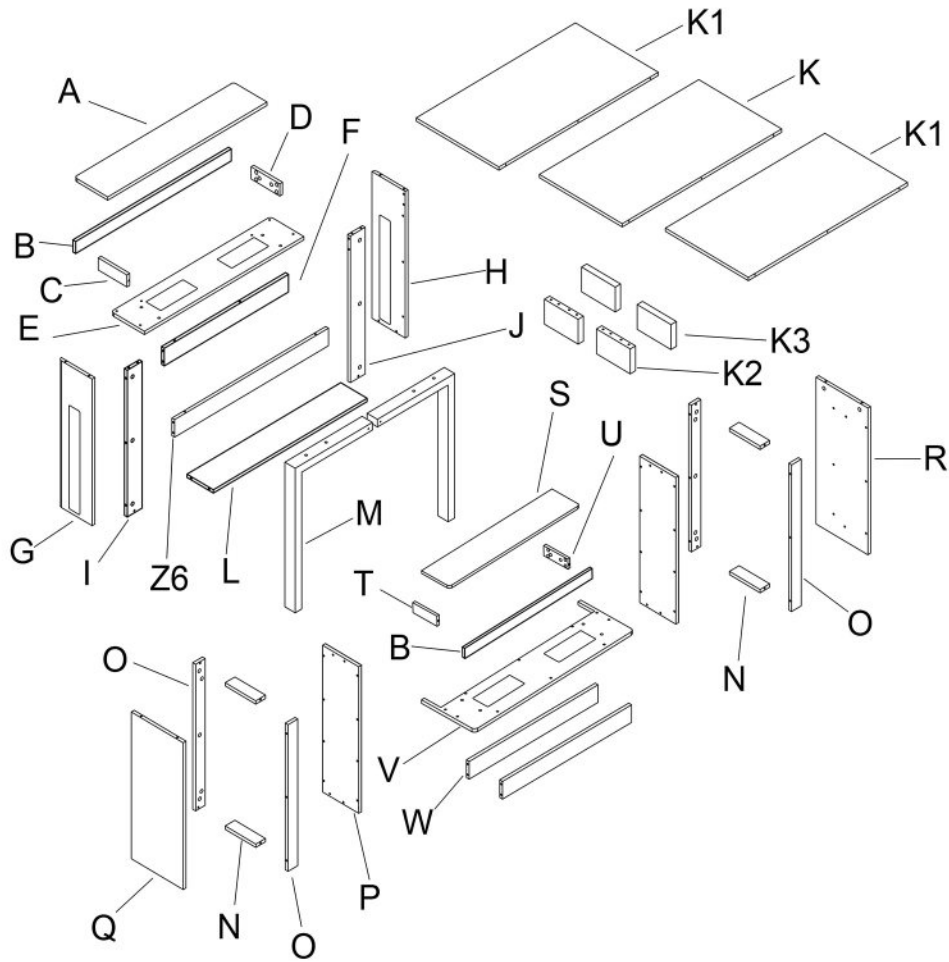
Before the Installation

1. Do not throw away packing materials until assembly is complete for small parts may come loose inside the carton during shipment. If parts are missing, please contact us.
2. Assemble this item on a soft surface, such as carpet to protect the finish.
3. Proper assembly of this item requires 2 people.
4. Periodically check to ensure that all connections are tight.
5. It is recommended that installation of the product be done by a qualified licensed furniture assembler.

Care and Cleaning

1. To protect the finish, avoid use chemicals and household cleaners.
2. All hot serving dishes should be placed on a pad.
3. Any liquid spilled onto the top should be cleaned up immediately with a damp cloth.

Parts List

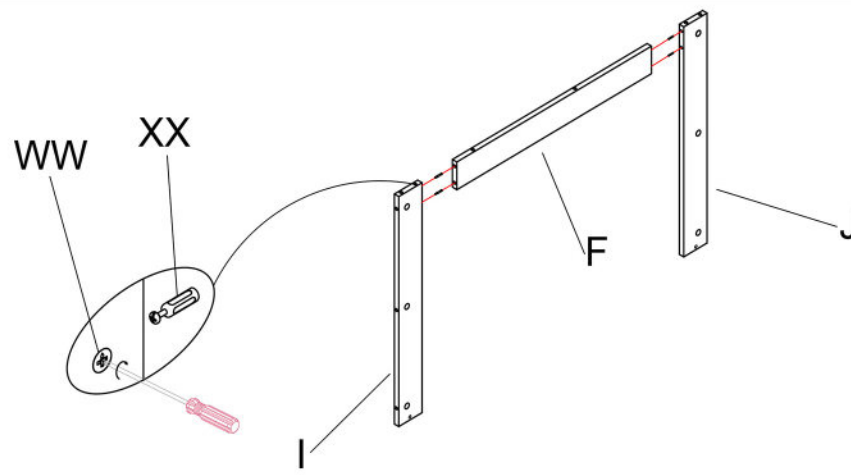


Step 1

P.3/11

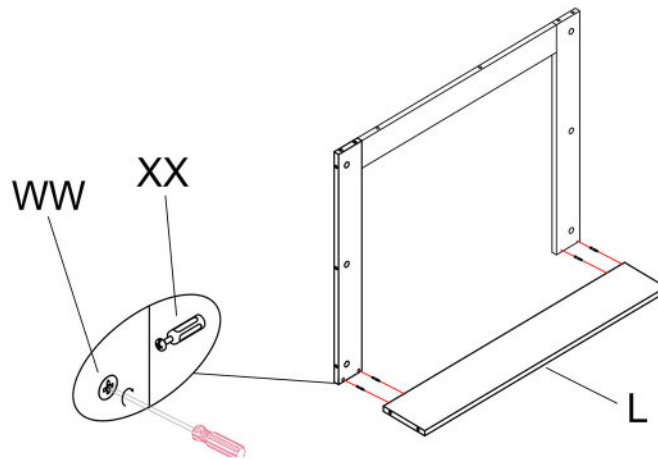
WW  x4

XX  x4



WW  x4

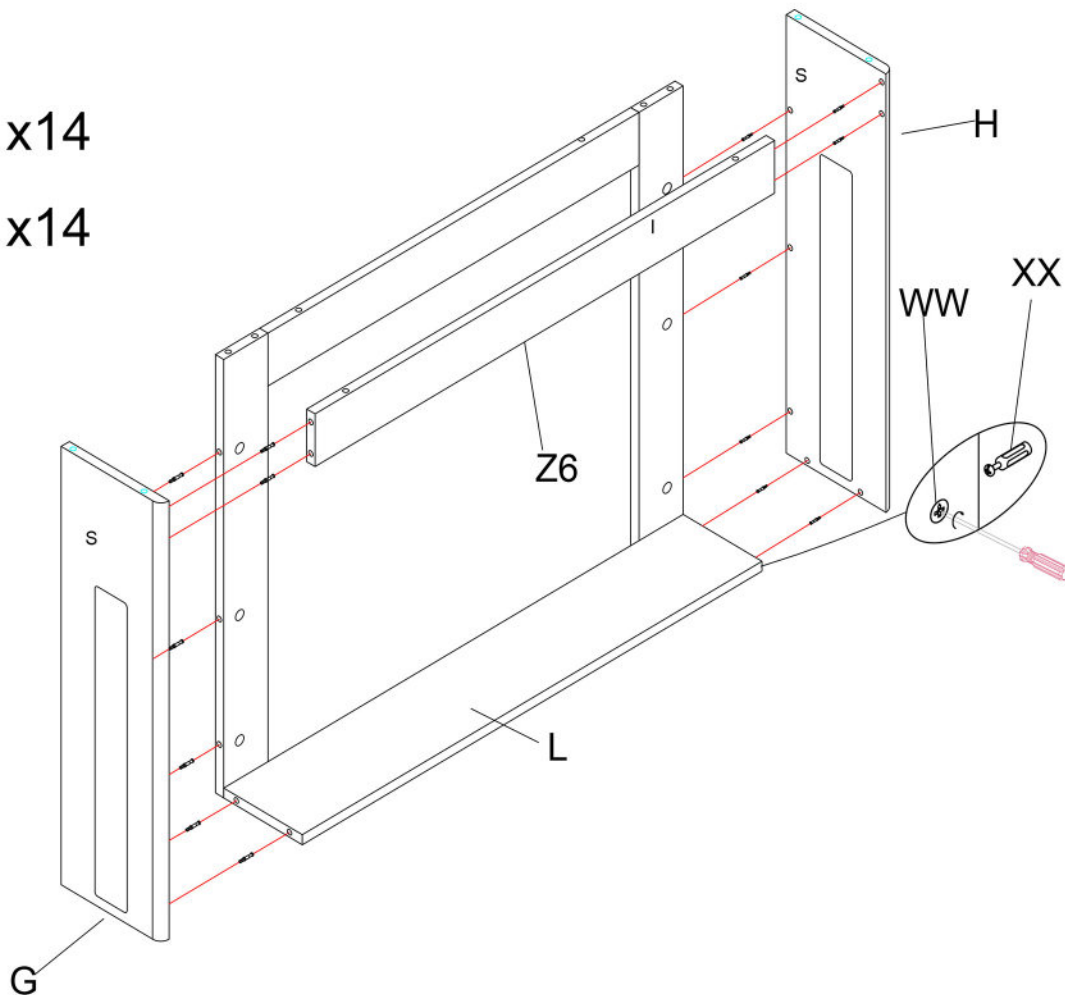
XX  x4



Step 2

WW  x14

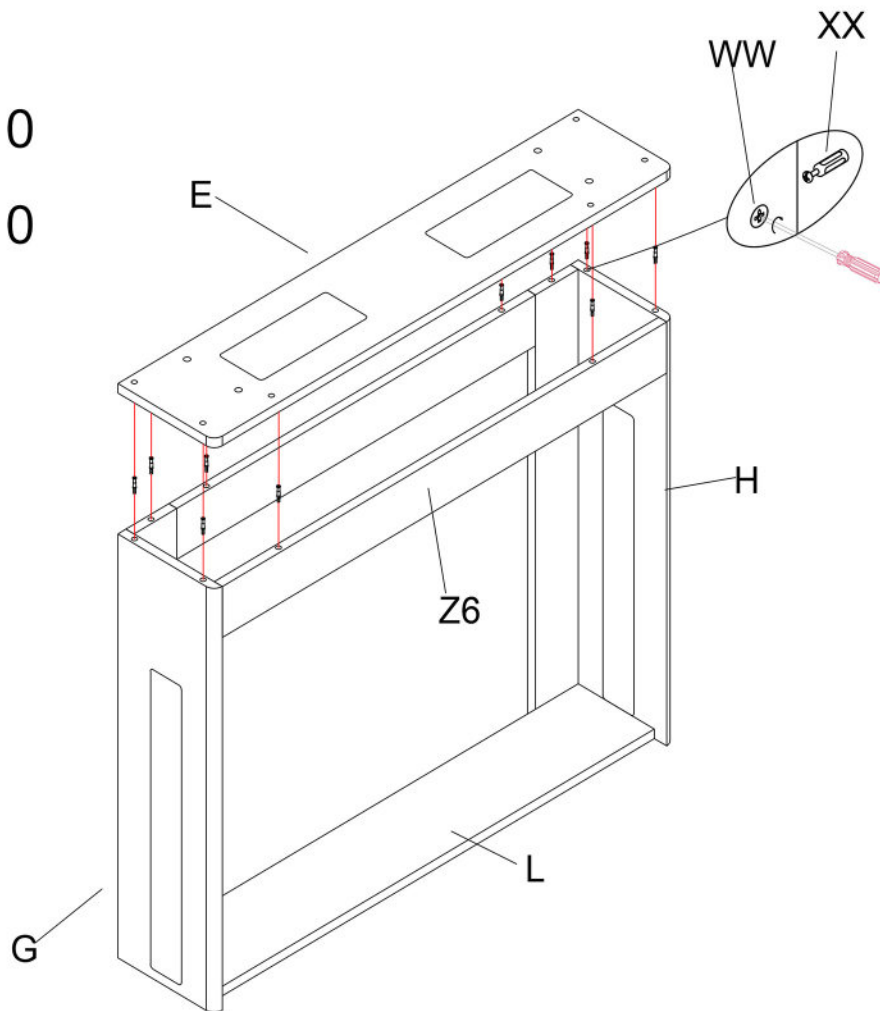
XX  x14



Step 3

WW  x10

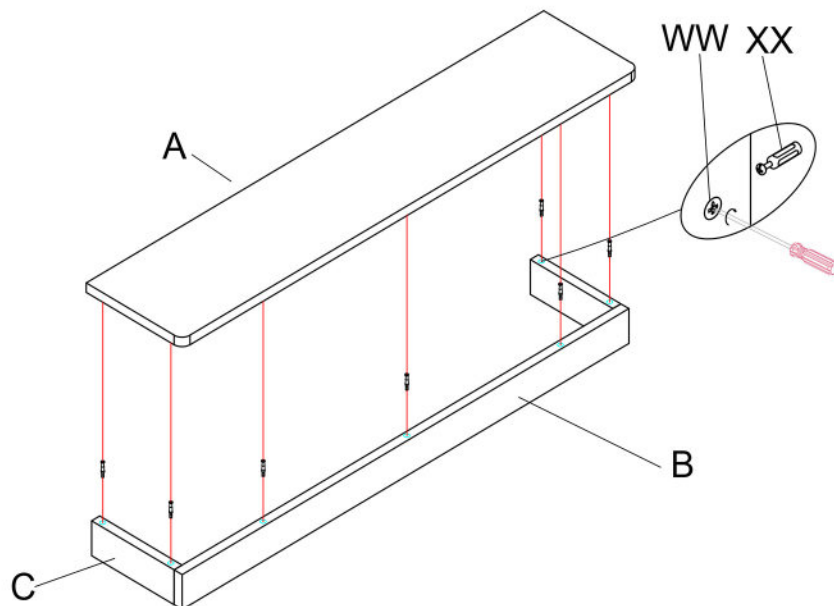
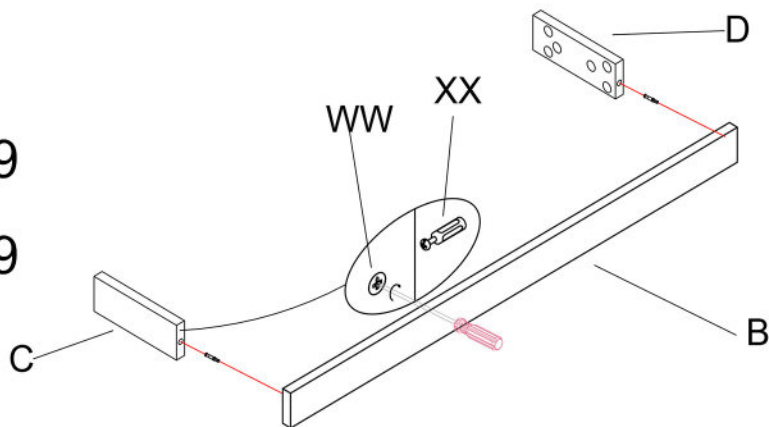
XX  x10



Step 4

WW  x9

XX  x9

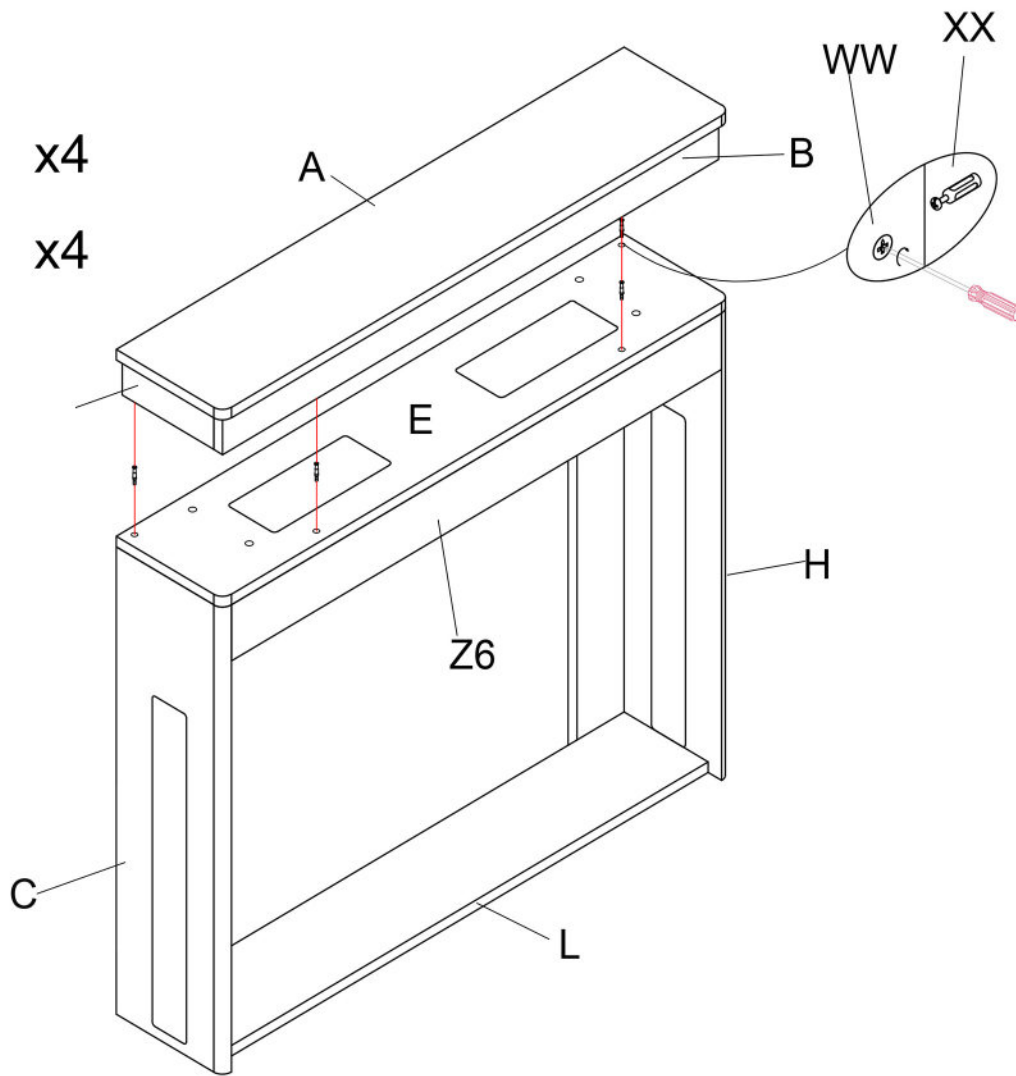


Step 5

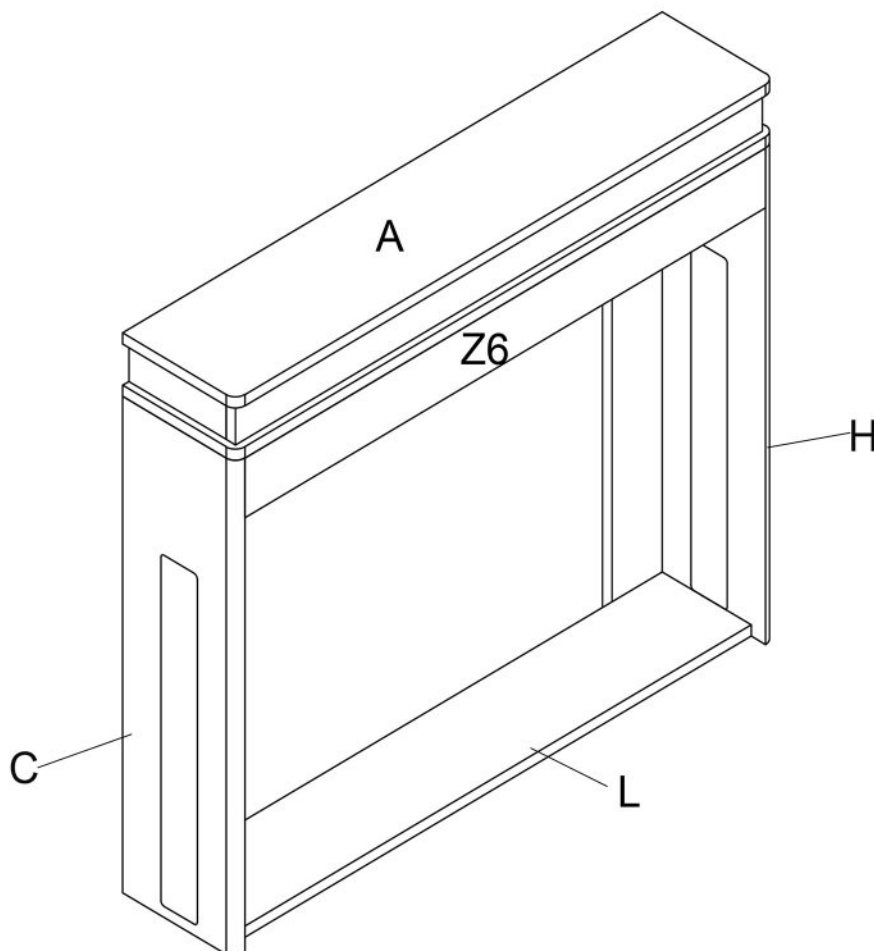
P.5/11

WW  x4

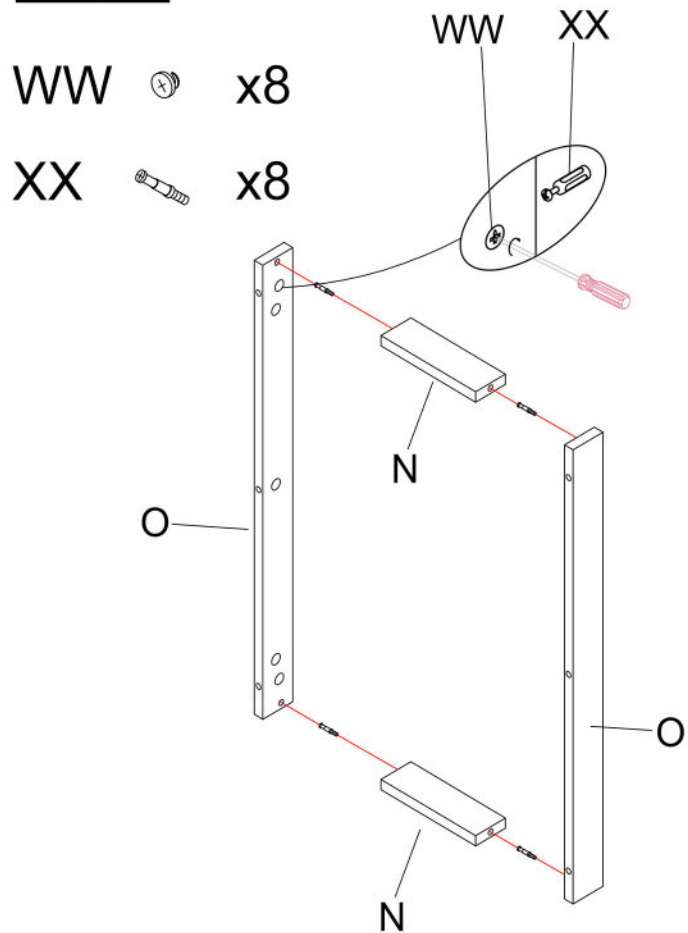
XX  x4



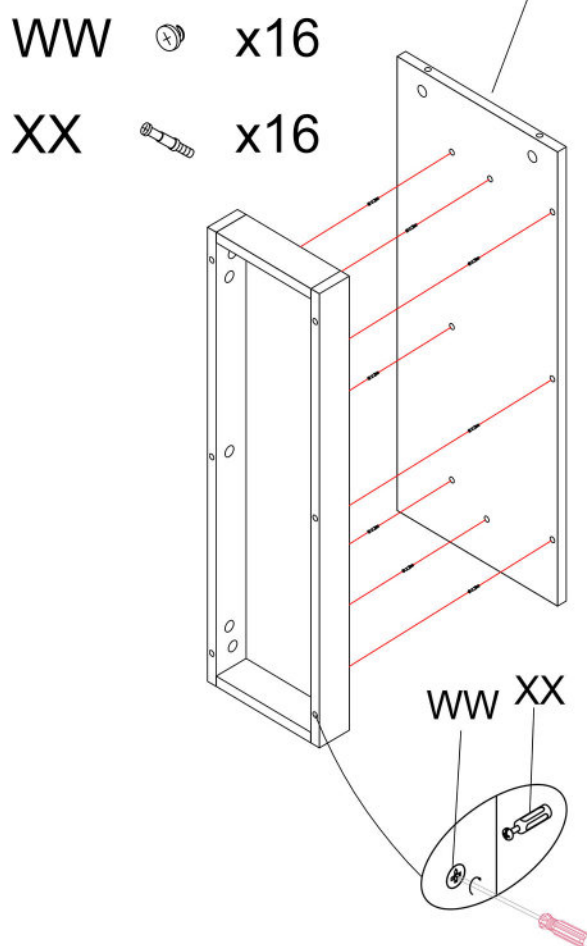
Step 6



Step 7

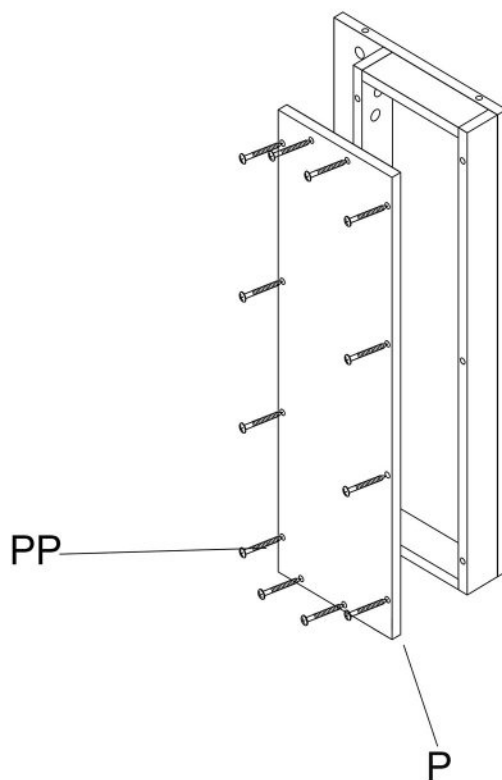


P.6/11



Step 8

PP  x24
3.5x30mm

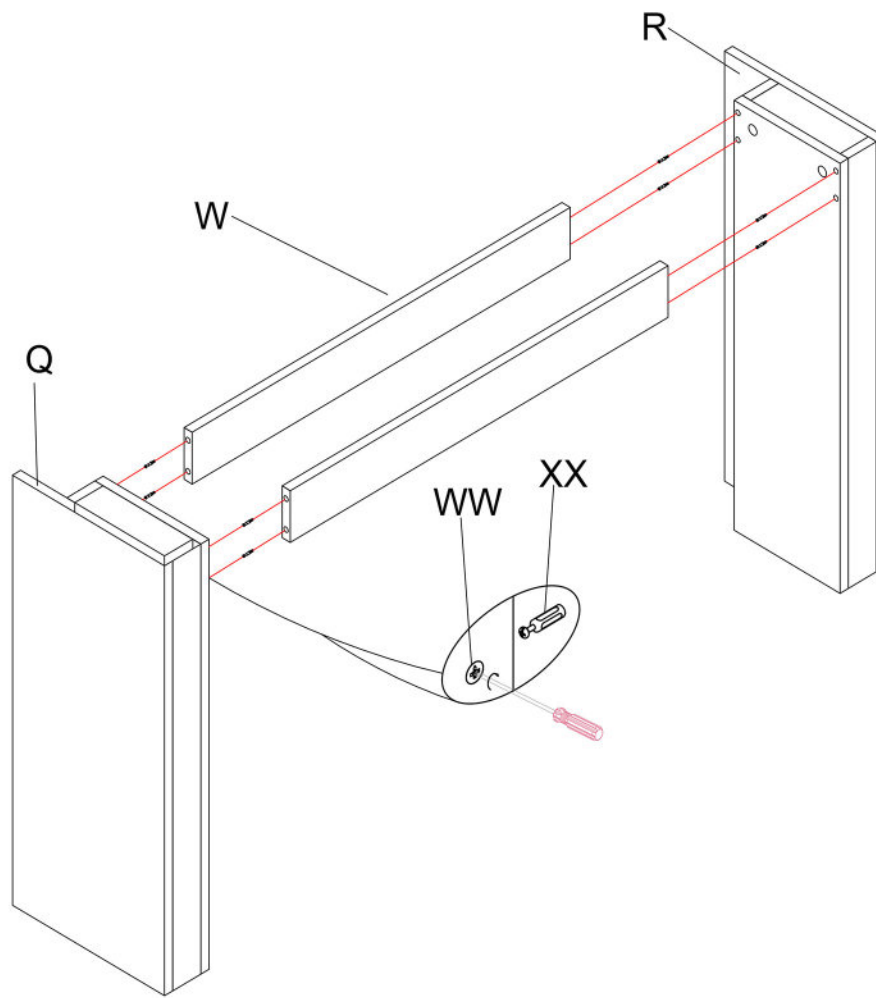


Step 9

P.7/11

WW  x8

XX  x8

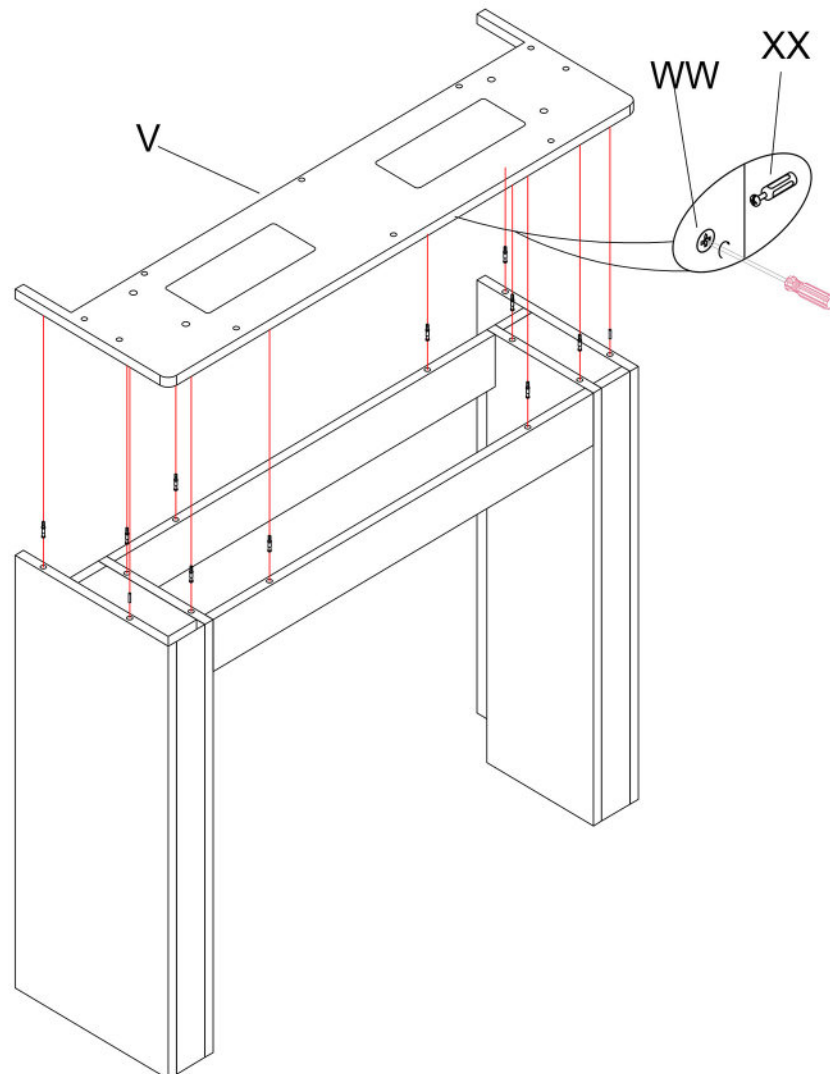


Step 10

WW  x10

XX  x10

ZZ  8x30mm x2

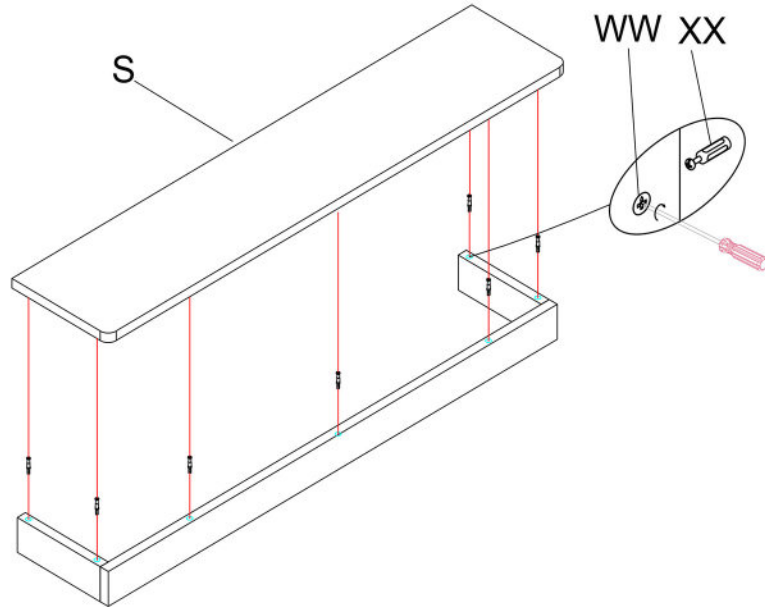
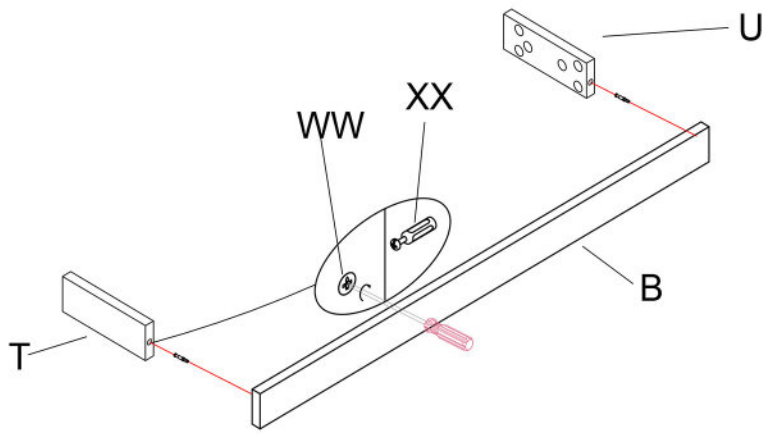


Step 11

P.8/11

WW  x9

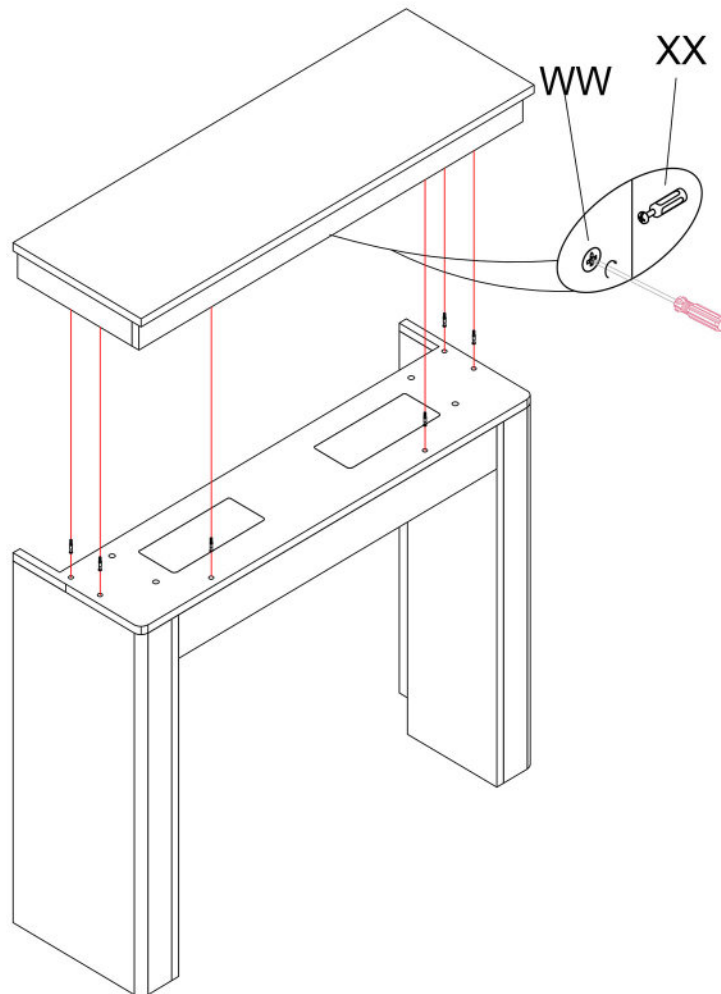
XX  x9

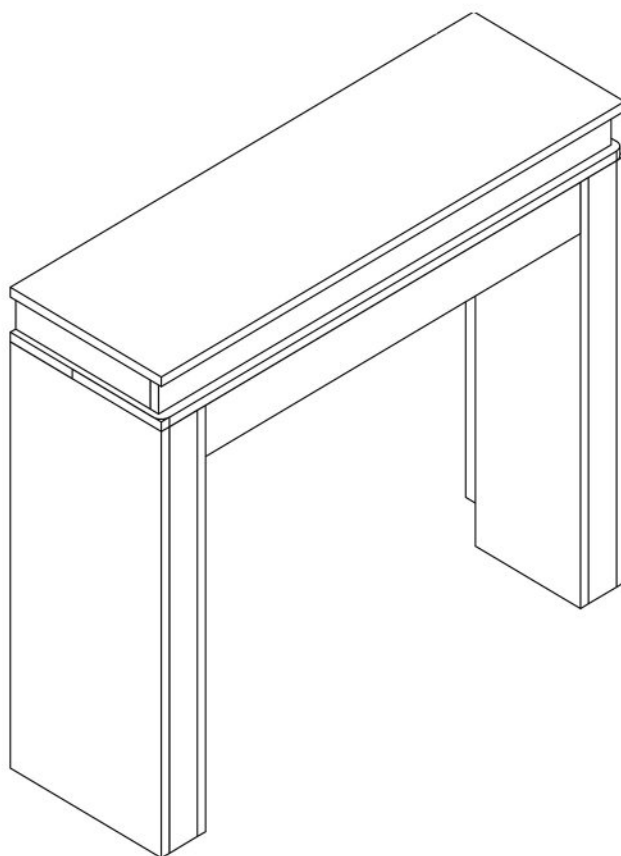


Step 12

WW  x6

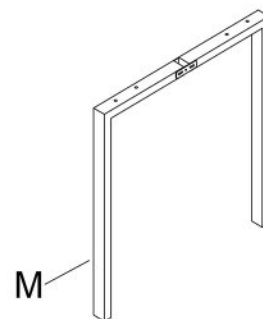
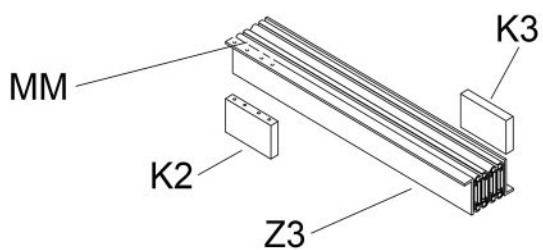
XX  x6





Step 14

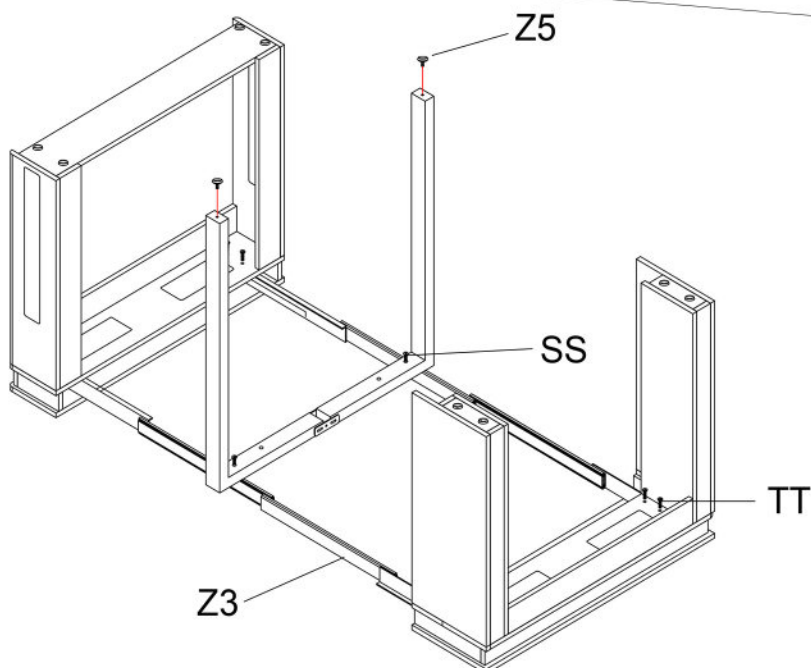
MM  x16
3.5x25mm





SS  x2
8x50mm

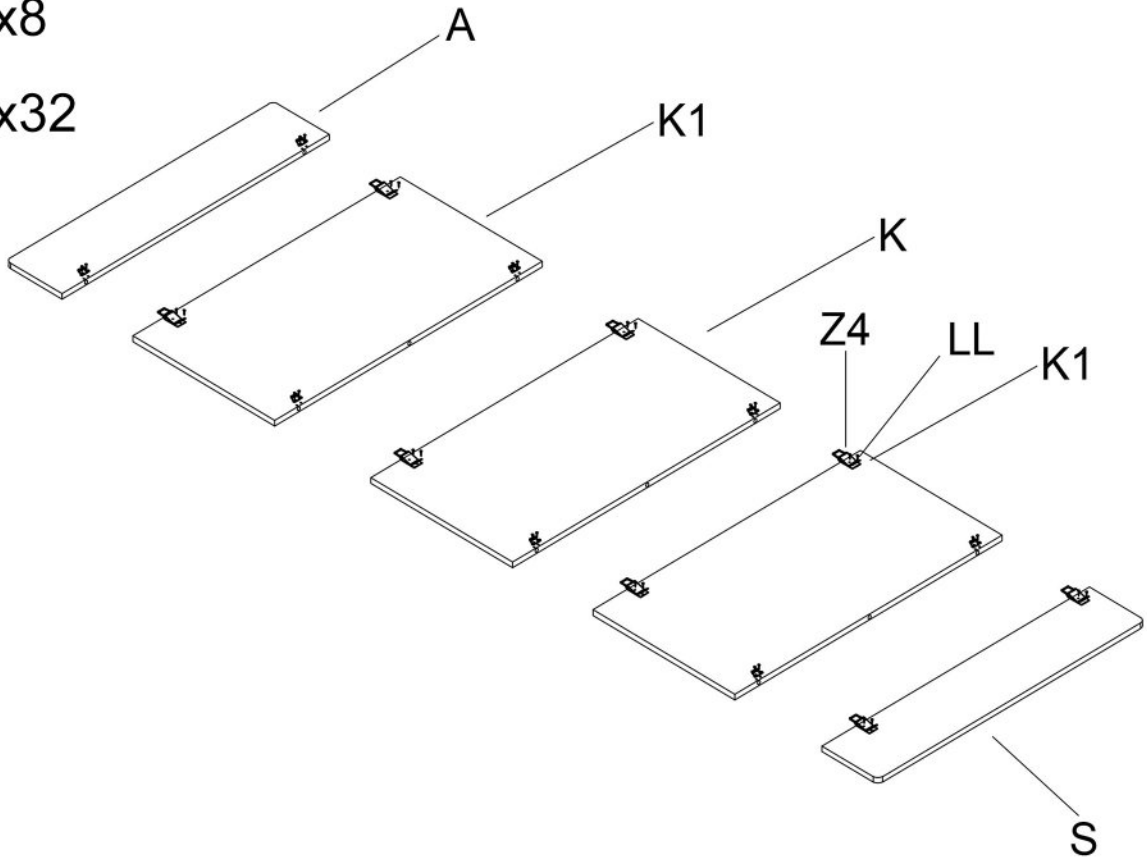
TT  x8
6x30mm

Z5  x2

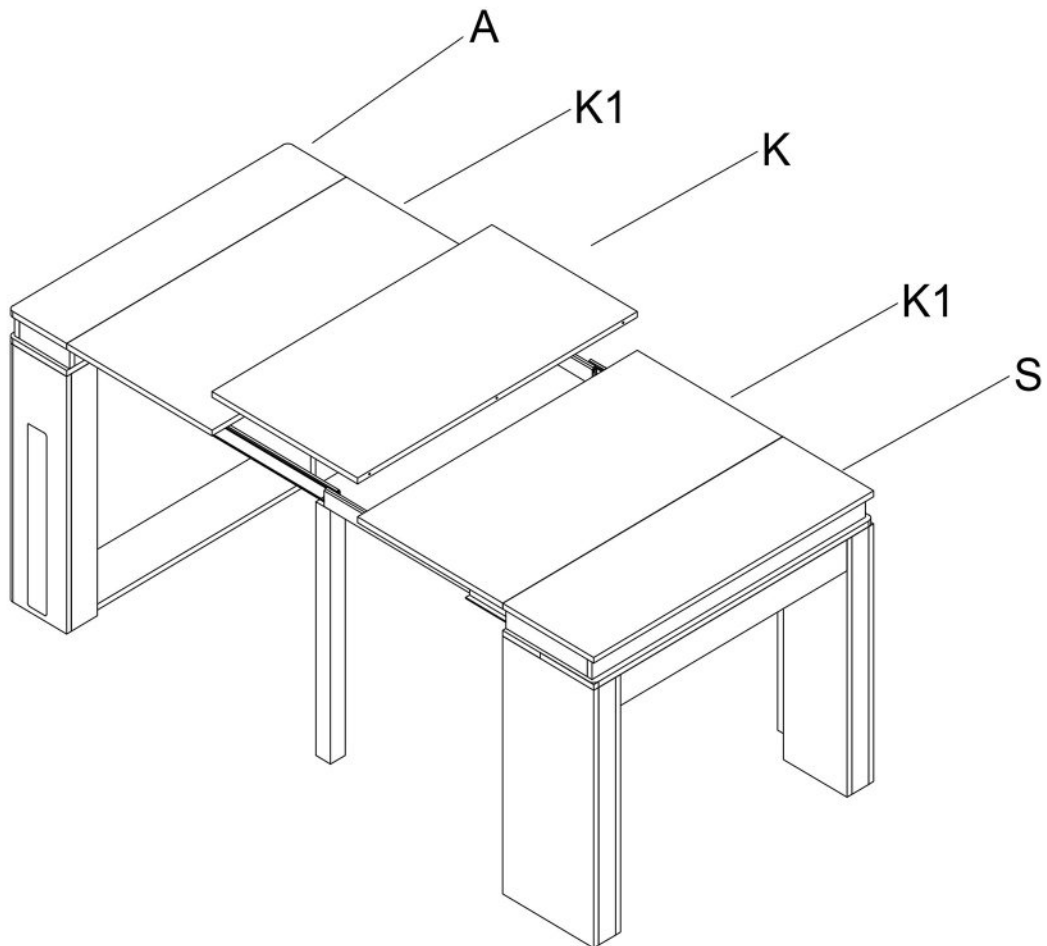


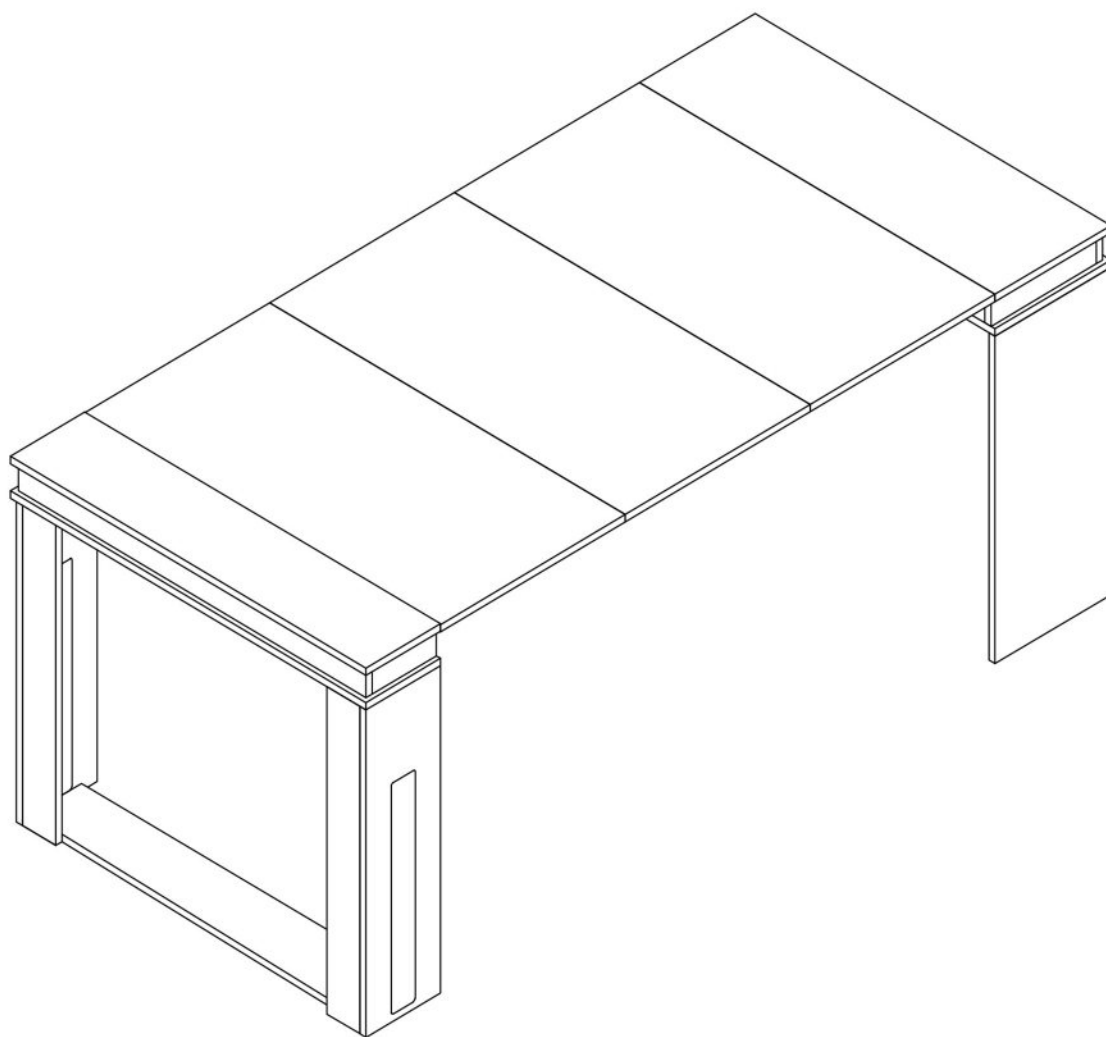
Step 15

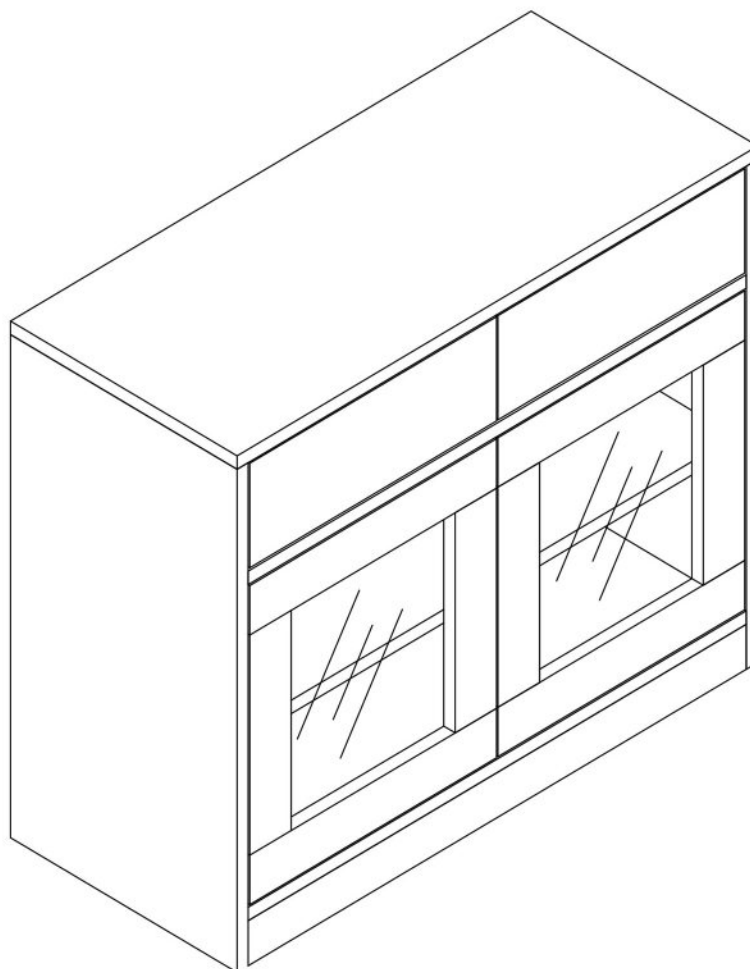
- Z4  x8
- LL  x32
3.5x14mm



Step 16

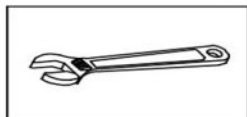






Dining Table Installation

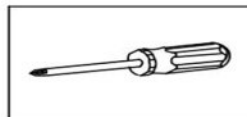
Tools You May Need:



Adjustable Wrench



Hexagon Wrench



Philips Screwdriver

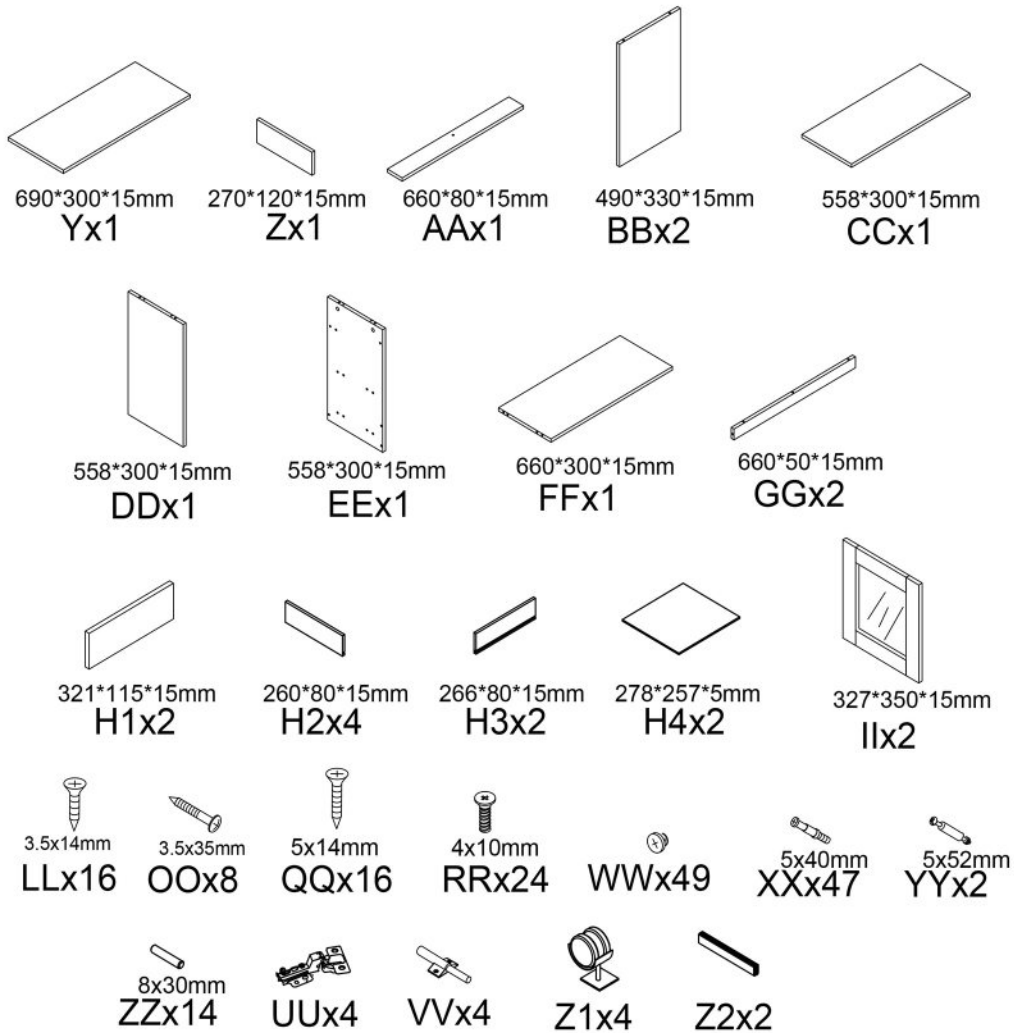
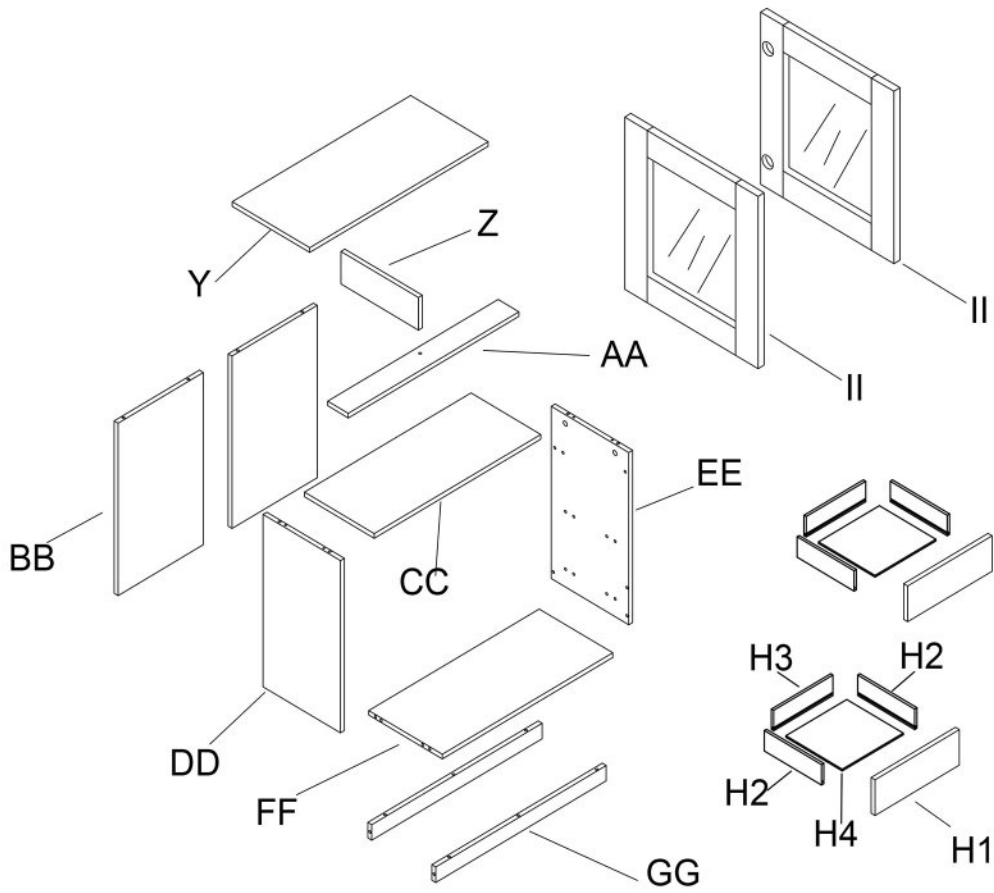
Before the Installation

1. Do not throw away packing materials until assembly is complete for small parts may come loose inside the carton during shipment. If parts are missing, please contact us.
2. Assemble this item on a soft surface, such as carpet to protect the finish.
3. Proper assembly of this item requires 2 people.
4. Periodically check to ensure that all connections are tight.
5. It is recommended that installation of the product be done by a qualified licensed furniture assembler.

Care and Cleaning

1. To protect the finish, avoid use chemicals and household cleaners.
2. All hot serving dishes should be placed on a pad.
3. Any liquid spilled onto the top should be cleaned up immediately with a damp cloth.

Parts List



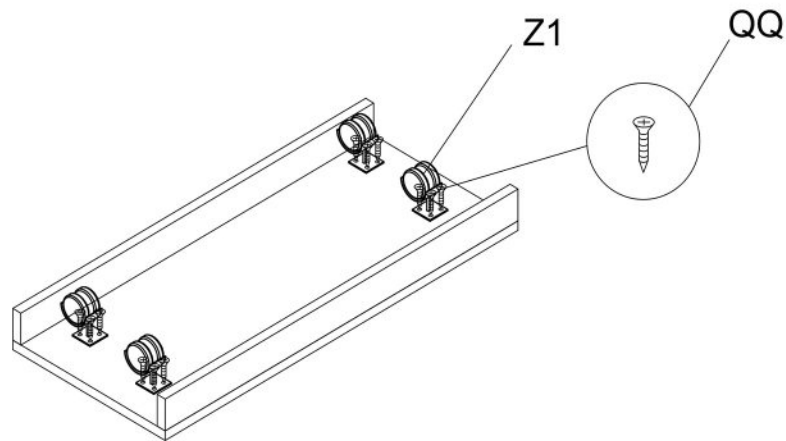
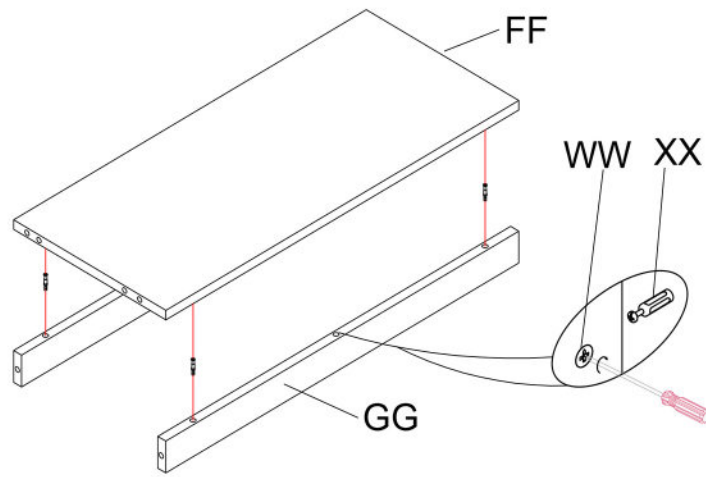
Step 1

WW  x4

XX  x4

QQ  x16
5x14mm

Z1  x4



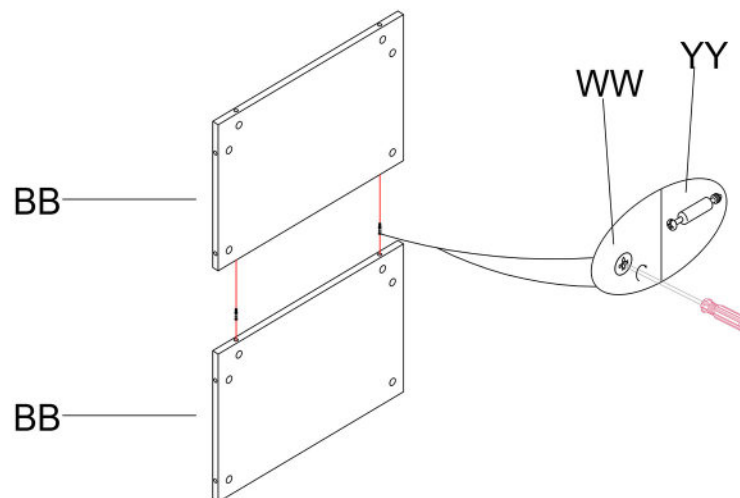
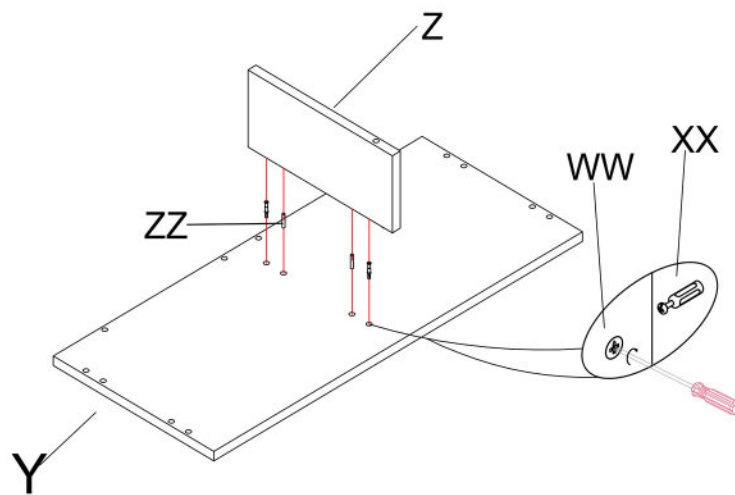
Step 2

WW  x4

XX  x2

ZZ  x2
8x30mm

YY  x2
5x52mm

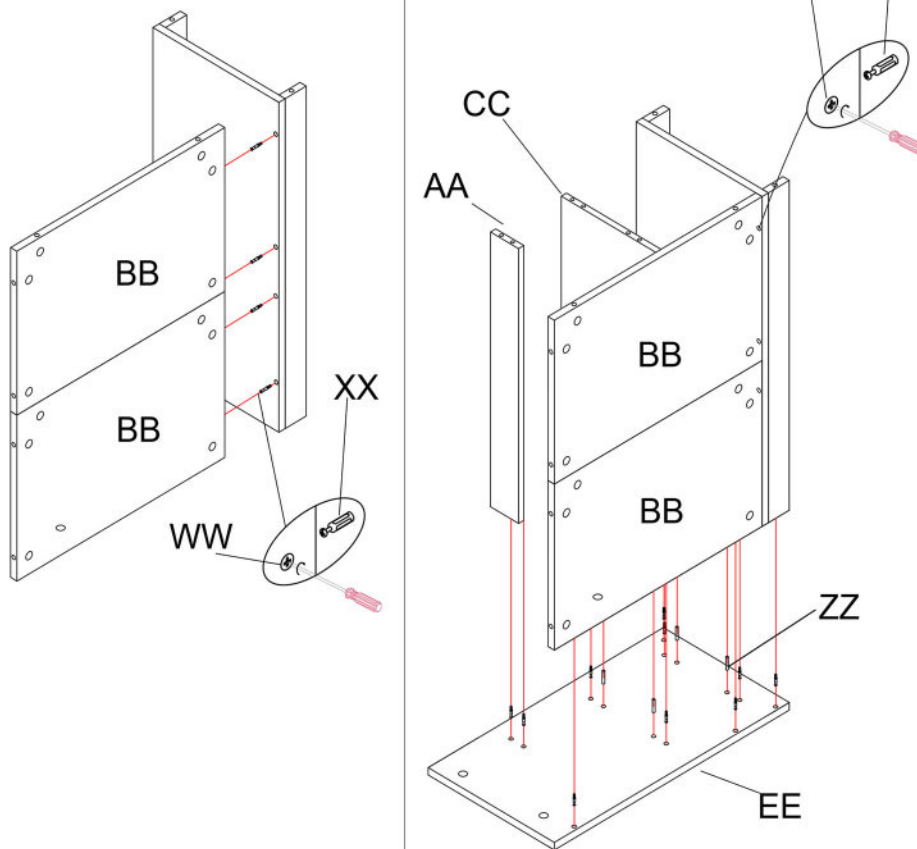


Step 3

WW  x14

XX  x14


ZZ  8x30mm x4

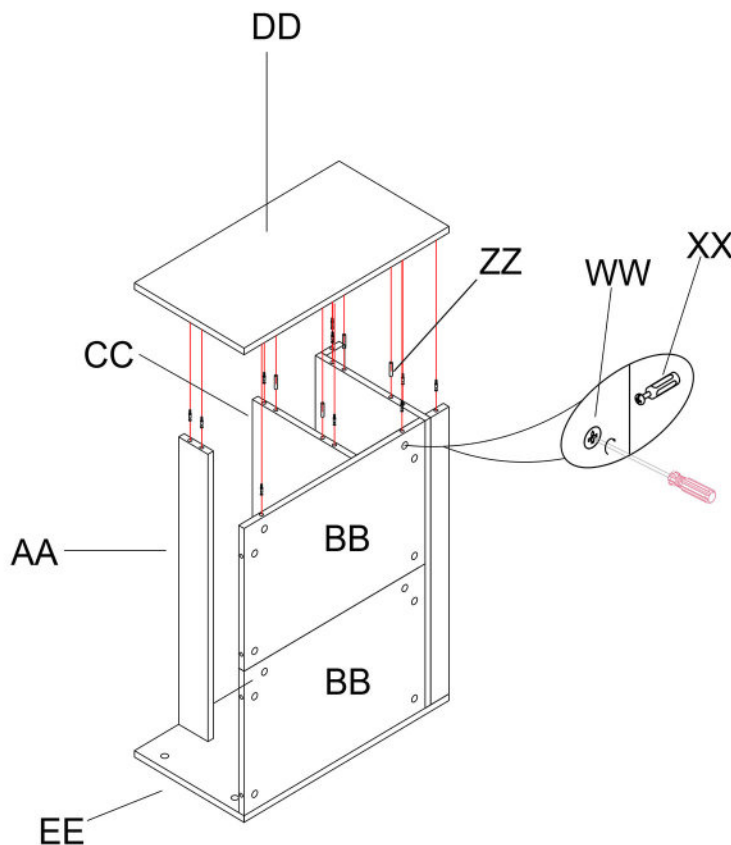


Step 4

WW  x10

XX  x10

ZZ  8x30mm x4



Step 5

P.5/7

WW  x9

XX  x9

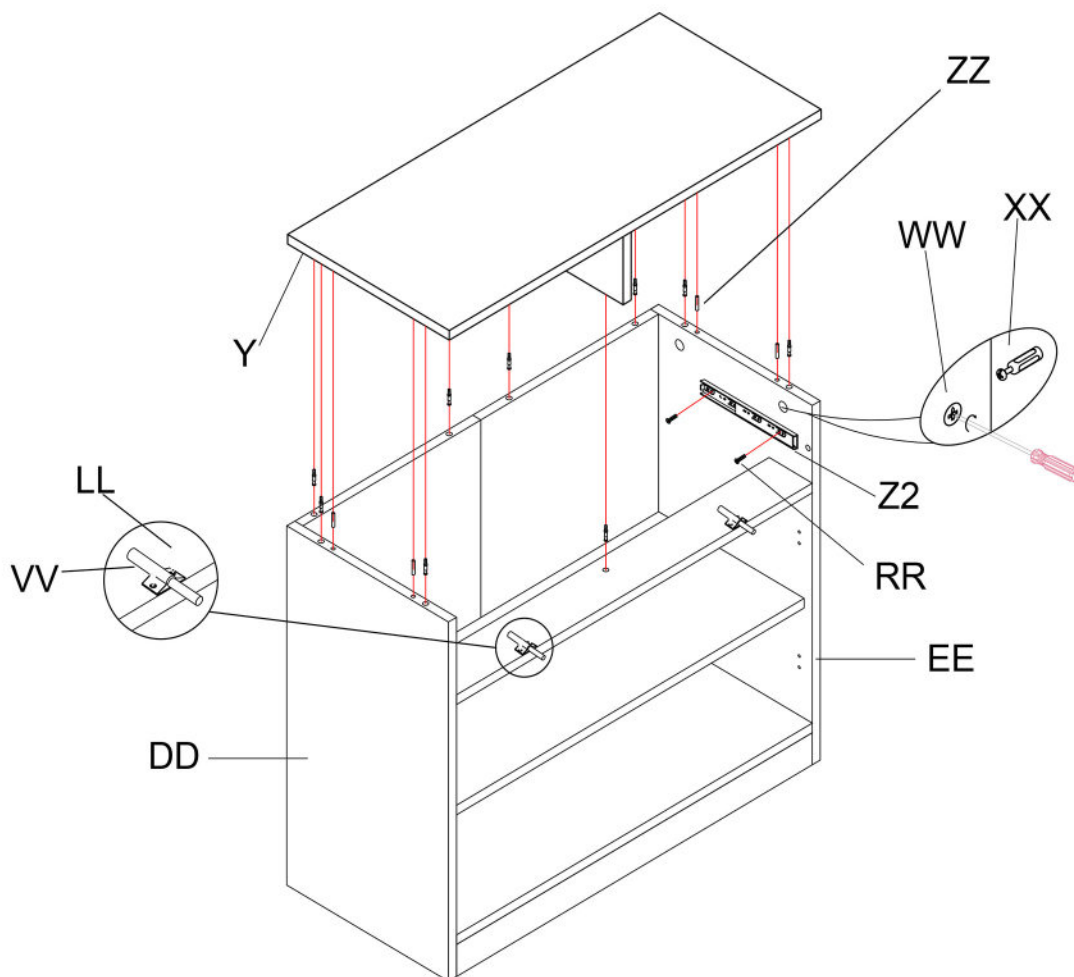
ZZ  x4
8x30mm

Z2  x2

RR  x8
4x10mm

VV  x2

LL  x4
3.5x14mm

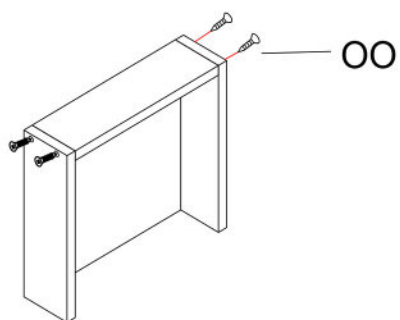
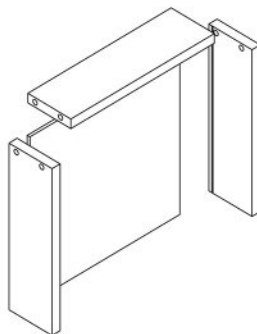


Step 6

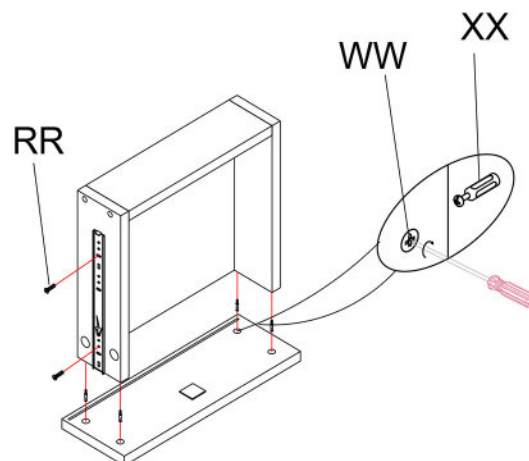
WW  x8

XX  x8

OO  x8
3.5x35mm

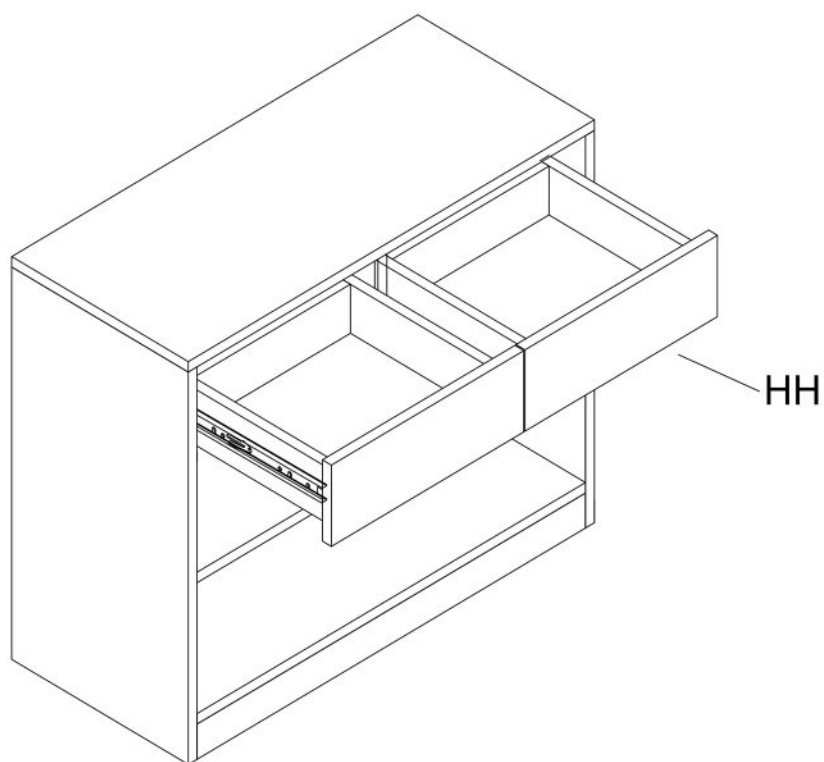


RR  x8



Step 7

P.6/7



Step 8

UU  x4

RR  x16
4x10mm

LL  x12
3.5x14mm

VV  x2

