

INSTALLATION NOTICE

1 Please check all accessories according to the following STANDARD ACCESSORIES LIST to make sure all accessories as ready,if some parts are missed or damaged,please contact with the local dealer immediately.

2 Please make sure the other parts you going to buy for this product should match this product's specification.

3 This faucet body set already inspected and tested by factory,NO Self-disassembly to avoid any effect on using performance.

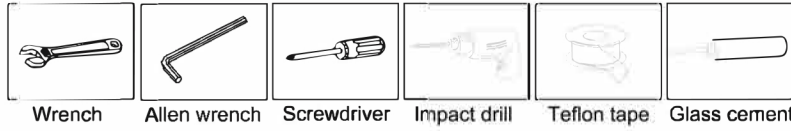
4 Please pay attention when connecting the faucet with hot & cold water pipe: Left for Hot water and Right for Cold water,otherwise the coming out water will be opposite with the Red(hot water) & Blue(cold water) marking on the handle.

5 Before the faucet installation,please make sure to flush the water pipe to clean inside Impurities and sludge,to avoid any blocking to effect water performance.

6 After finish the installing,please turn on water valve to check the sealing of pipes connecting,make sure no leakage.

7 Applicable water pressure:0.05Mpa~0.75Mpa.
Applicable water temperature:4℃~80℃

Installing tools:



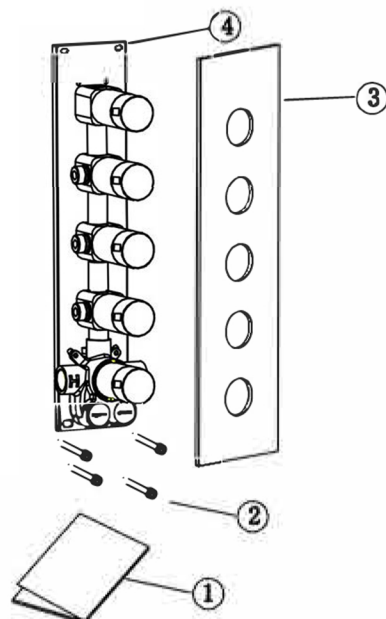
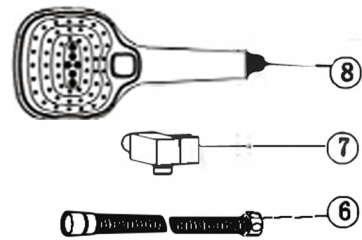
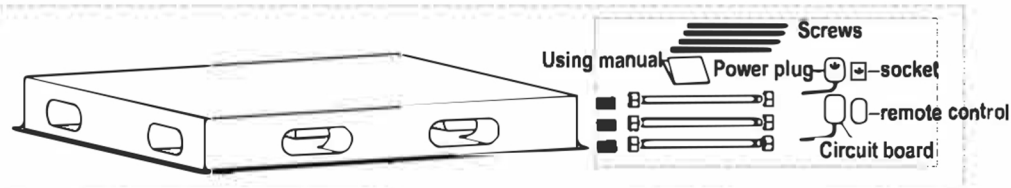
Please Notice:

- Faucet installation should be applied 2months later the house decoration.
- Suggest a non-corrosive environment for faucet installation, if can not avoid it,please clean the faucet surface frequently, otherwise it will shorten the faucet using life.

Concealed Shower Faucet Installation Manual

STANDARD ACCESSORIES LIST

Please confirm the shower head is ceiling type or Wall-mounted type first,then buy the correspondent water pipe to install!

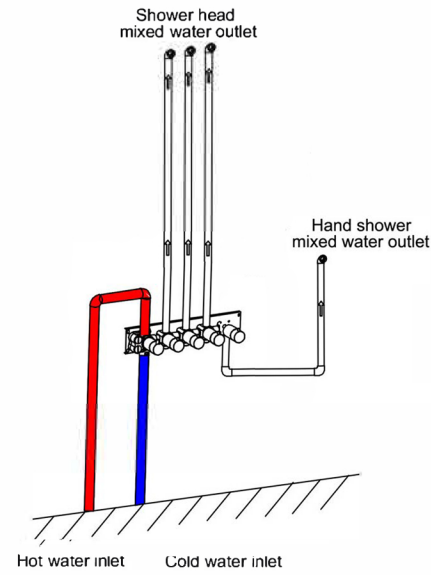
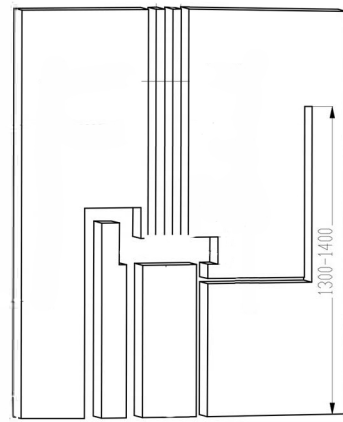


No.	Name	Qty
1	Installation Manual	4
2	Expansion screw	1
3	Decorative late	1
4	Faucet body set	1
6	Shower hose	1
7	Hand shower holder	1
8	Hand shower	1
9	Shower head set	1

Concealed Shower Faucet Installation Manual

INSTALLATION STEPS

① Unit:MM



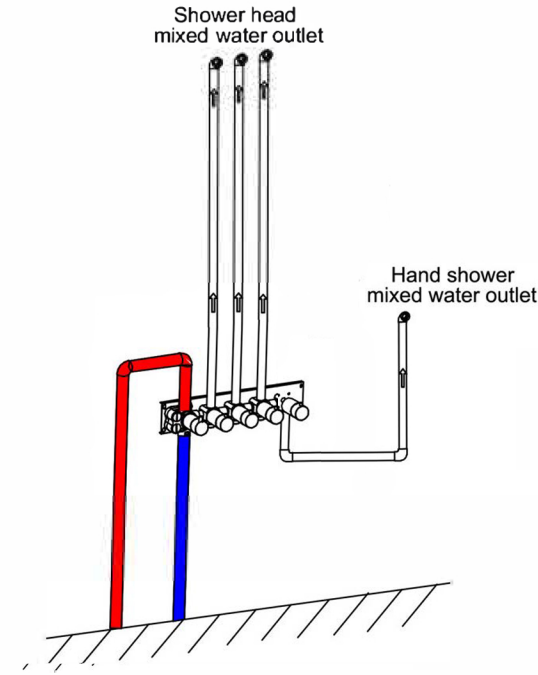
- Referring to following picture to confirm the product specification on a wall, Dig the faucet body embedded space,as well as the hot & cold water pipe inlet and the outlet of shower head/body jet/hand shower.
- Connect hot & cold water pipe with the faucet body 2 inlet connectors sperately,and tighten them with wrench.

②

Concealed Shower Faucet Installation Manual

INSTALLATION STEPS

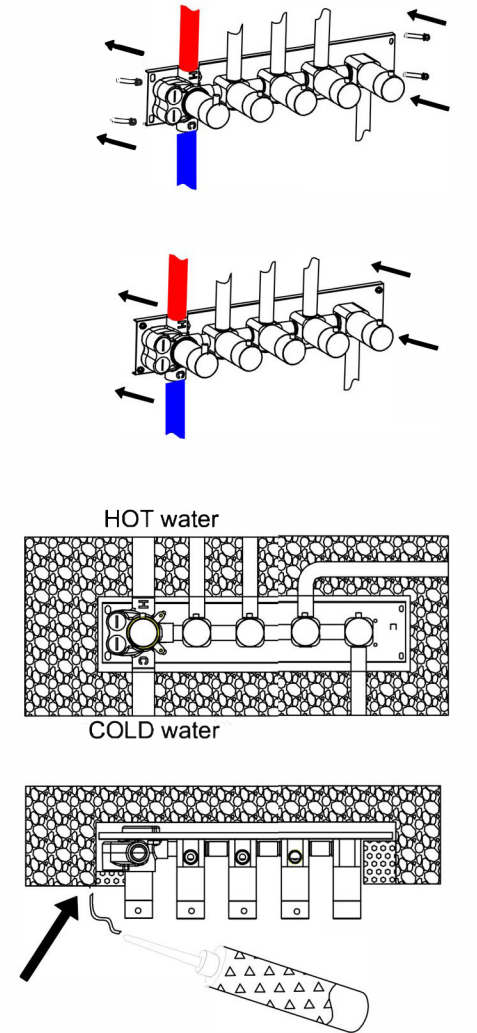
③



Flush the water pipe to clean impurity and sludge to avoid any blocking.

- Remove the cover,turn on water switch to flush the pipes;then turn off switch to test the pipes pressure-resistant properties and sealing protieries to make sure no leakage.
- Reinstall the cover after finished above test

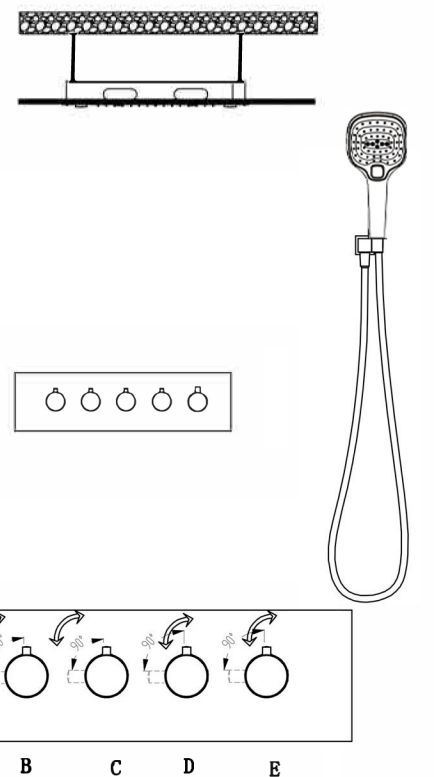
④



- Use parallel ruler to check and make sure the faucet body is parallel and vertical to the wall,then fix this body into the wall with expansion screw.if found the surface not smooth,please adjust it.make sure the vertical angle be 90 degree as possible. it's helpful for the later tiling work.then have pressure test to make sure no leakage, then sealing up the wall.

- After finished the tiling work,should apply waterproof glue on the gaps between wall and decorative plate.

USING MANUAL



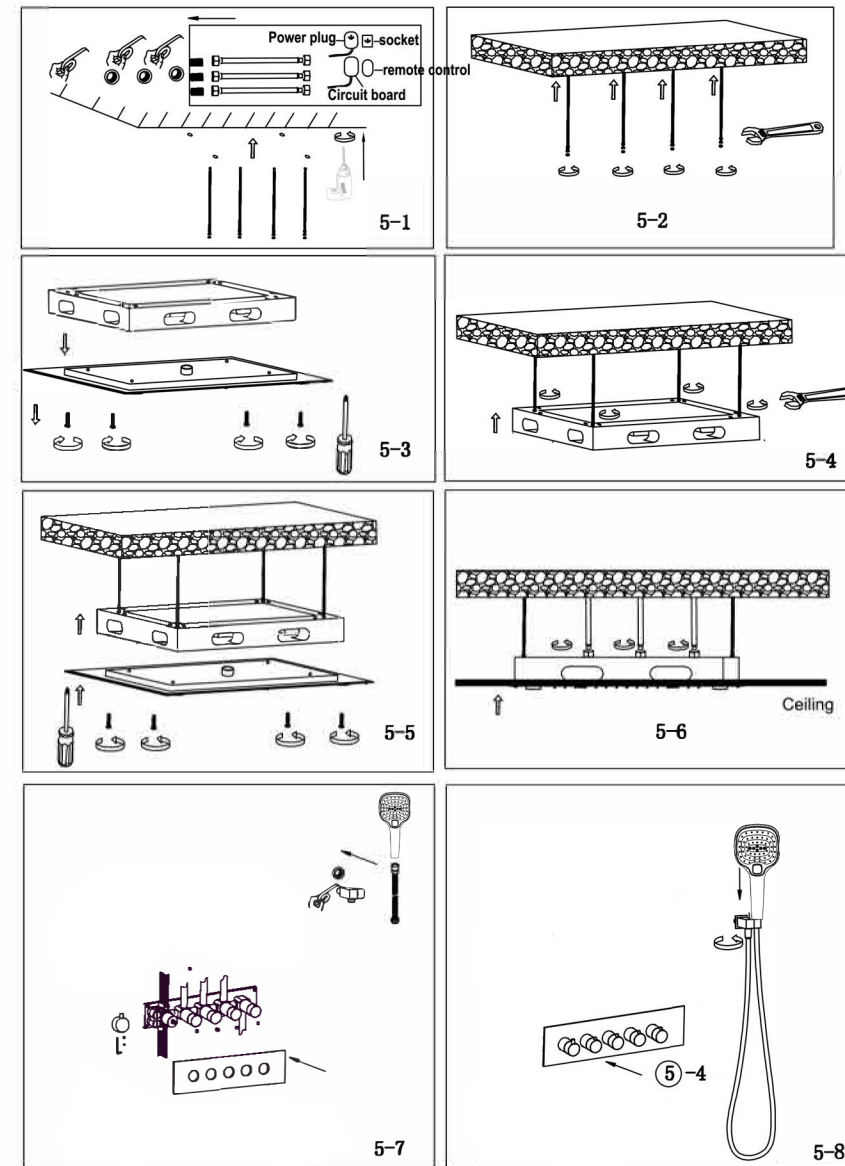
- Turn on the water switch,check if any leakage.

- When handle A is up mean water OFF,turning anticlockwise is COLD water coming out, turning angle larger then more flowing water;otherwise with smaller angle then less flowing water till OFF. When pressing the knob of handle A and turning it anticlockwise is HOT water coming out, turning angle larger then water temperature will be higher.When loosen the knob and turn the handle clockwise till back to beginning position is OFF.

- Handle B is for body jet.Handle C/D/E respectively for Shower head Rain water/Waterfall water/Lighting.Handle F is for hand shower.When handle turning angle is larger then more flowing water, otherwise when angle is smaller then less flowing water.

- Ref the shower head light using and converting,please read the attached SHOWER HEAD USING MANUAL.

⑤



- Place the shower head on ceiling and make a mark,then drill the ceiling at the marked position,install the Expansion screw into the correspondent position, screw off the nut from the screw,and screw off the shower head bottom plate,then connect the middle bracket and tighten it.the screw length is adjustable according to the ceiling distance requirement.Connect the water-supply hose with shower head bottom plate, then screw up this bottom plate and tighten it.finally adjust it to be flat position is ok.

- Remove the cover,unscrew 4 handles'lever at anticlockwise rotation,and remove the thermostatic handle too,then press the decorative plate till it against the wall surfae,then reinstall the thermostatic handle by allen wrench,and install the handle button,finally reinstall 4 handles' lever at clockwise rotation.

- Install the hand shower holder,connect hand shower with shower hose,then place hand shower into the holder,finally install 4 body jet to finish the installation.