

Coffee Table Installation

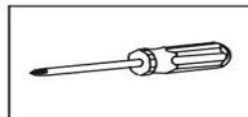
Tools You Will Need: Tools You May Need



Adjustable wrench



Hexagon wrench



Philips Screwdriver

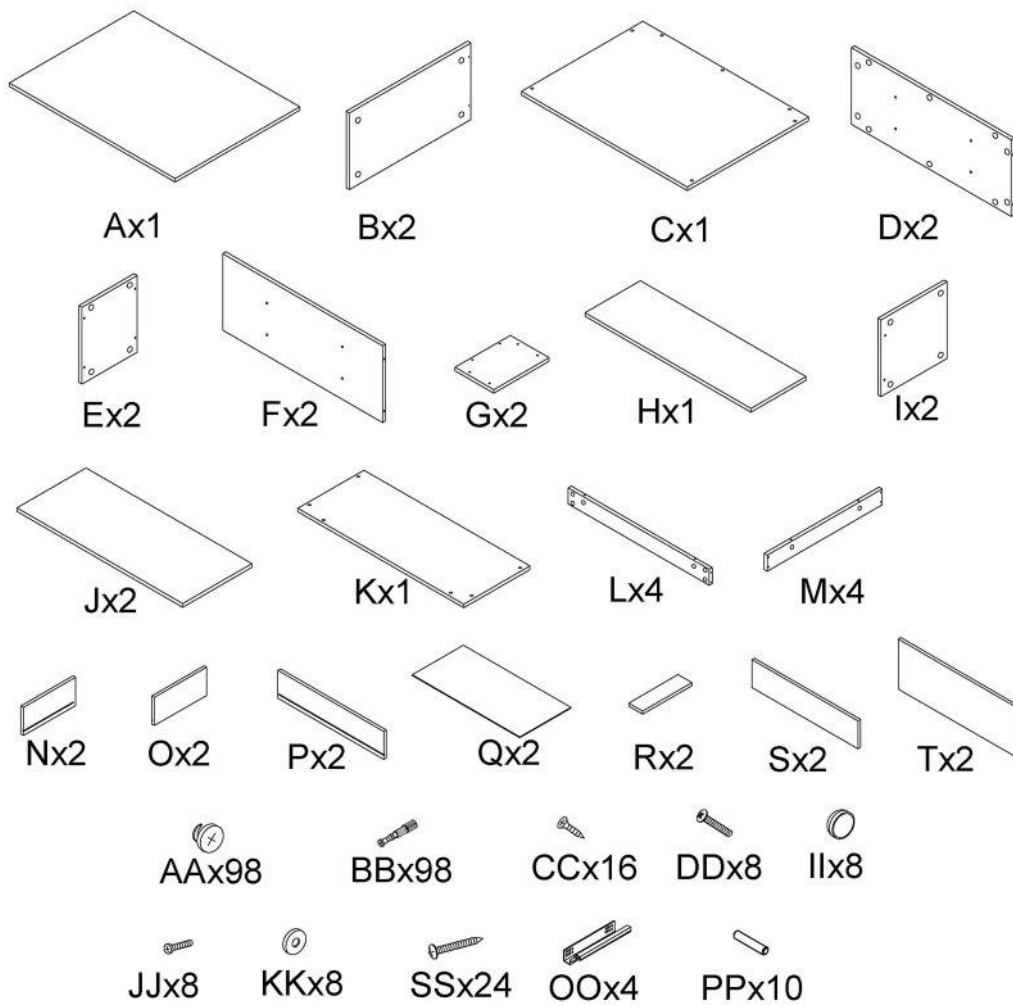
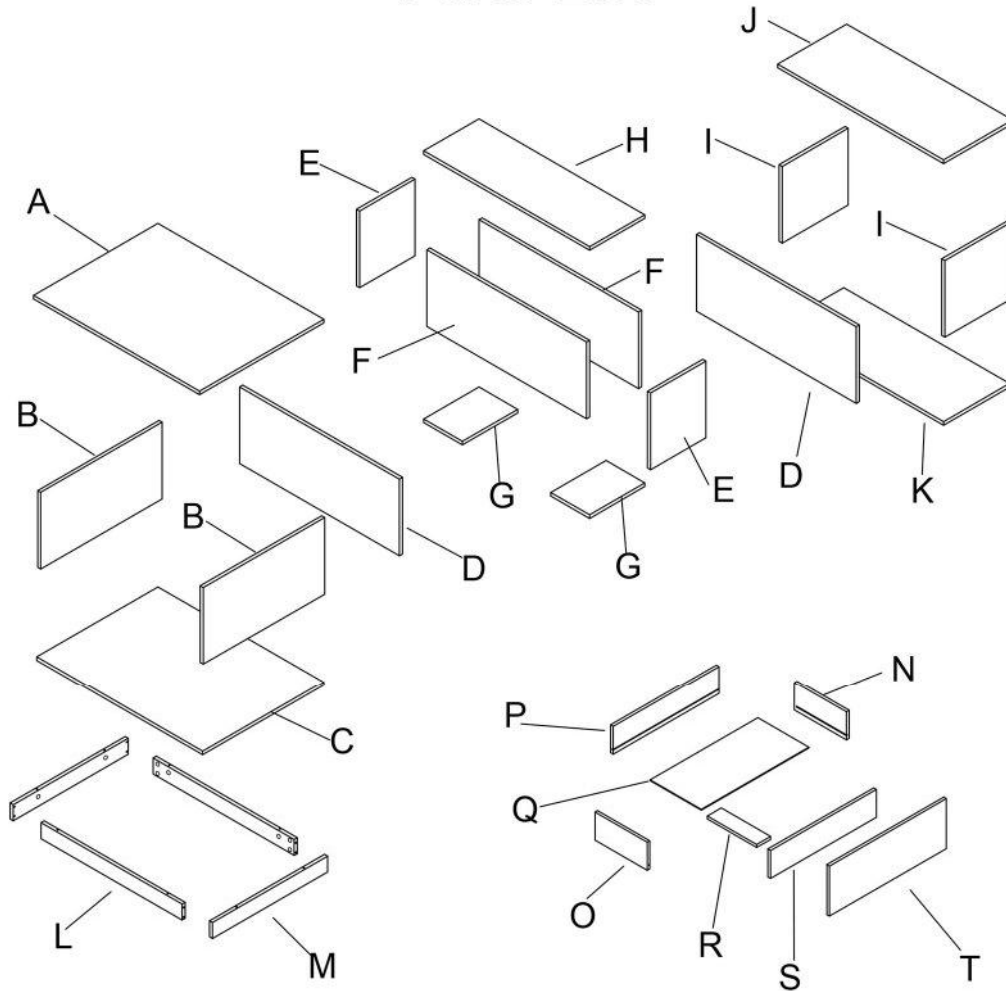
Before the Installation

1. Do not throw away packing materials until assembly is complete for small parts may come loose inside the carton during shipment. If parts are missing, please contact us.
2. Assemble this item on a soft surface, such as carpet to protect the finish.
3. Proper assembly of this item requires 2 people.
4. Periodically check to ensure that all connections are tight.
5. It is recommended that installation of the product be done by a qualified licensed furniture assembler.

Care and Cleaning

1. To protect the finish, avoid use chemicals and household cleaners.
2. All hot serving dishes should be placed on a pad.
3. Any liquid spilled onto the top should be cleaned up immediately with a damp cloth.

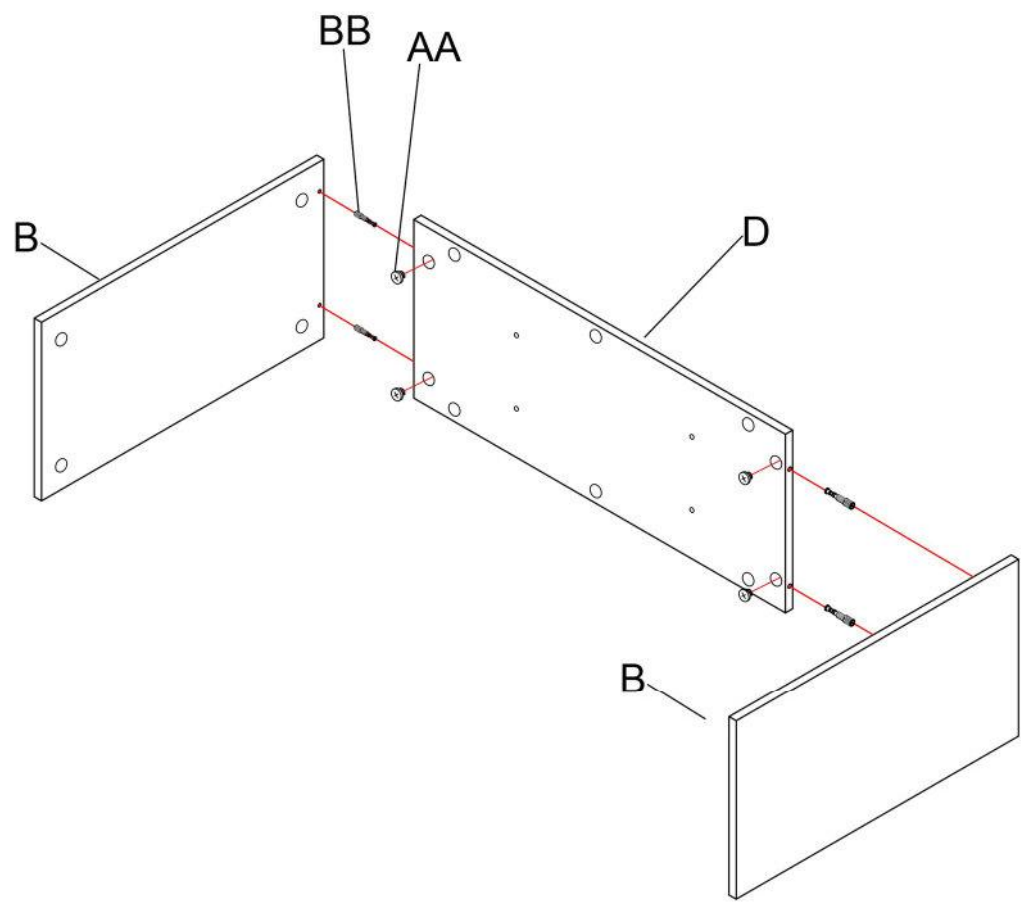
Parts List



Step 1

AA  x4

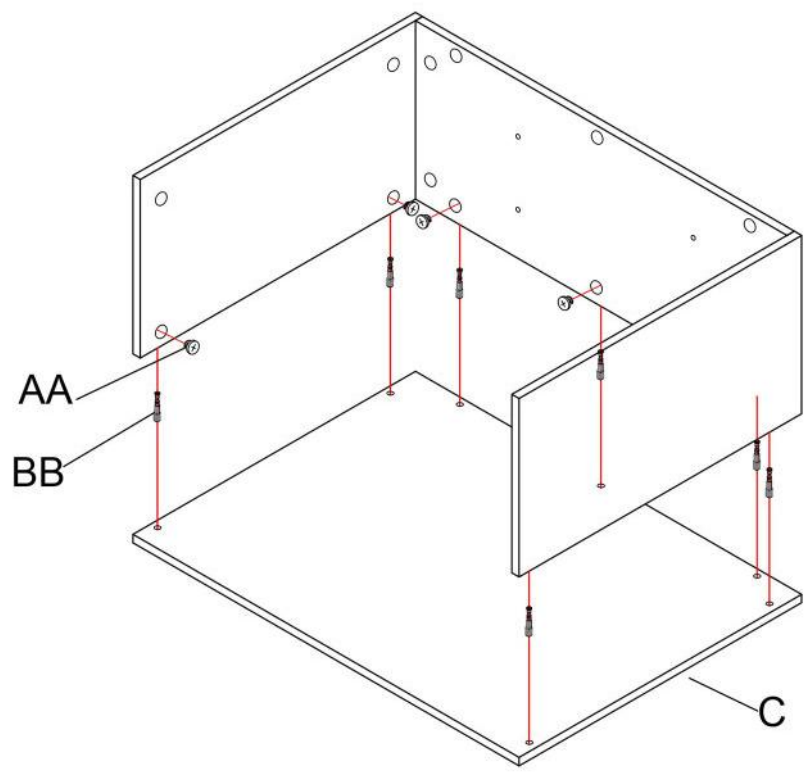
BB  x4

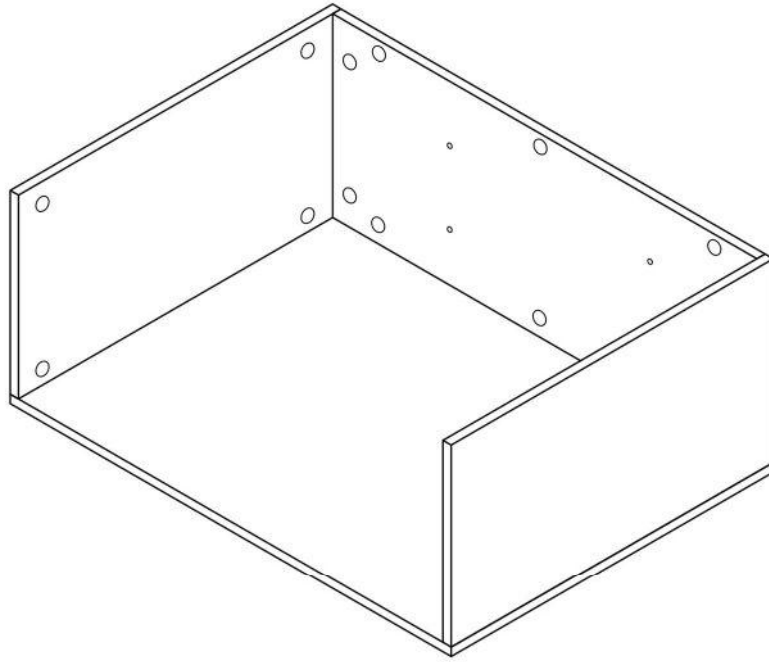


Step 2

AA  x7

BB  x7

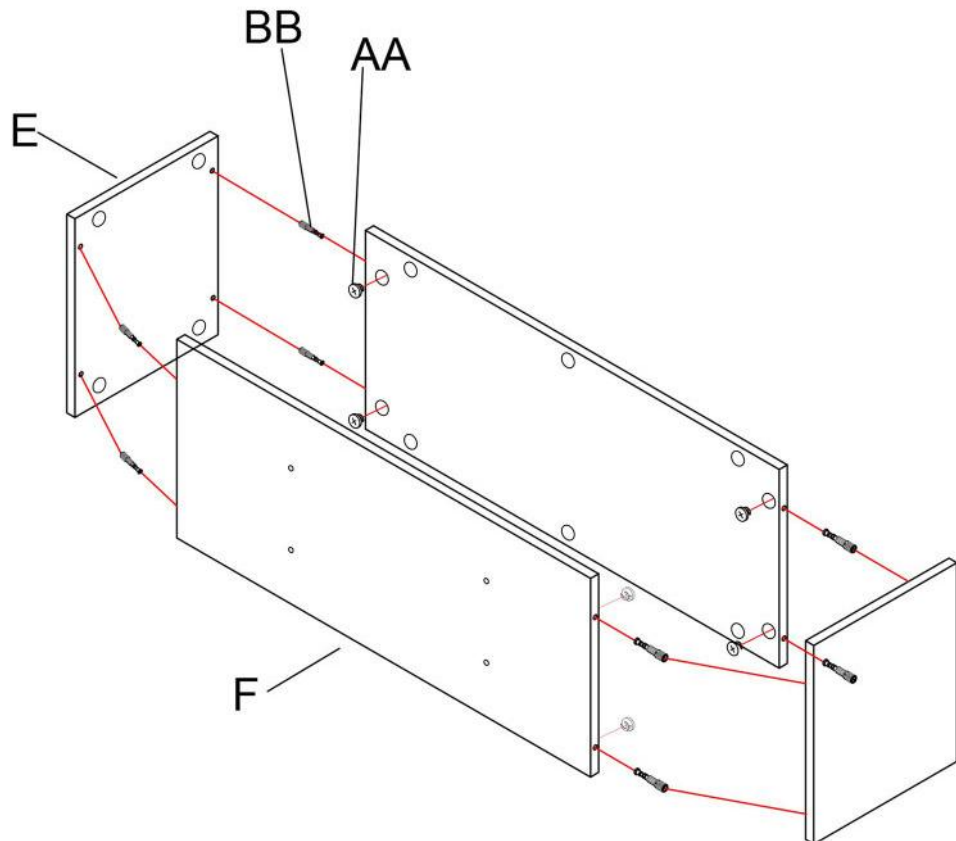




Step 4

AA  x8

BB  x8



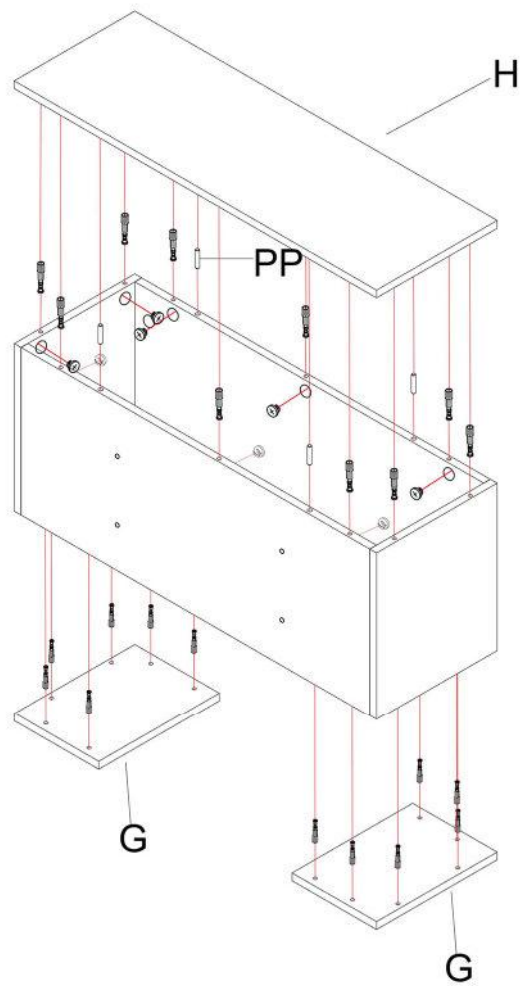
Step 5

P.5/13

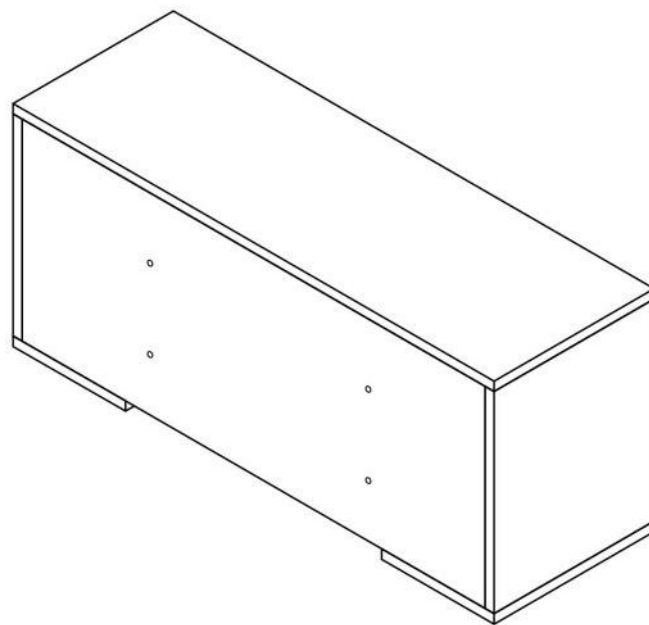
AA  x22

BB  x22

PP  x4



Step 6

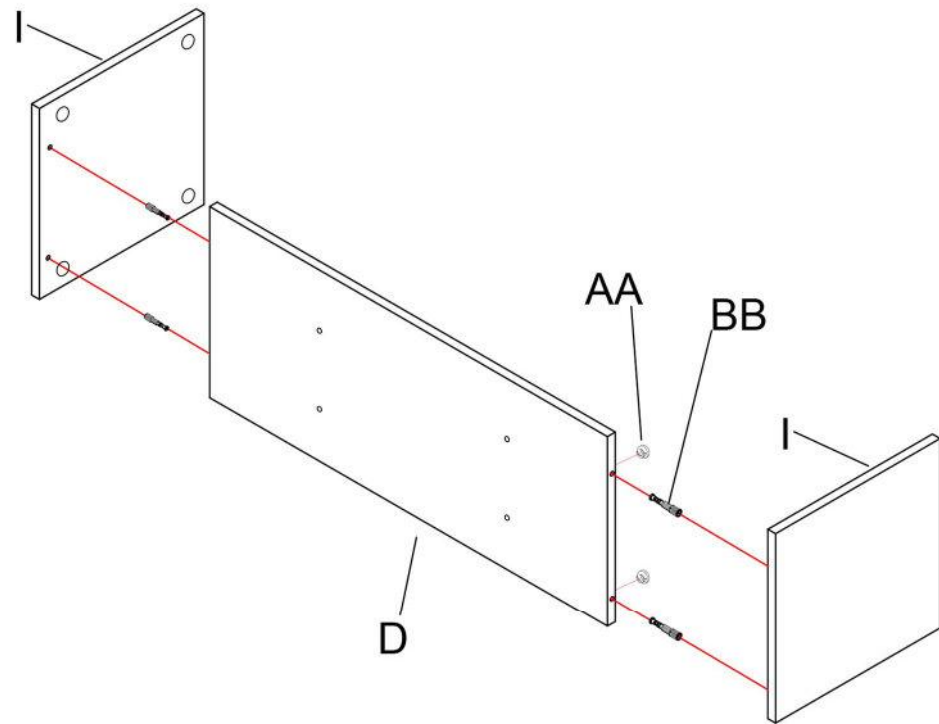


Step 7

P.6/13

AA  x4

BB  x4

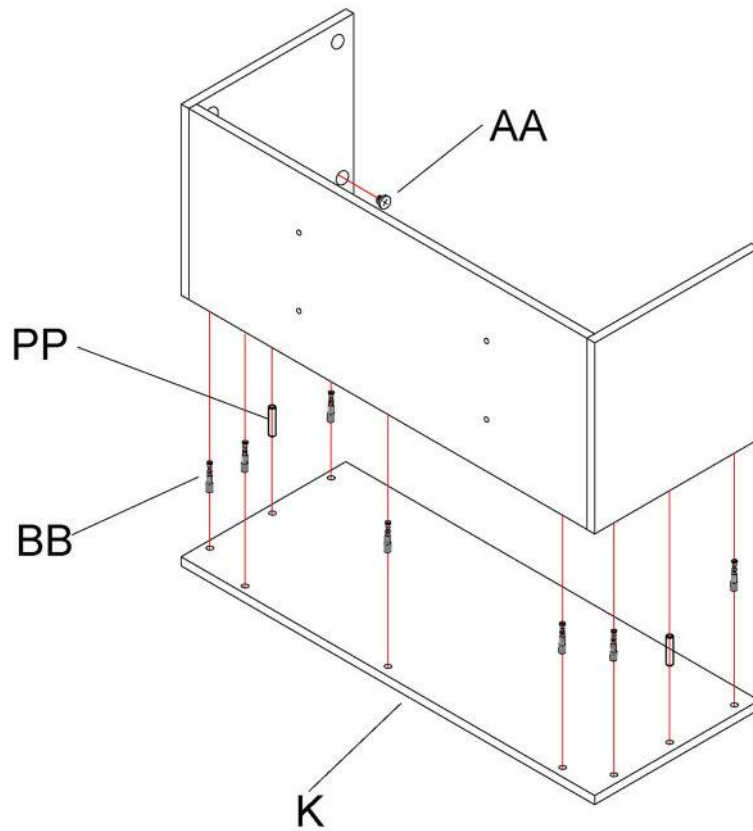


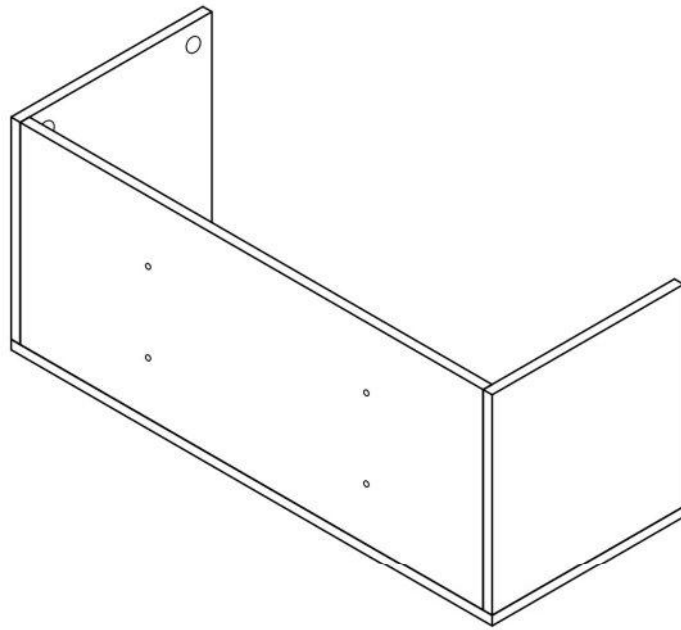
Step 8

AA  x7

BB  x7

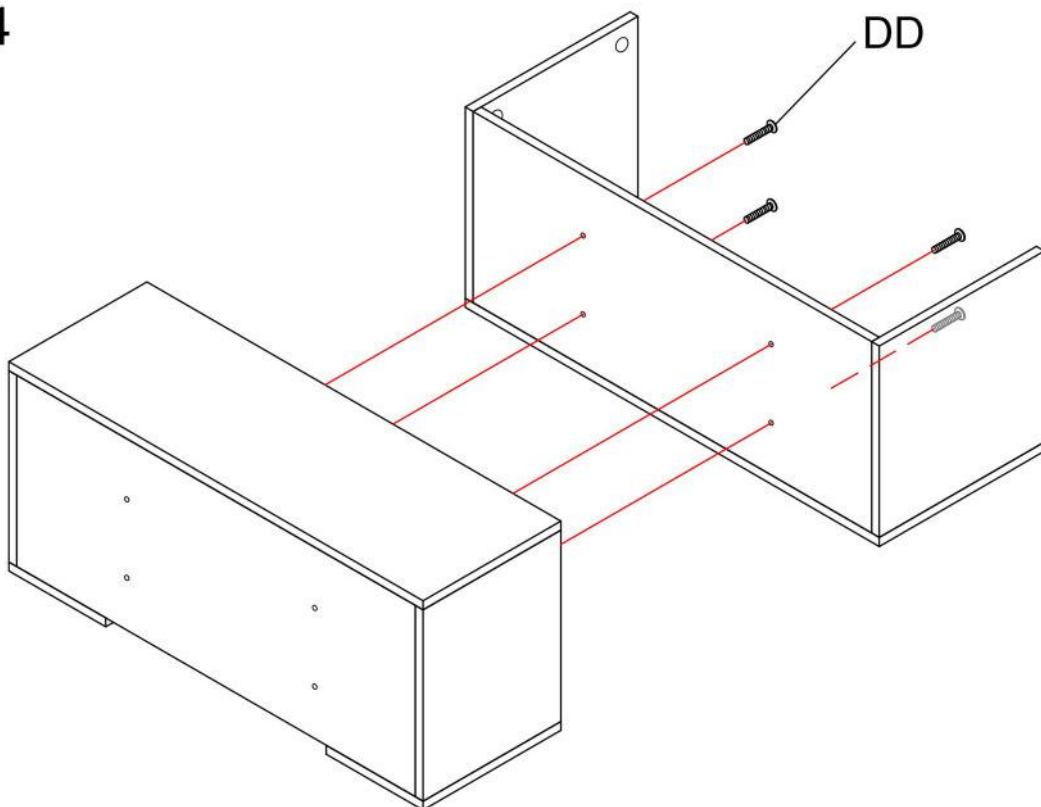
PP  x2





Step 10

DD  x4

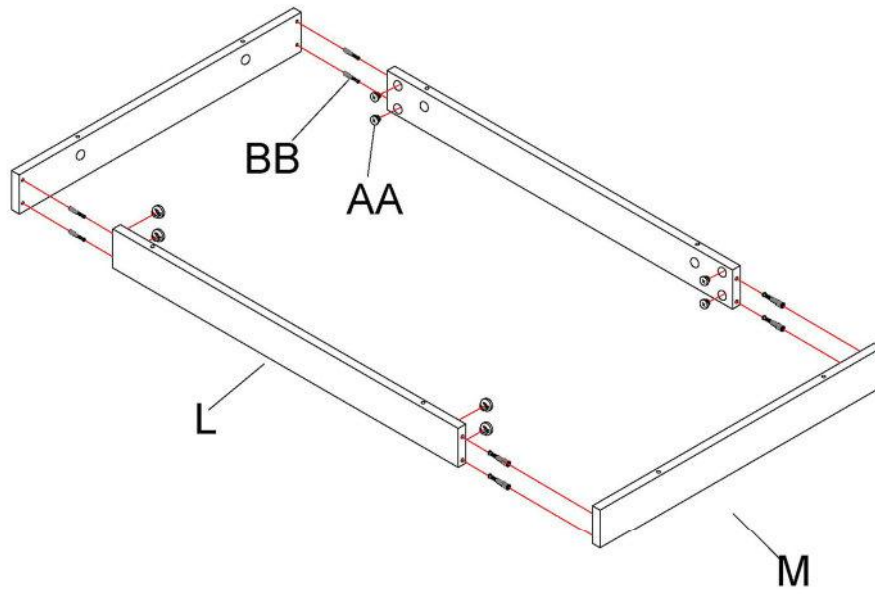


Step 11

P.8/13

AA  x16

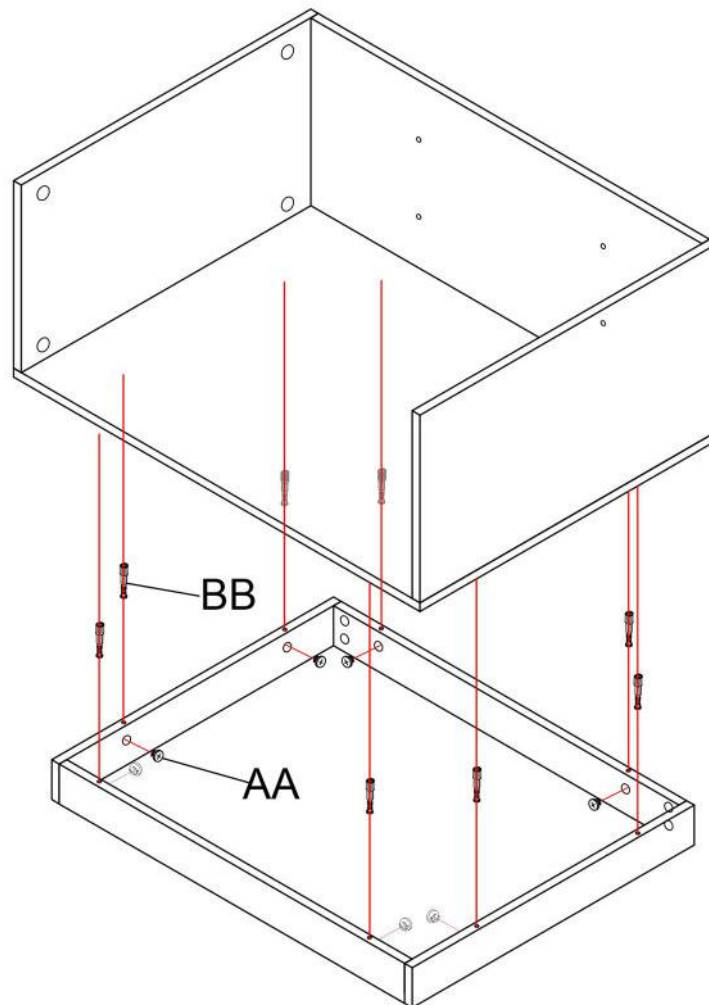
BB  x16



Step 12

AA  x8

BB  x8

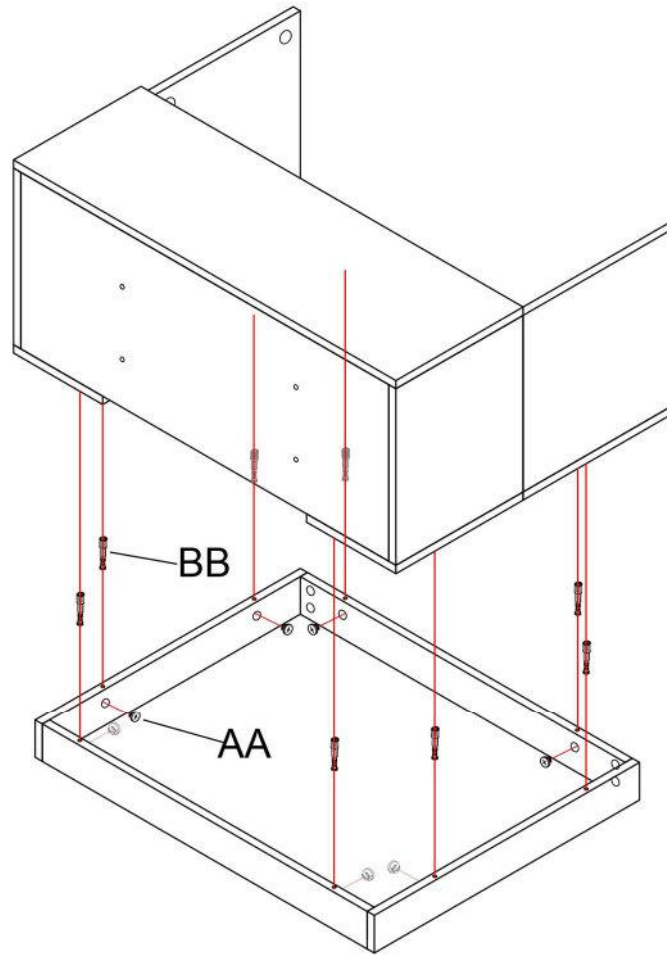


Step 13

P.9/13

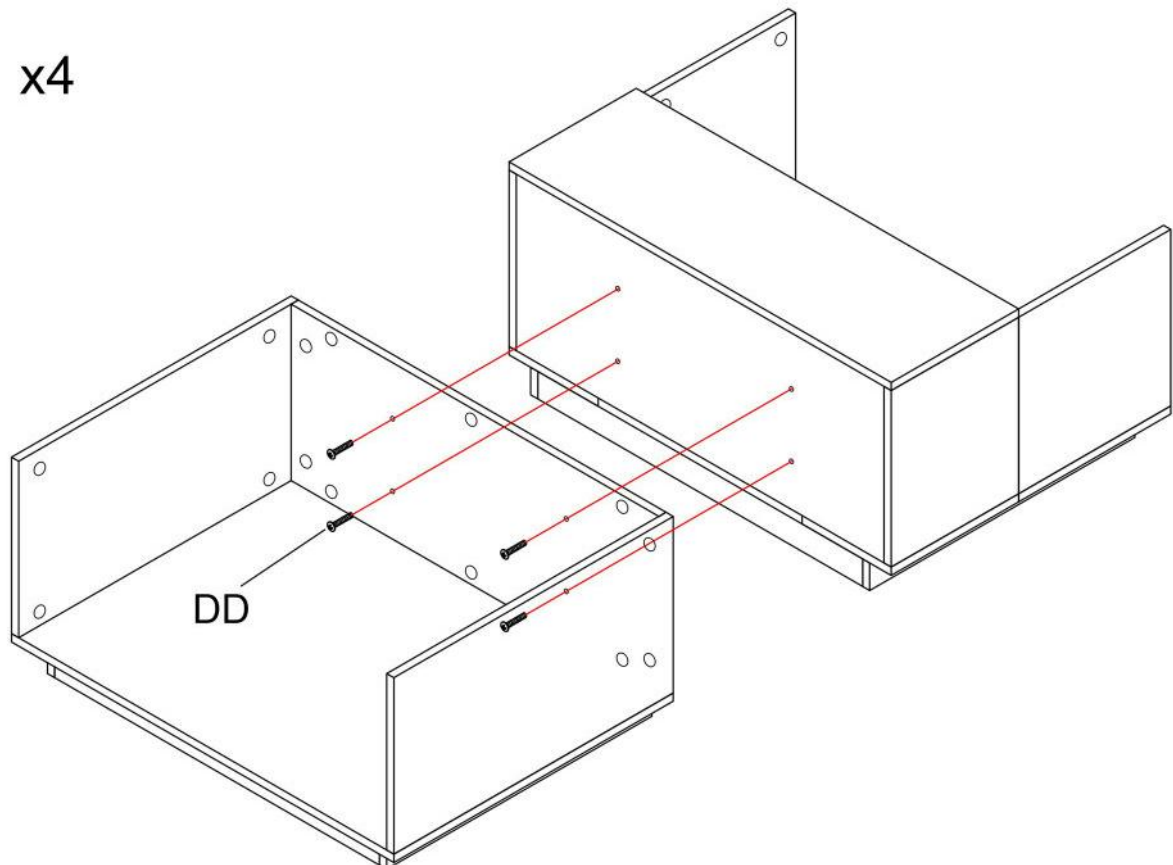
AA  x18

BB  x8



Step 14

DD  x4



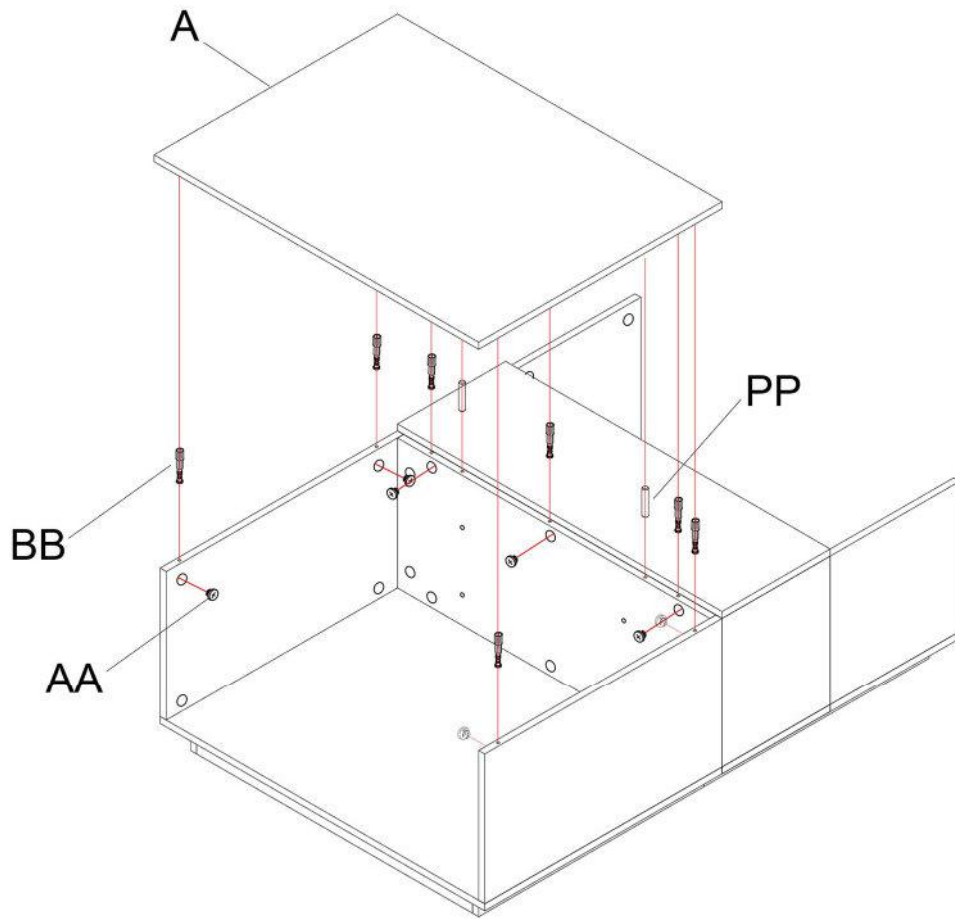
Step 15

P.10/13

AA  x7

BB  x7

PP  x2

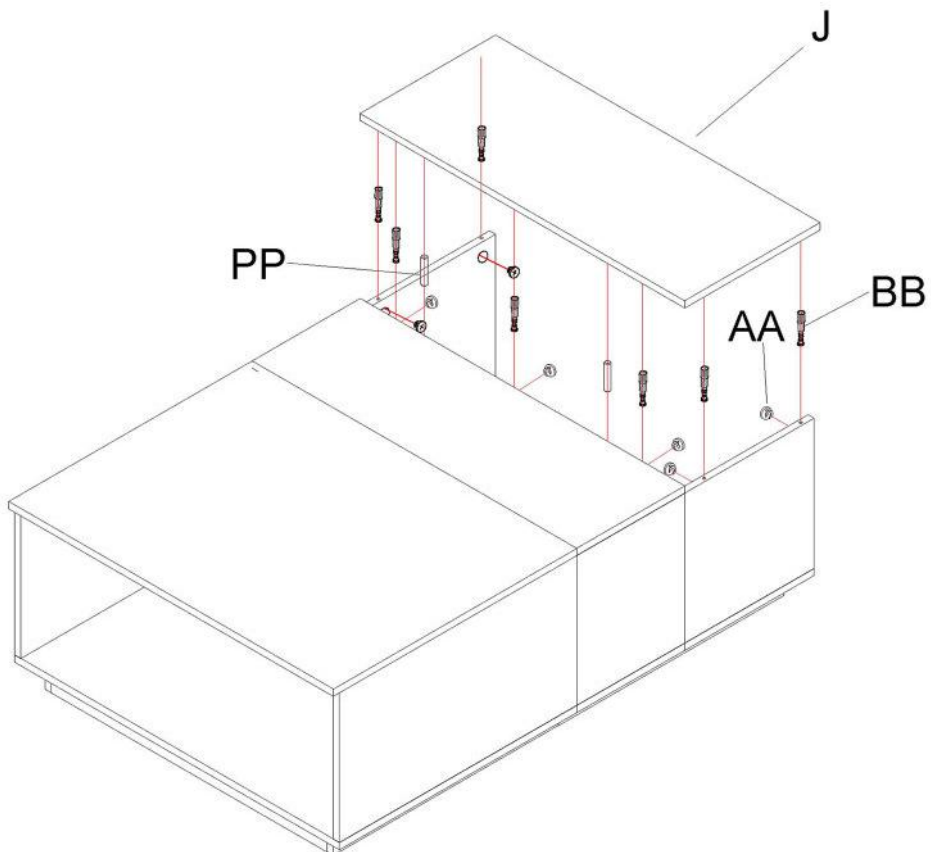


Step 16

AA  x7

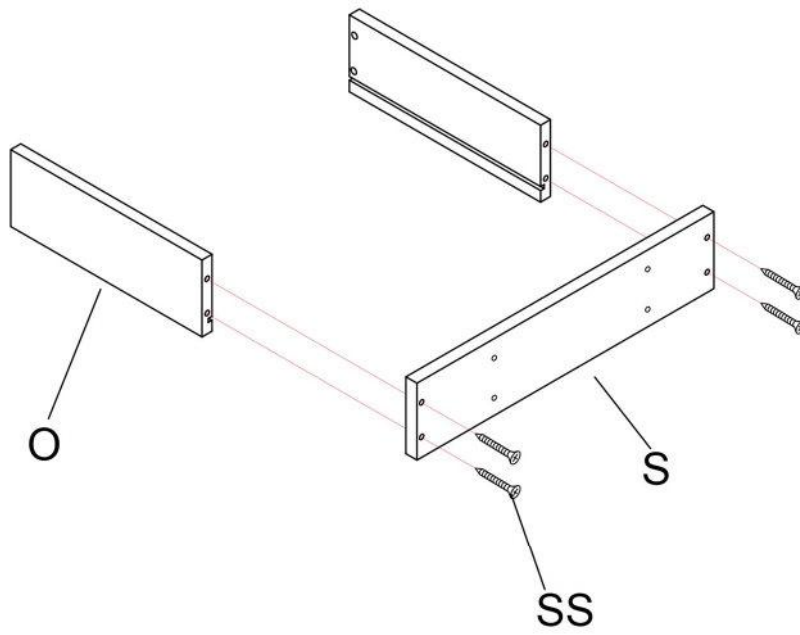
BB  x7

PP  x2



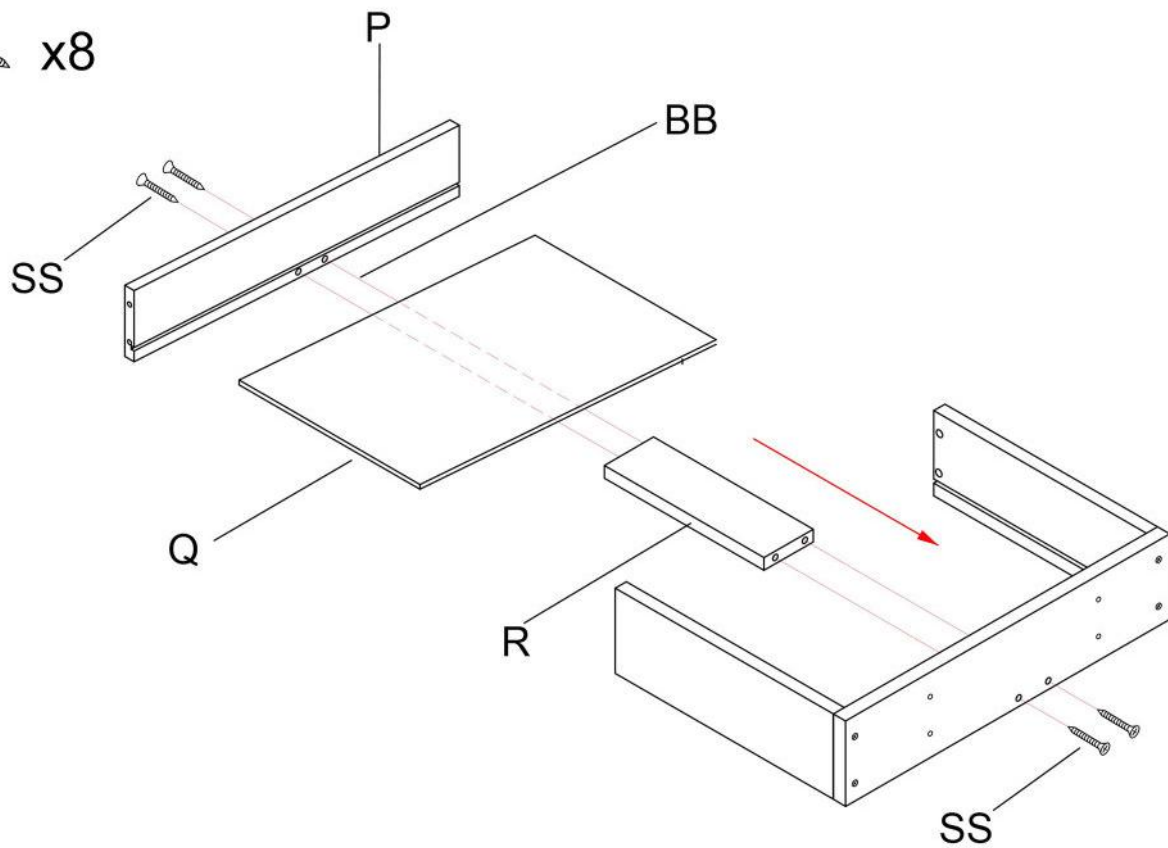
Step 17

SS  x8



Step 18

SS  x8



Step 19

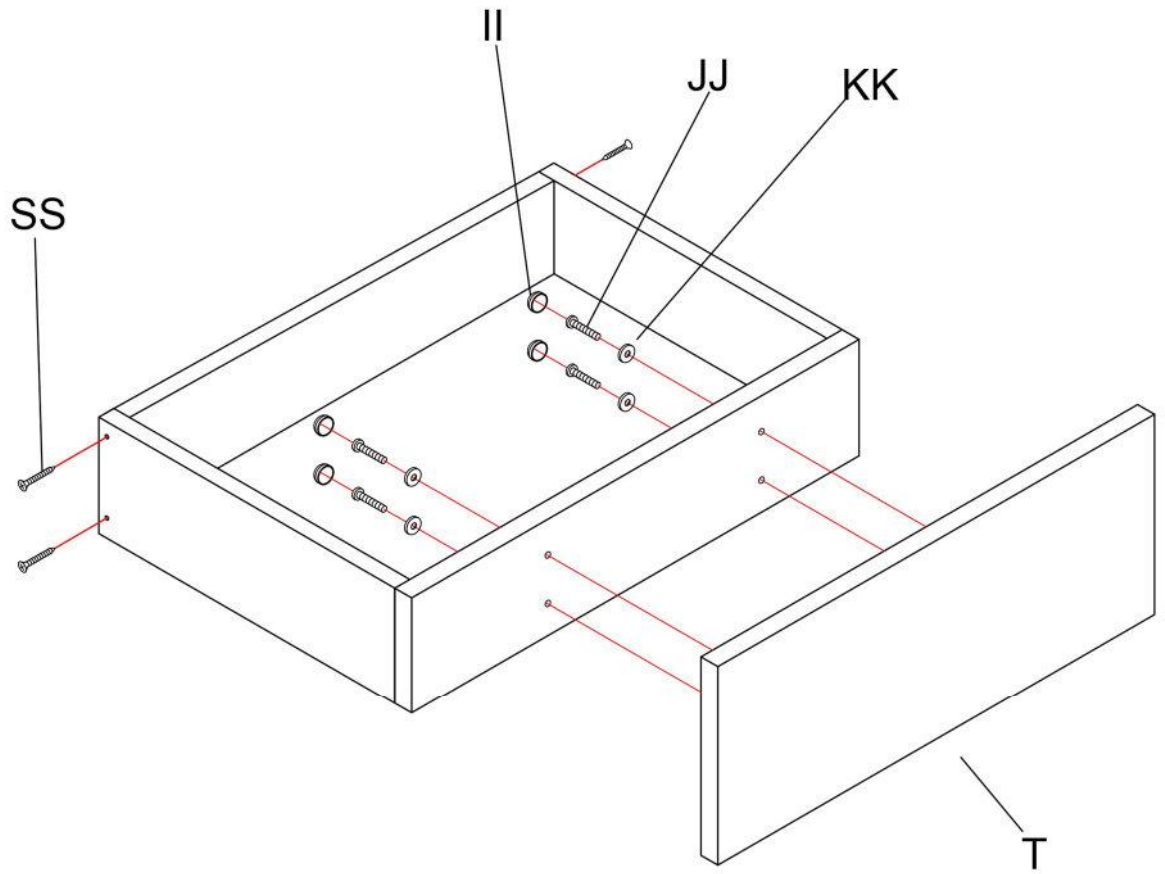
P.12/13

SS  x8

II  x8

JJ  x8

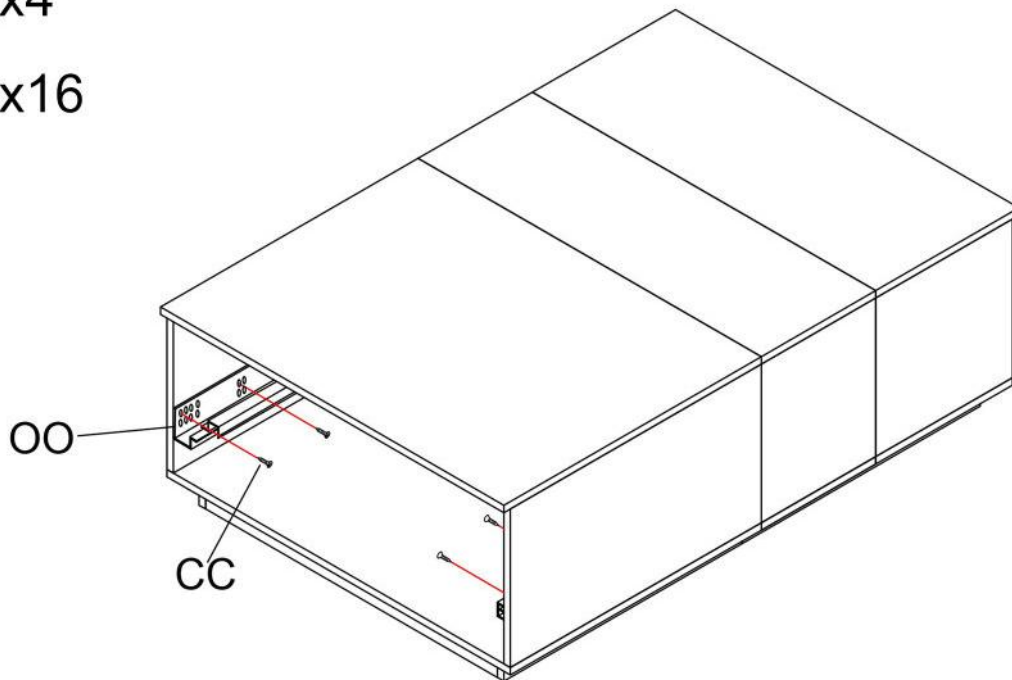
KK  x8

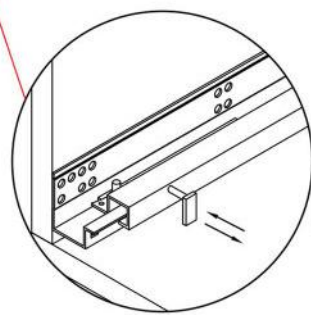
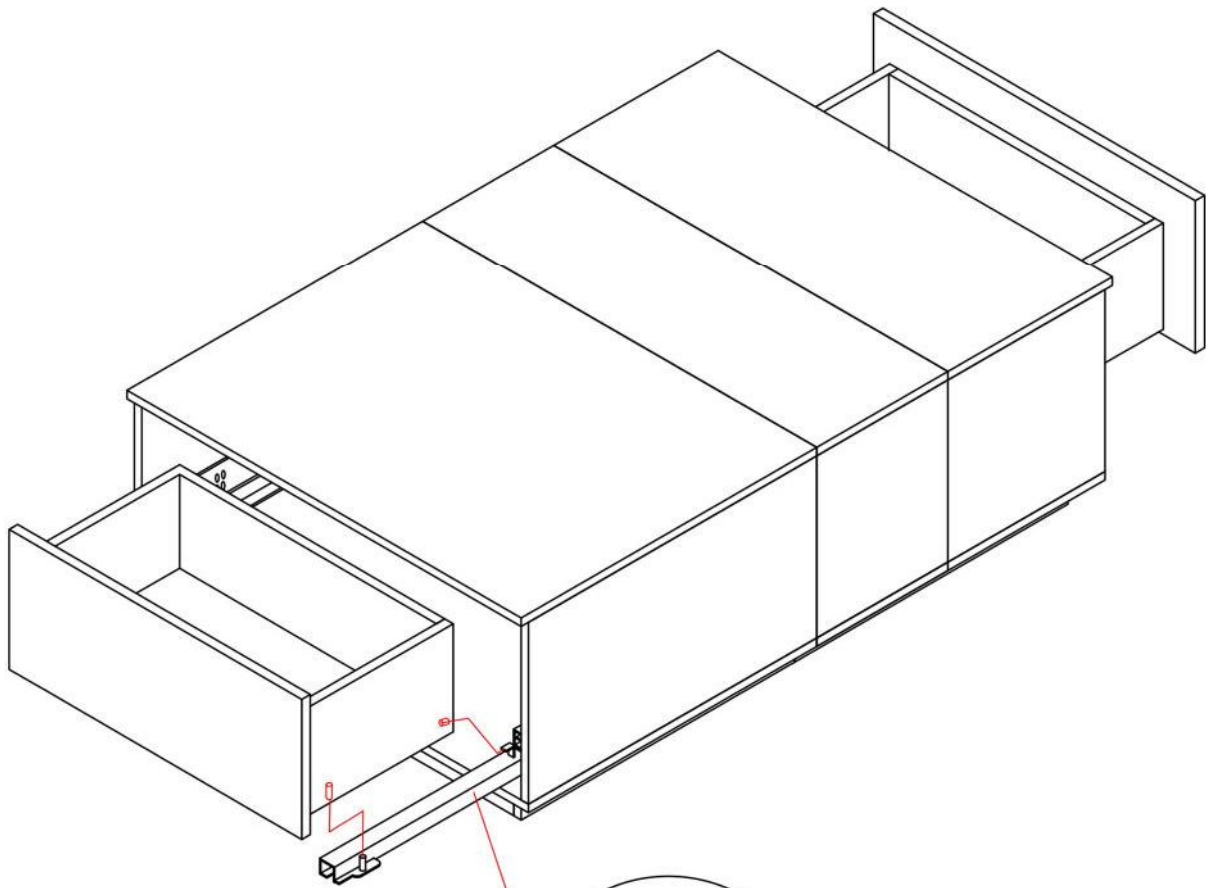


Step 20

OO  x4

CC  x16





Push to lock
Pull to unlock