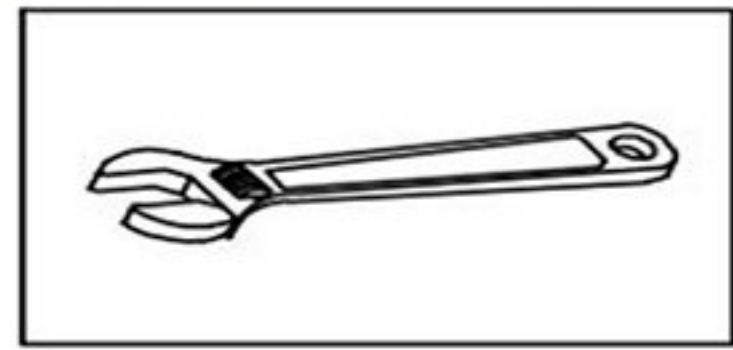
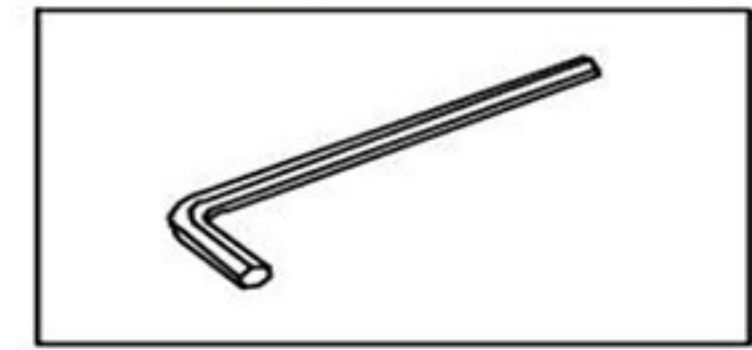


In-Wall Bathtub Faucet Installation

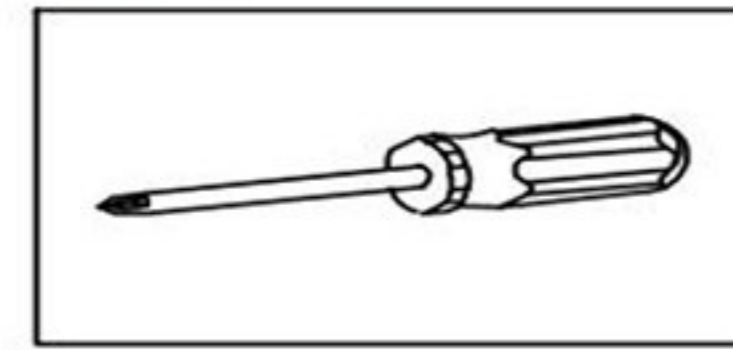
INSTALLATION MANUAL Tools You Will Need:



Adjustable Wrench



Hexagon wrench



Philips Screwdriver

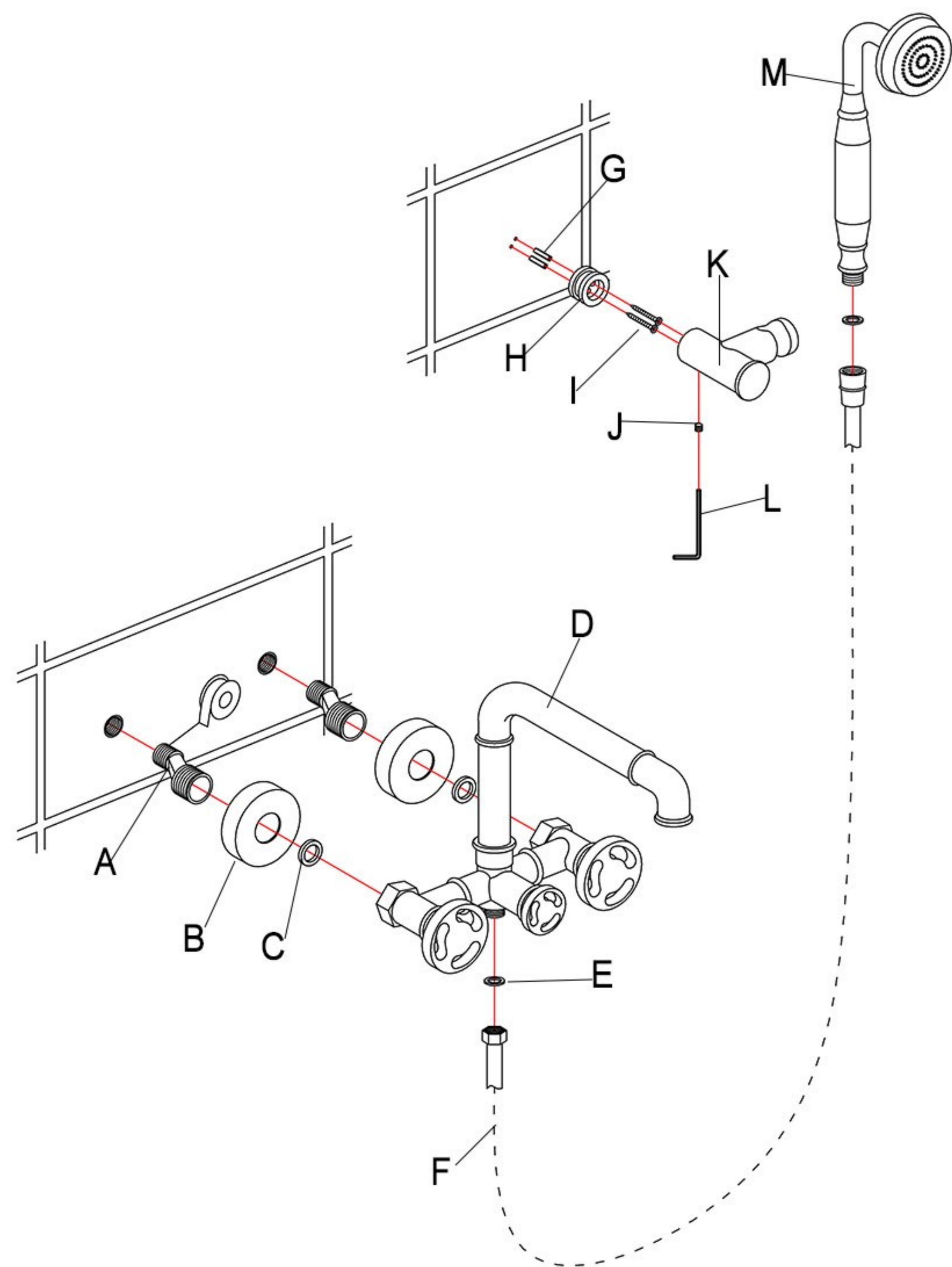
Before the Installation

1. Check the package and confirm all parts are included. If any part is missing or damaged, please contact us.
2. Do not disassemble the main body, as it has been installed & commissioned correctly & precisely before leaving the factory.
3. Shut off the main water supply prior to beginning installation.
4. Do flush the water supply lines to remove any dirt and debris before installation **(IMPORTANT)**.
5. Make sure to connect the hot/cold inlet pipe correctly. If standing in front, connect hot water pipe to the left and cold water pipe to the right.
6. After the installation, check for leaks and make sure every joint is safely sealed.

Cleaning and Maintenance

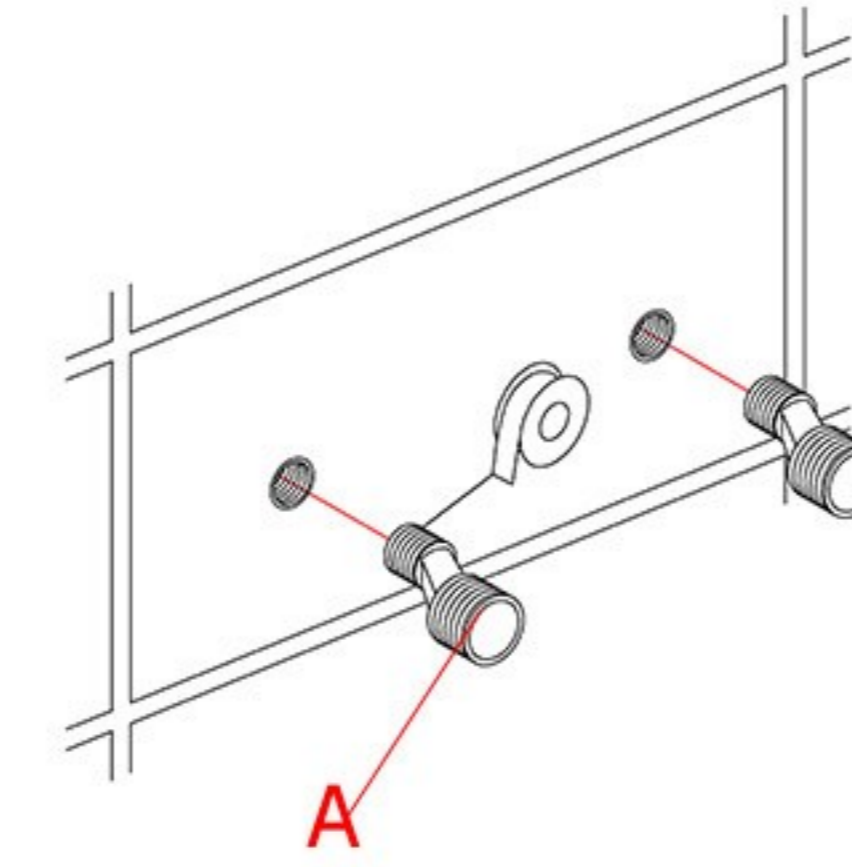
1. Rinse with clean water and dry with a soft cloth.
2. Do not use any detergent, acid, polisher, abrasives, or harsh cleaners.
3. Do not use cloth with a coarse surface.

Parts List

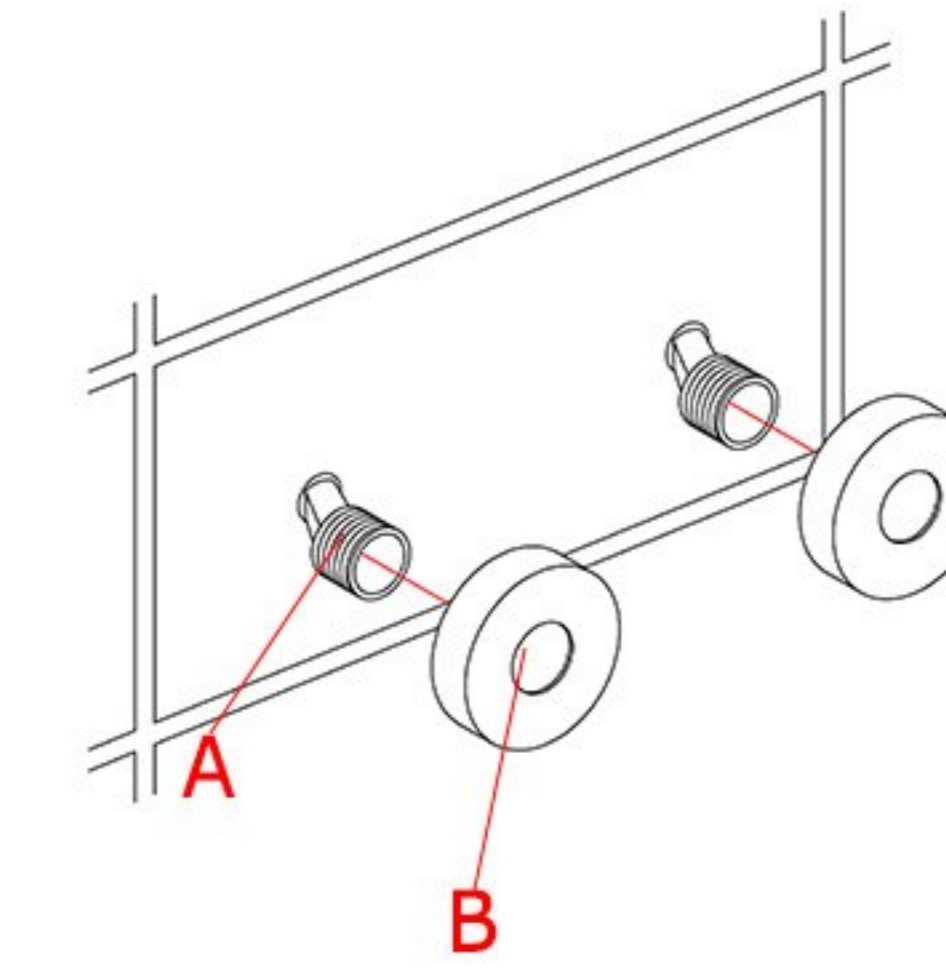


Part	Name	Quantity
A	S-union	2
B	escutcheon	2
C	spacer	2
D	faucet body	1
E	rubber washer	2
F	hose	1
G	expansion bolt	2
H	retaining bracket	1
I	expansion screw	2
J	set screw	1
K	hand shower holder	1
L	Allen key	1
M	hand shower	1

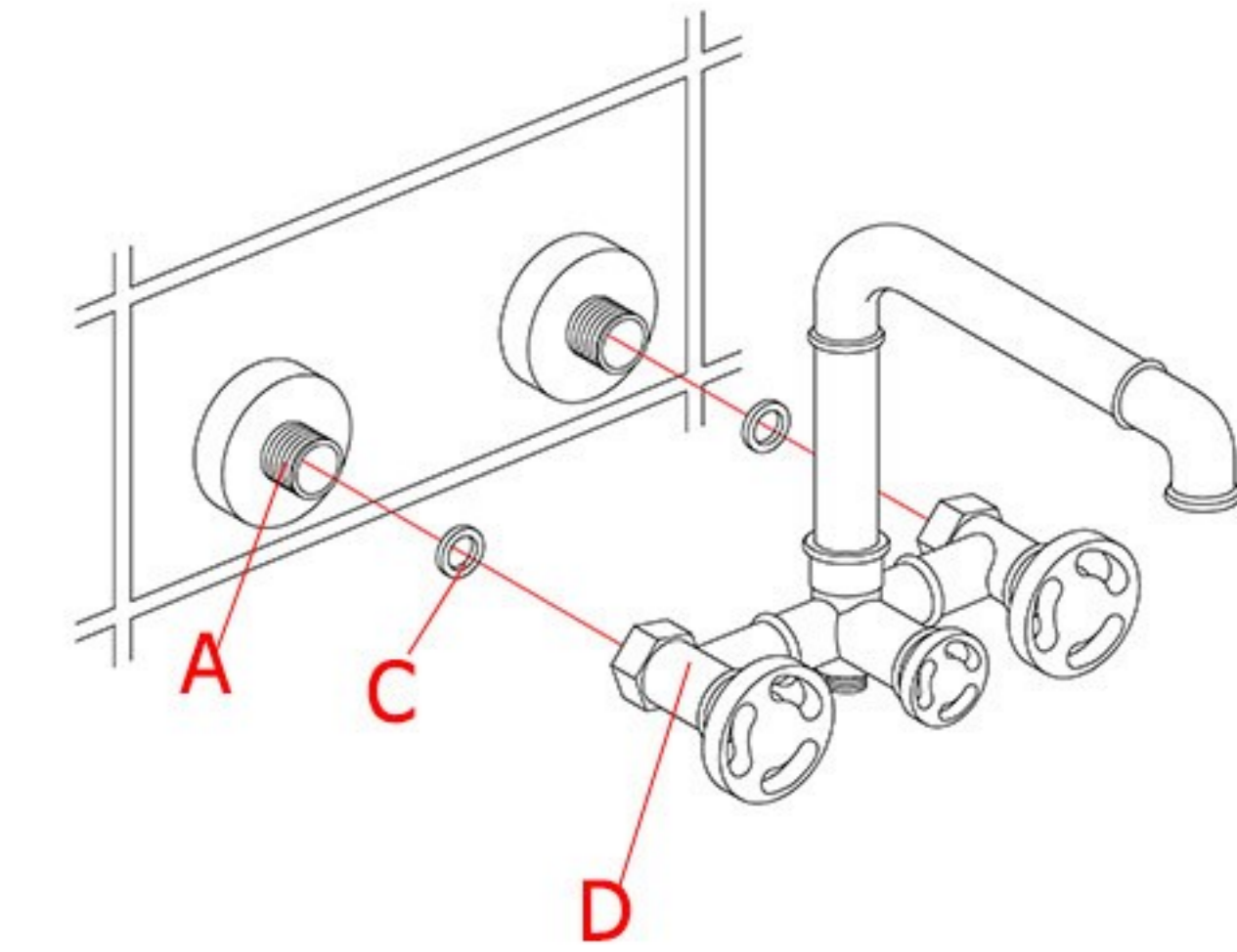
Installation Guide



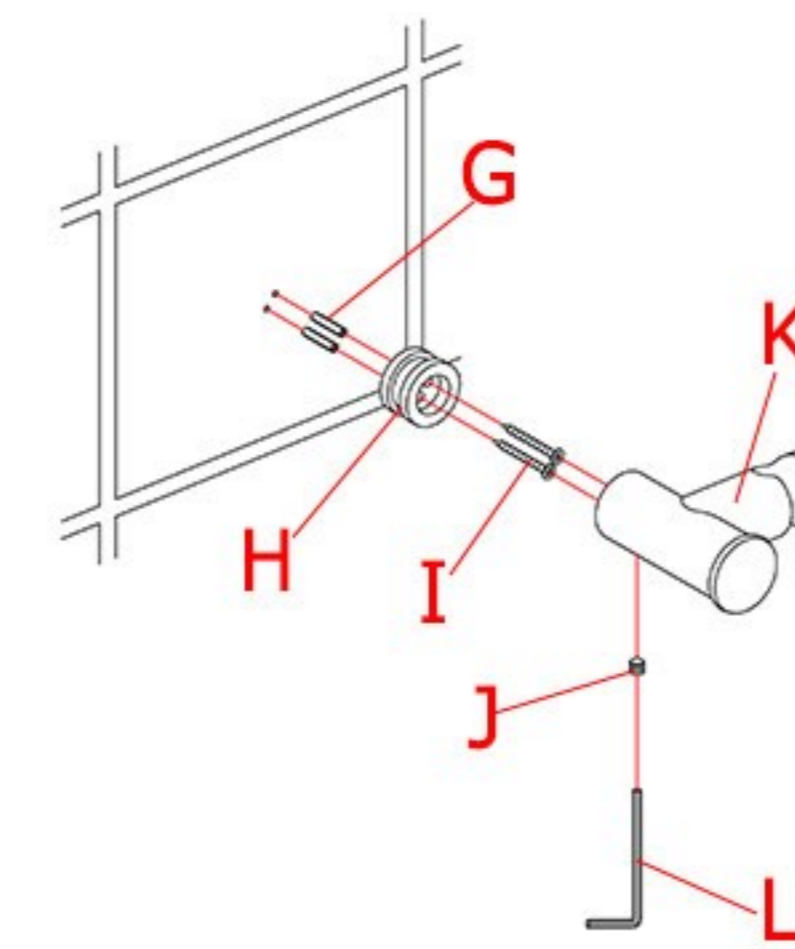
1. Shut off the water and flush your water inlets to drain the debris away. Wrap the Teflon tape (not included) to the S-unions (A) and insert them into the pre-drilled holes on the wall.



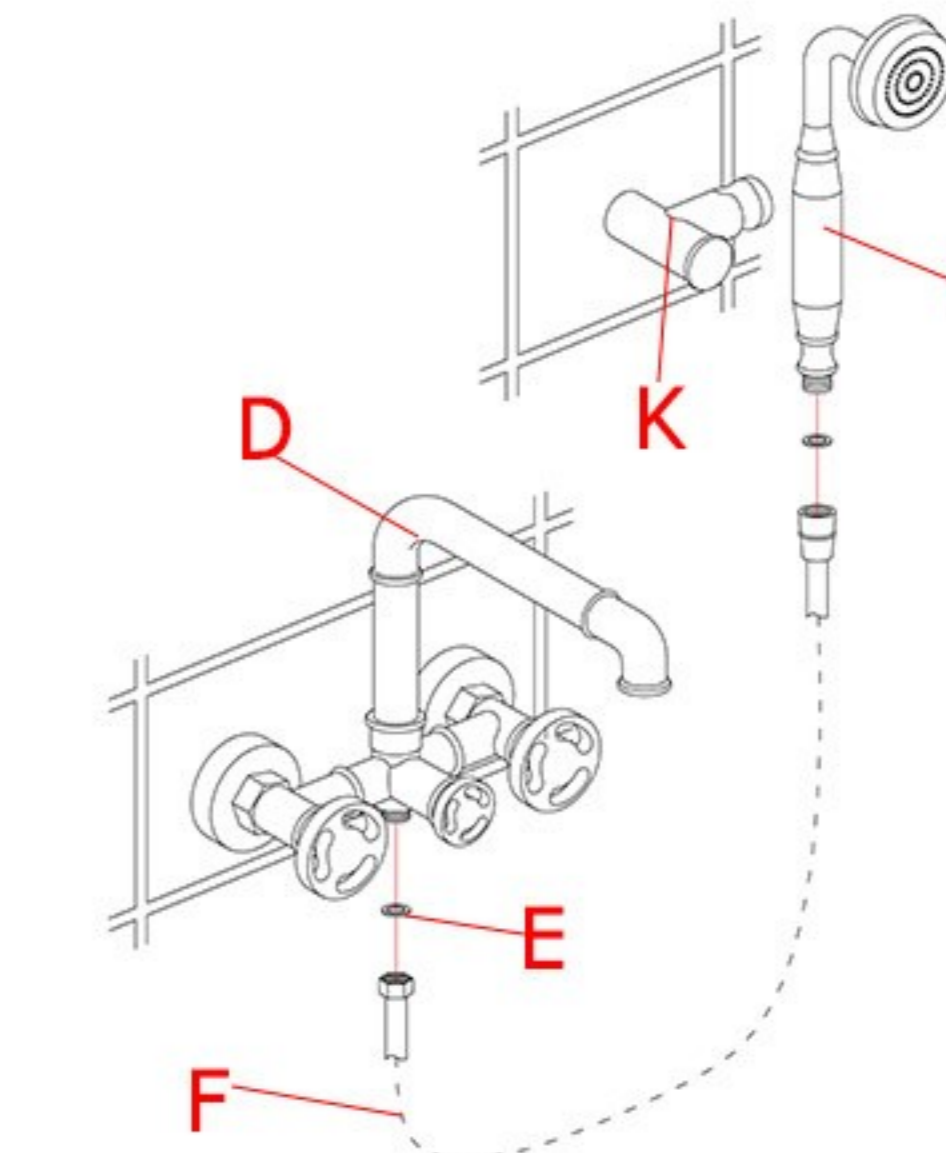
2. Attach the escutcheons (B) onto the S-unions (A) and push them against the wall.



3. Insert the spacers (C) into the holes of the faucet body (D) and screw the faucet body up to the S-unions (A).



4. Put the retaining bracket (H) on the wall and mark holes to drill with a percussion driller (not included). Suit the expansion bolts (G) into the holes and fix the retaining bracket on the wall by screwing on the expansion screws (I) into the bolts. Put the hand shower (M) holder through the retaining bracket. Insert the set screw (J) and tighten the screw with the Allen key (L) to install the retaining bracket.



5. Put the rubber washers (E) to both ends of the hose (F) and connect one end to the hand shower (M) and the other to the bottom of the faucet body (D). Put the hand shower on the holder (K) and turn on the faucet to test.

Troubleshooting

Problem	Possible Cause	Corrective Action
Water does not shut off completely.	1. O-ring is not seated correctly or worn. 2. Cartridge may be defective.	1. Reseat or replace O-ring. 2. Replace cartridge.
Leaks at waterline connection.	1. Worn or broken washer. 2. Faucet body may be defective.	1. Replace washer. 2. Replace faucet (contact us for the replacement).
Leaks from handle.	1. Cartridge may come loose. 2. Cartridge may be defective.	1. Reseat cartridge tight. 2. Replace cartridge.
Leaks at hose connection.	1. Hose connection is loose.	1. Tighten hose. 2. Replace hose.
Leaks at shower valve connection.	1. Connection may come loose or not sealed completely. 2. Defective shower valve inlet or outlet connector.	1. Check connections. 2. Replace valve body.
Diverter knob does not work.	1. Diverter cartridge may be defective.	1. Replace cartridge.
LED light does not Light or noisy LED showerhead.	1. Defective LED generator.	1. Replace LED spray head (for kitchen faucet). 2. Replace LED threaded pipe (for separate faucet spout). 3. Replace LED generator (for others).
Low flow.	1. Check for water pressure problems. 2. Aerator may be dirty or clogged.	1. Clean or replace the aerator. 2. Remove waterflow restrictor if available. 3. Install booster or pump (if applicable).