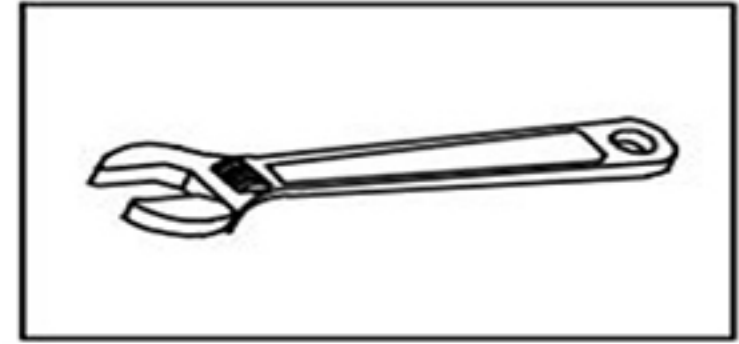
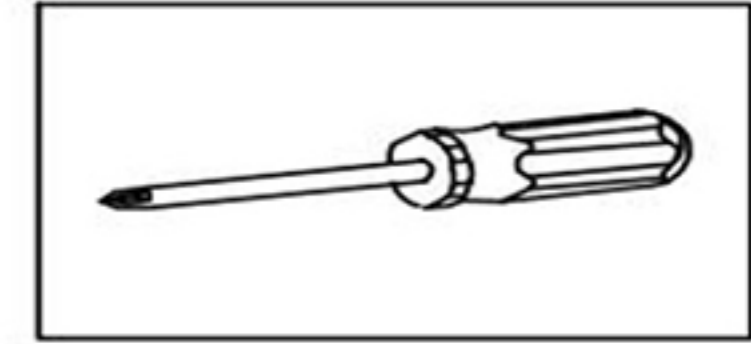


# Light Fixture Installation

## Tools Required:



Adjustable Wrench

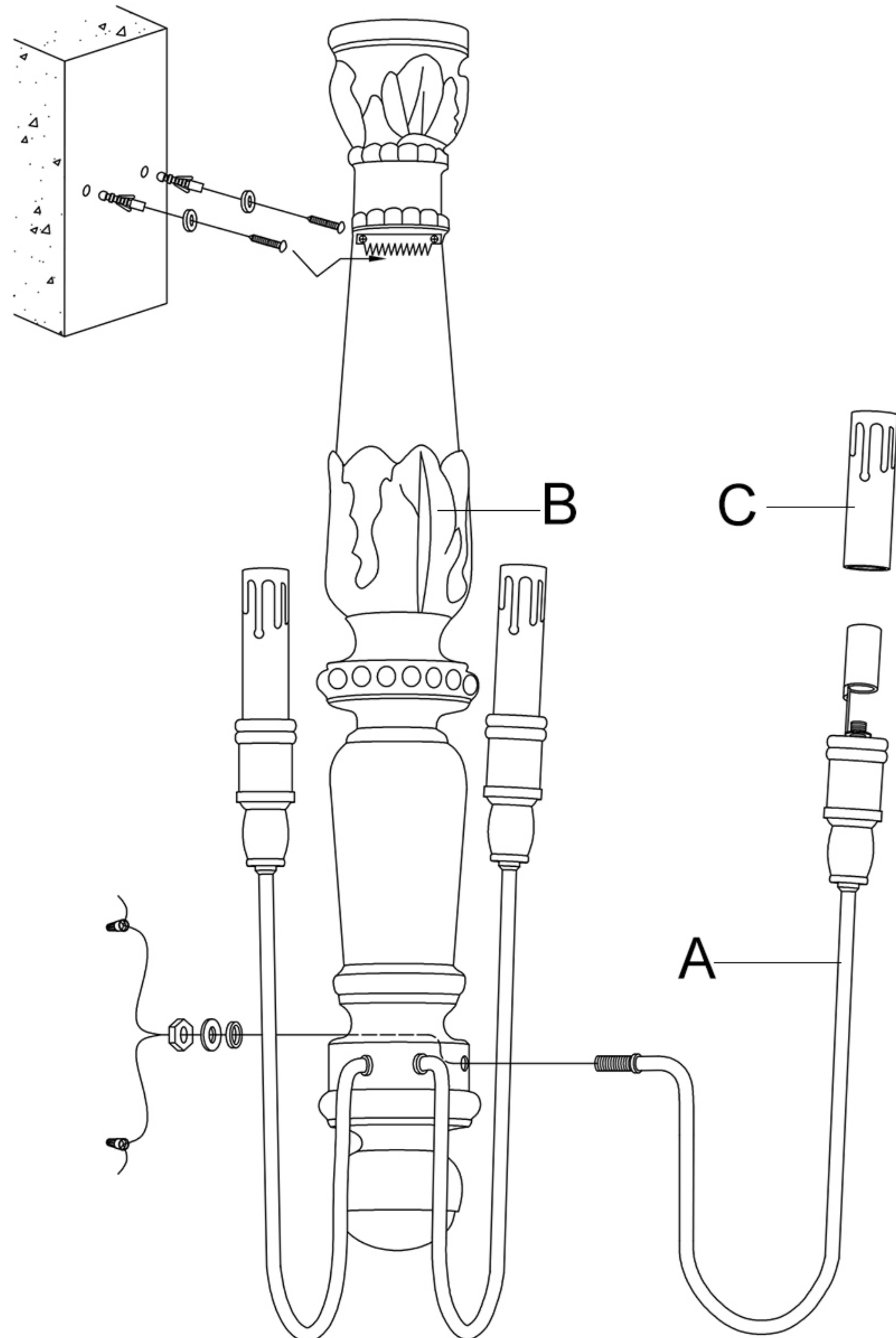


Philips Screwdriver

## Before Installation

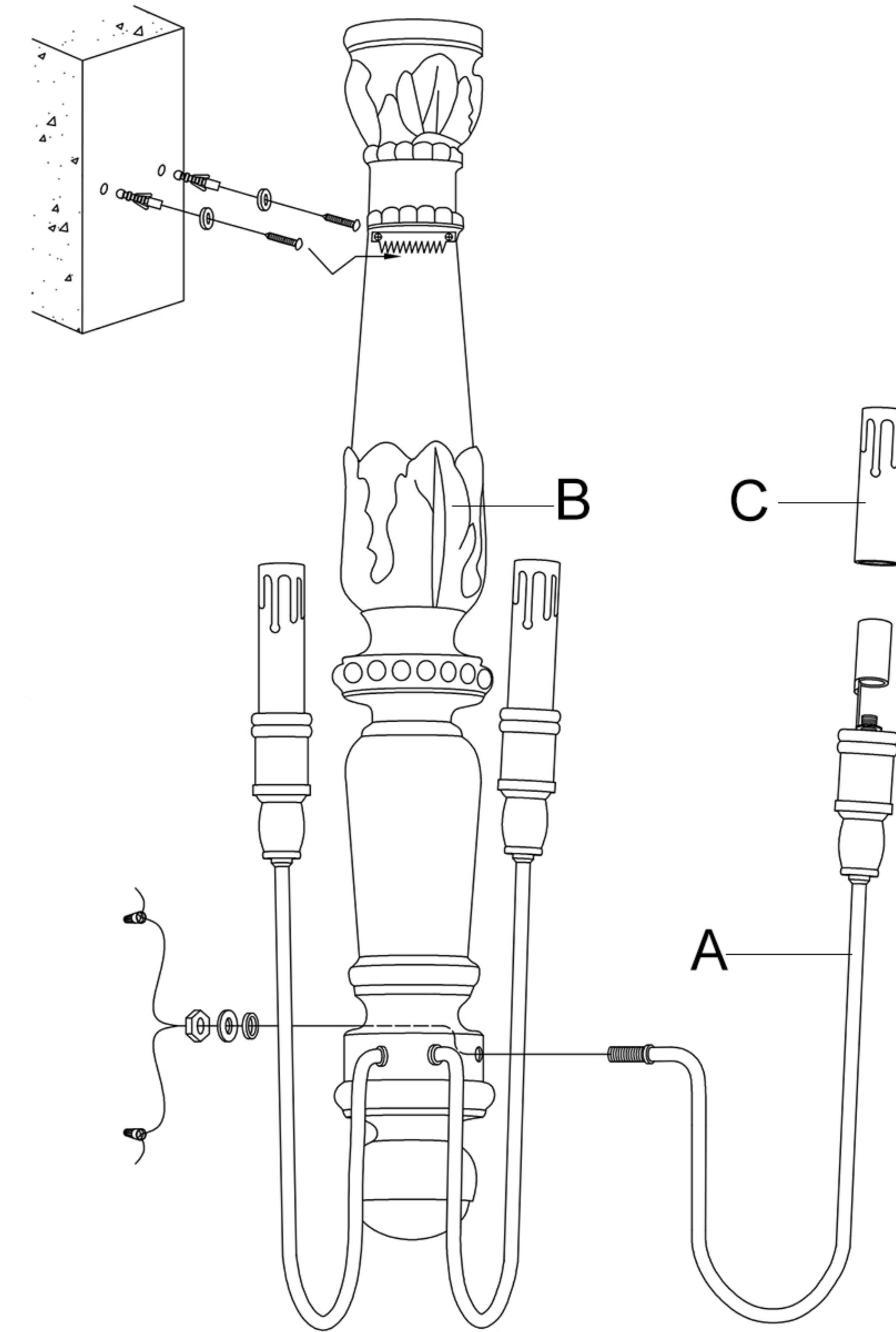
1. Please read these instructions before assembling or installing the product. **NOTE:** Installation by a licensed electrician is recommended.
2. Take out the fixture and the mounting package and make sure all parts are included. If any part is missing or damaged, please contact us.
3. All parts must be used as indicated in these instructions. Do not substitute any parts, leave parts out, or use any parts that are worn out or broken.
4. Do not disassemble the main body, as it has been installed & commissioned correctly & precisely before leaving the factory.
5. **IMPORTANT:** Turn off the main power at the circuit breaker and place the wall switch or pull chain in the "OFF" position.
6. Do not use bulbs with wattage greater than specified on this fixture.

## Parts List



Part	Name	Quantity
A	light arm	3
B	light fixture	1
C	sleeve	3

## Installation Guide



1. Shut off the power before installation.
2. Drill holes and install the anchors and screws.
3. Insert light arms (A) with wires into light fixture (B) and fix with washer and nut.
4. Connect wires with wire connectors to the corresponding wires in wall.
5. Hang the light fixture (B) onto the screws.
6. Install sleeves (C) and screw in the light bulbs (not included with the light fixture). Turn on the power and test.

## Troubleshooting

Problem	Possible Cause	Corrective Action
Fixture does not light.	<ol style="list-style-type: none"> <li>1. Fixture may be wired incorrectly.</li> <li>2. Worn or broken bulb.</li> <li>3. Lamp socket or LED transformer (if applicable) may go bad.</li> </ol>	<ol style="list-style-type: none"> <li>1. Check wiring.</li> <li>2. Replace bulb.</li> <li>3. Replace lamp socket or LED transformer (if applicable).</li> </ol>
Light bulb flickers.	<ol style="list-style-type: none"> <li>1. Switch Contacts are bad.</li> <li>2. Wire connections are loose.</li> <li>3. Light bulb socket may go bad.</li> </ol>	<ol style="list-style-type: none"> <li>1. Replace the switch.</li> <li>2. Check wire connections.</li> <li>3. Replace the socket.</li> </ol>