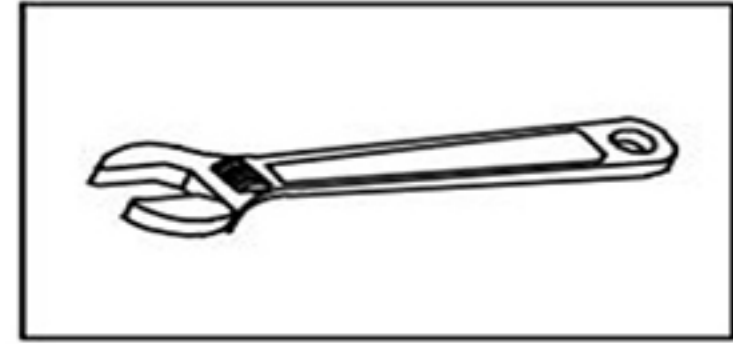
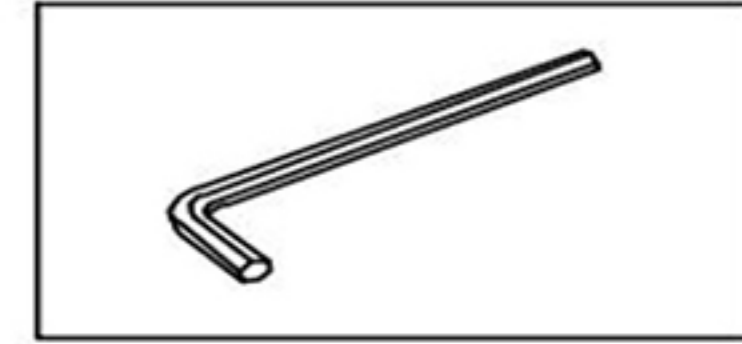


Shower System Installation

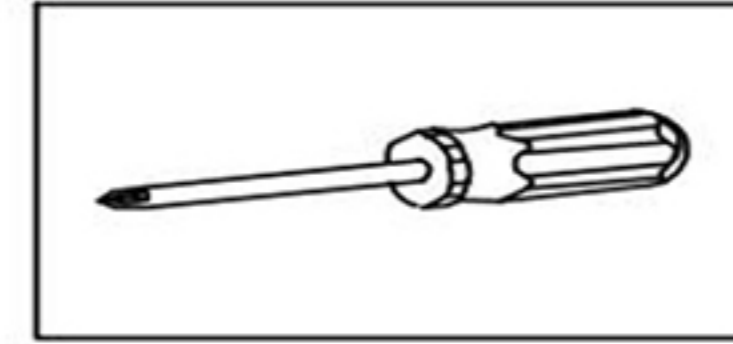
INSTALLATION MANUAL Tools You Will Need:



Adjustable Wrench



Hexagon wrench



Philips Screwdriver

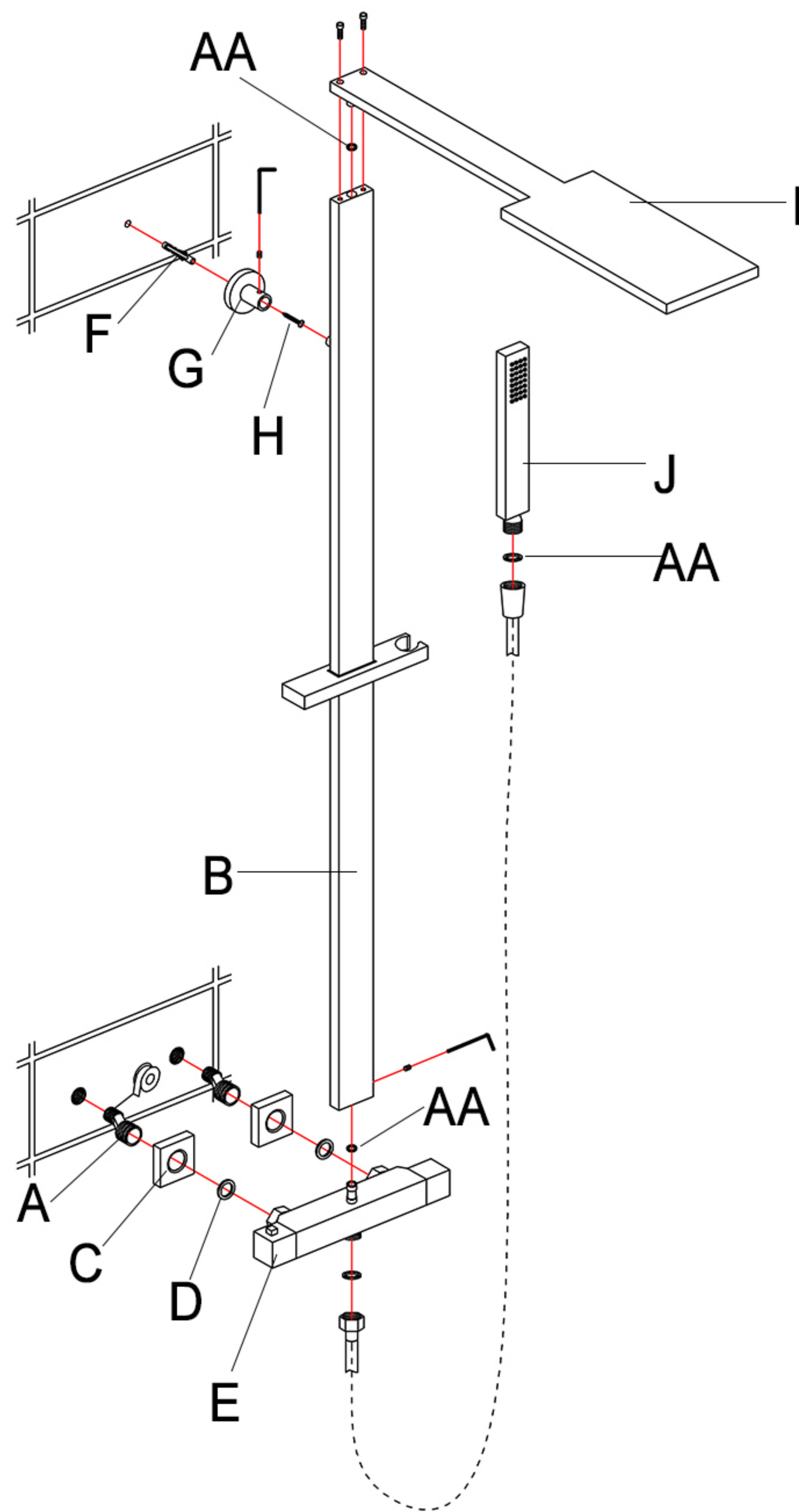
Before the Installation

1. Check the package and confirm all parts are included. If any part is missing or damaged, please contact us.
2. Do not disassemble the main body, as it has been installed & commissioned correctly & precisely before leaving the factory.
3. Shut off the main water supply prior to beginning installation.
4. Do flush the water supply lines to remove any dirt and debris before installation (**IMPORTANT**).
5. Make sure to connect the hot/cold inlet pipe correctly. If standing in front, connect hot water pipe to the left and cold water pipe to the right.
6. After the installation, check for leaks and make sure every joint is safely sealed.

Cleaning and Maintenance

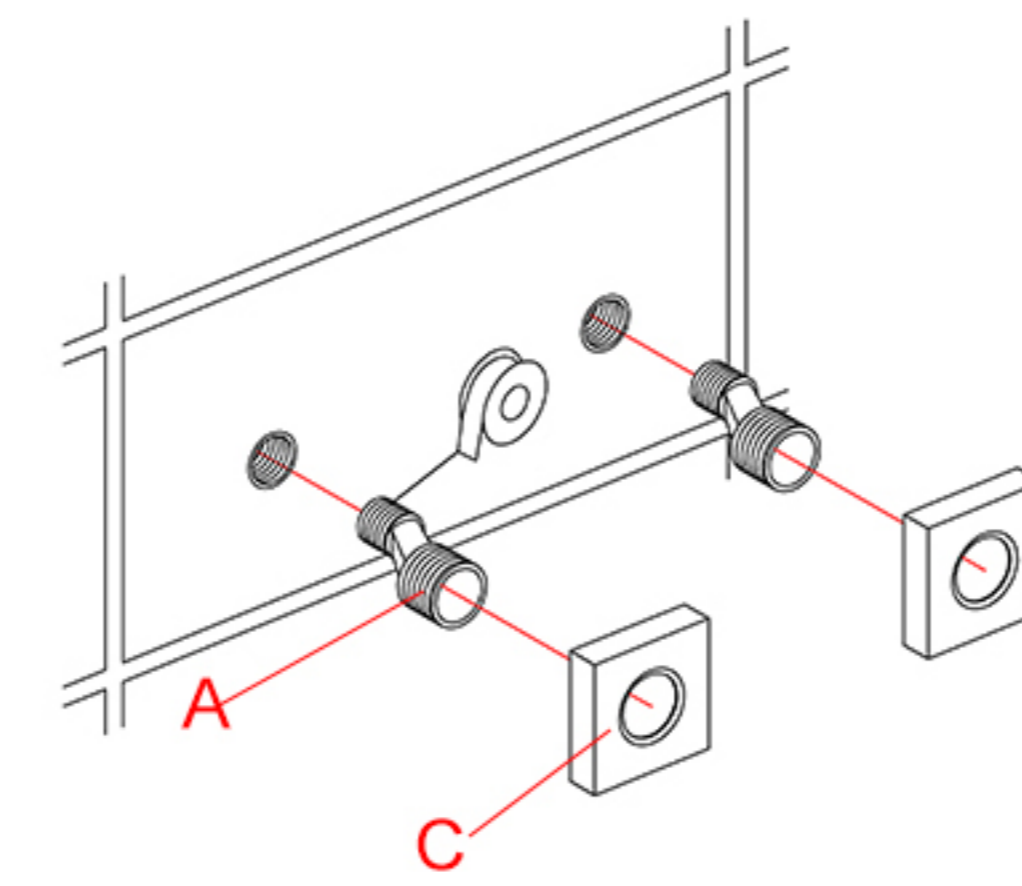
1. Rinse with clean water and dry with a soft cloth.
2. Do not use any detergent, acid, polisher, abrasives, or harsh cleaners.
3. Do not use cloth with a coarse surface.

Parts List

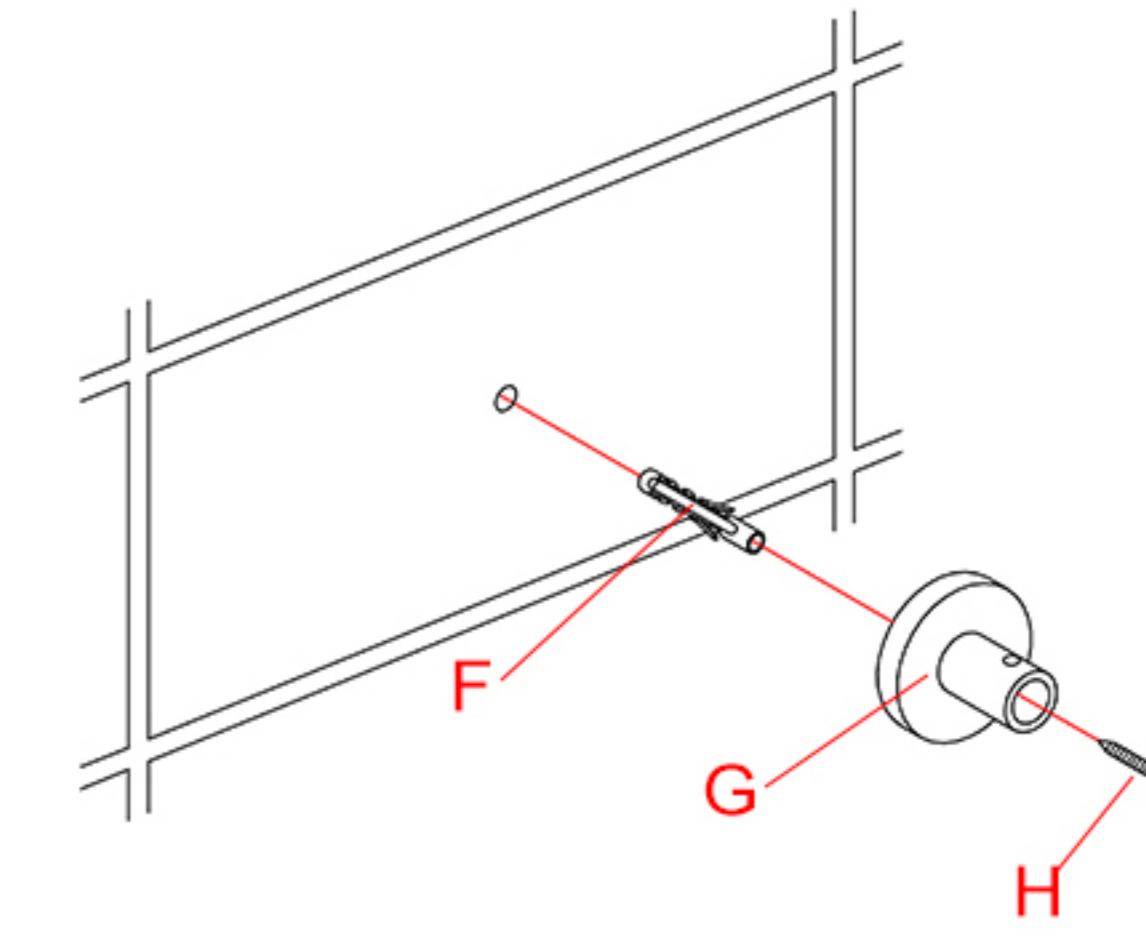


Part	Name	Quantity
A	s-union	2
B	riser	1
C	escutcheon	2
D	washer	2
E	valve body	1
F	anchor	1
G	wall plate	1
H	mounting screw	2
I	shower head	1
J	handshower	1
AA	rubber washer	4

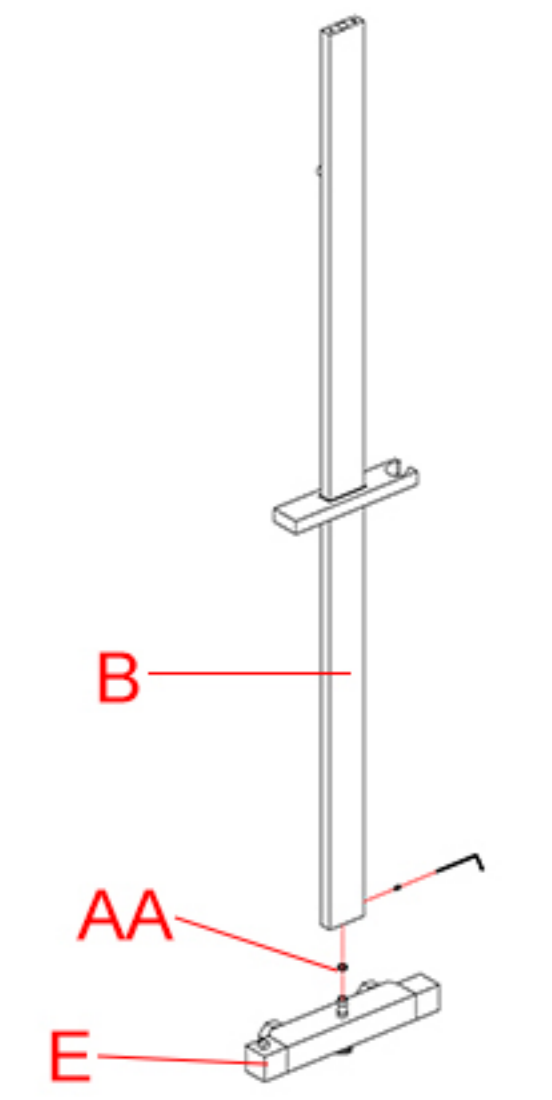
Installation Guide



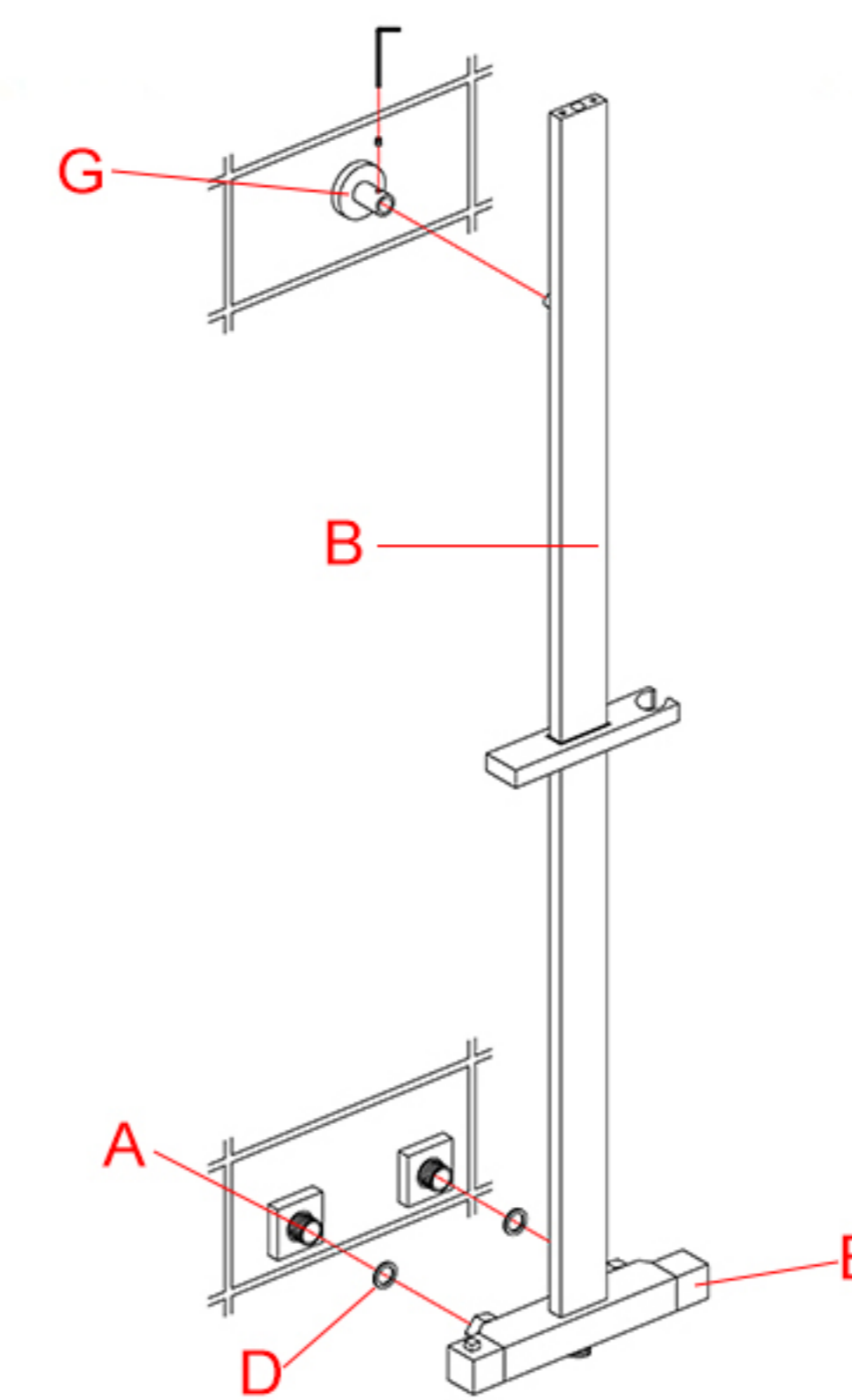
1. Wrap the threads of the s-union (A) with teflon tape. Screw the s-unions (A) into the female fittings of the water supplies. Make sure that the s-unions (A) are level. Install the escutcheons (C) to the s-union (A).



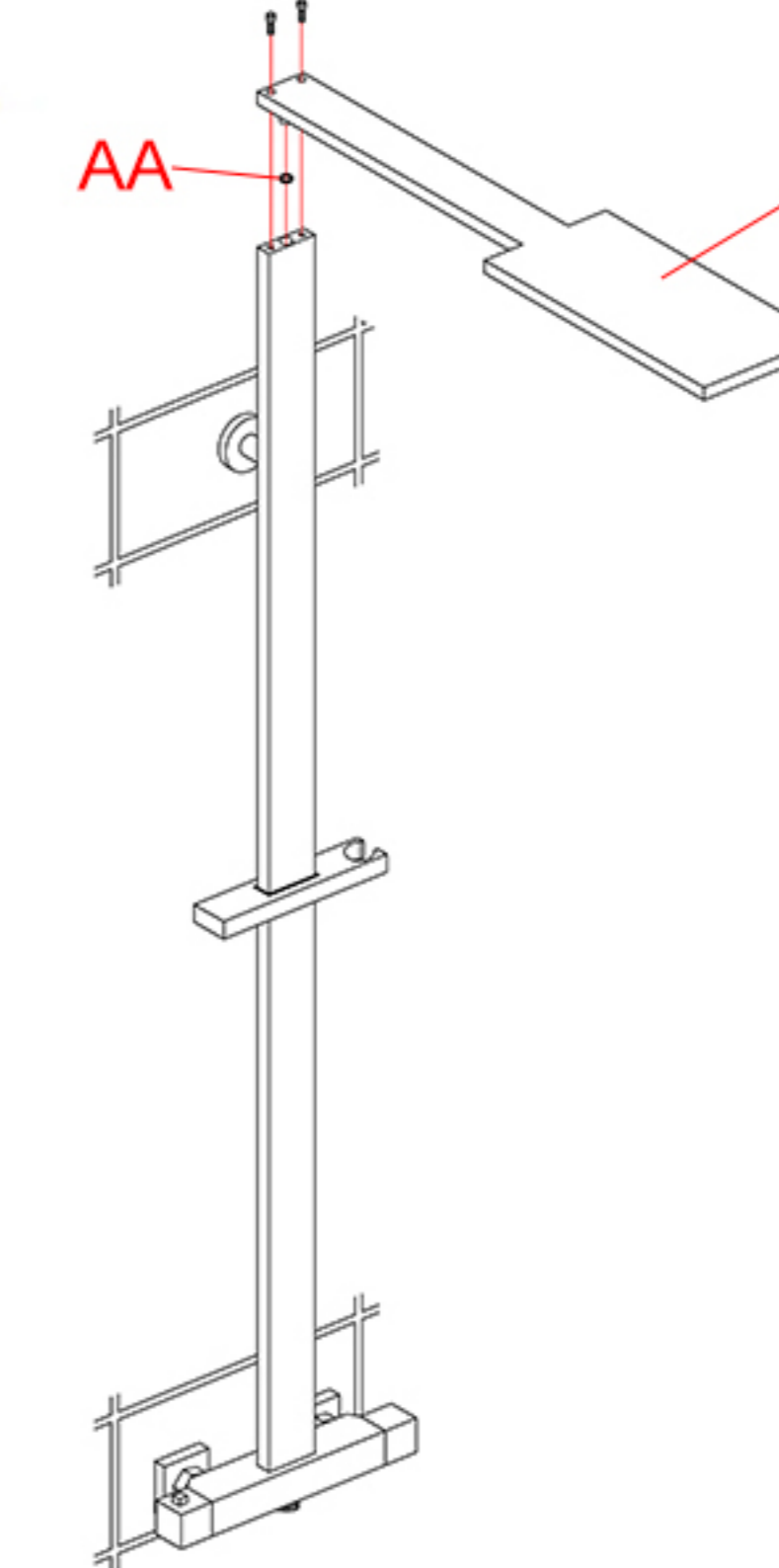
2. Drill the hole and install the anchor (F). Fix the wall plate (G) to wall with mounting screws (H).



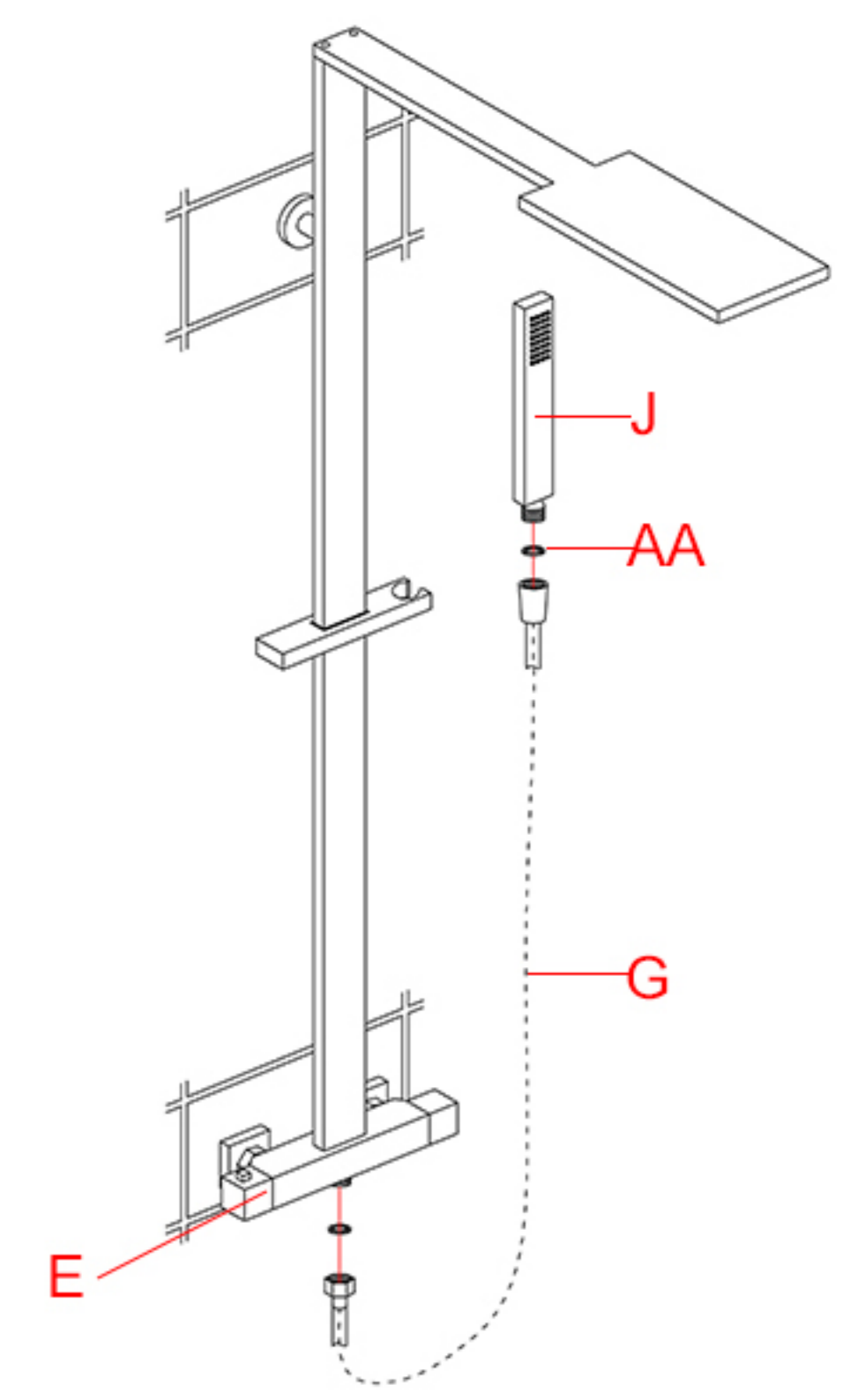
3. Add rubber washer (AA) to the riser (B) and fix the riser (B) to the valve body (E) with Allen key.



4. Fix the washers (D) into the inlets on the valve body (E). Install the connecting threads on the s-unions (A). Then fix the other end of the riser (B) to the wall plate (G) with Allen key.



5. Add the rubber washer (AA) and fix the shower head (I) to the riser (B) with screws.



6. Install the handshower (J). Place rubber washers (AA) at both ends of the hose (G). Screw one end into the bottom of the valve body (E) and the other end into the handshower (J).

Troubleshooting

Problem	Possible Cause	Corrective Action
Water does not shut off completely.	1. O-ring is not seated correctly or worn. 2. Cartridge may be defective.	1. Reseat or replace O-ring. 2. Replace cartridge.
Leaks at waterline connection.	1. Worn or broken washer. 2. Faucet body may be defective.	1. Replace washer. 2. Replace faucet (contact us for the replacement).
Leaks from handle.	1. Cartridge may come loose. 2. Cartridge may be defective.	1. Reseat cartridge tight. 2. Replace cartridge.
Leaks at hose connection.	1. Hose connection is loose.	1. Tighten hose. 2. Replace hose.
Leaks at shower valve connection.	1. Connection may come loose or not sealed completely. 2. Defective shower valve inlet or outlet connector.	1. Check connections. 2. Replace valve body.
Diverter knob does not work.	1. Diverter cartridge may be defective.	1. Replace cartridge.
LED light does not Light or noisy LED showerhead.	1. Defective LED generator.	1. Replace LED spray head (for kitchen faucet). 2. Replace LED threaded pipe (for separate faucet spout). 3. Replace LED generator (for others).
Low flow.	1. Check for water pressure problems. 2. Aerator may be dirty or clogged.	1. Clean or replace the aerator. 2. Remove waterflow restrictor if available. 3. Install booster or pump (if applicable).