

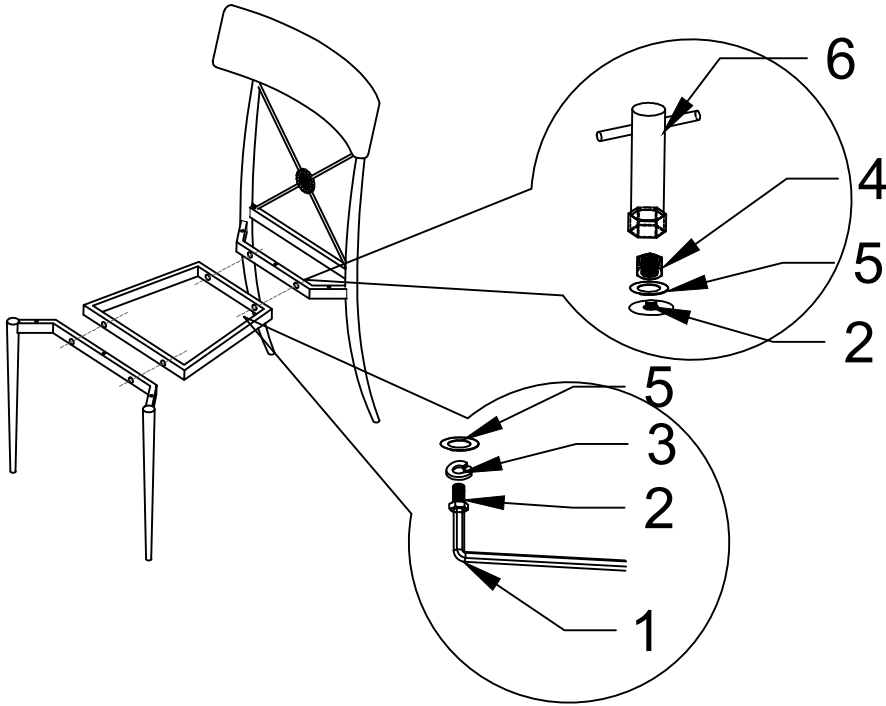
ASSEMBLY INSTRUCTION

Model: C636#

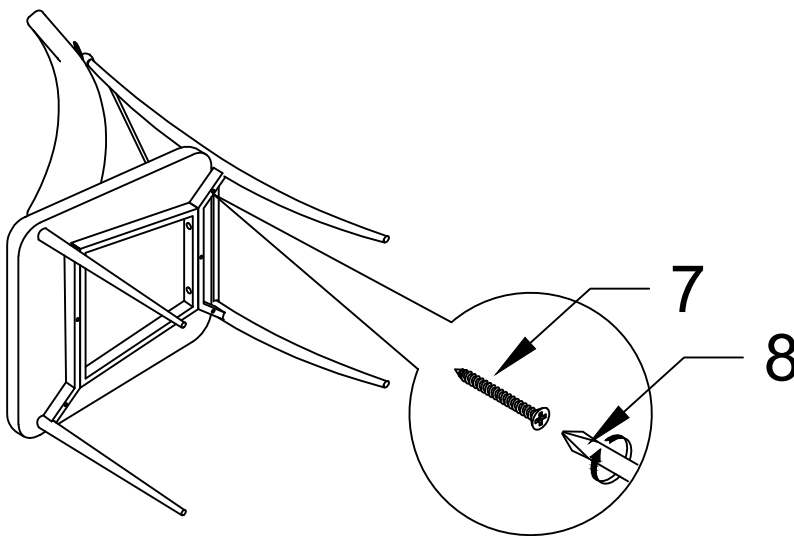
Model: Dining Chair

Thank you for purchasing this quality product, be sure to check all the packing materials carefully. When you received, please pay attention to the products, which may cause deformed during the shipment.

step 1:



step 2:



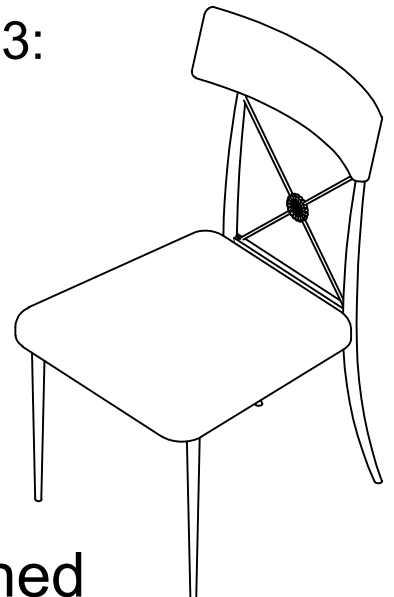
PART LIST

NO.	Designation	Quantity	Diagram
A	Chair Frame	1	
B	Connection Box	1	
C	Front Foot Post	1	
D	Seat Cushion	1	

HARDWARE LIST

NO.	Designation	Quantity	Size	Diagram
1	Allen Key	1	M6	
2	Screw	4	M8*40	
3	Spring Pads	8	Dia14mm	
4	Nut	4	M8*25	
5	Washer	4	Dia17mm	
6	Box Key	1	M8	
7	Screw	6	M4*40	

step 3:



Finished