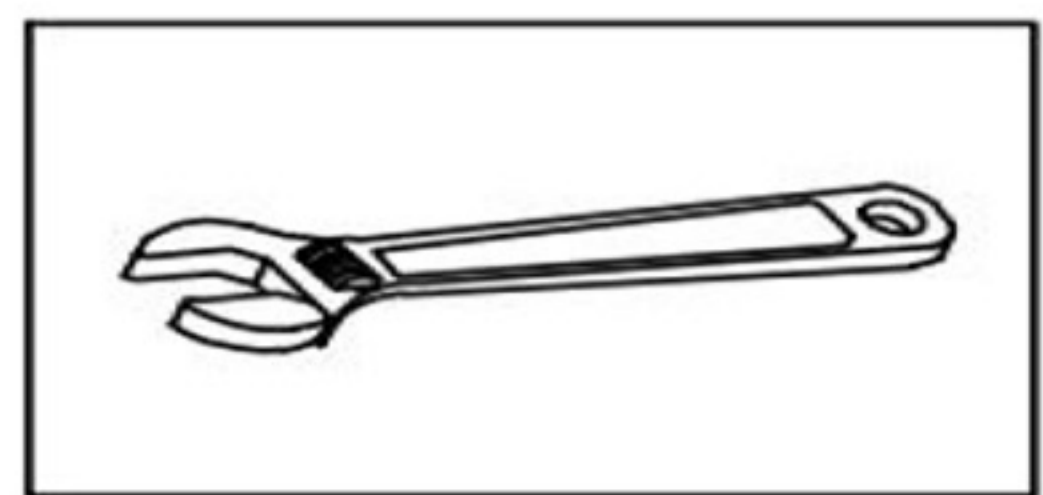
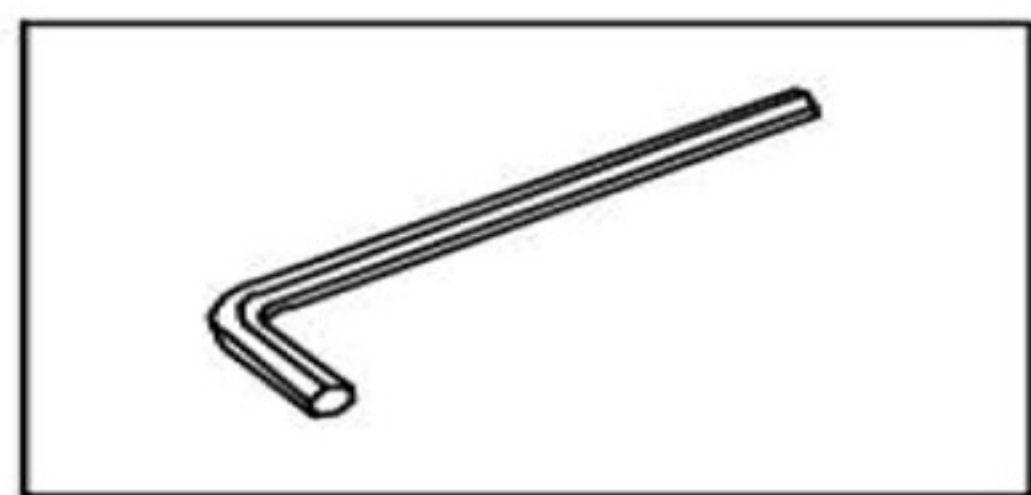


Widespread Bathroom Sink Faucet Installation

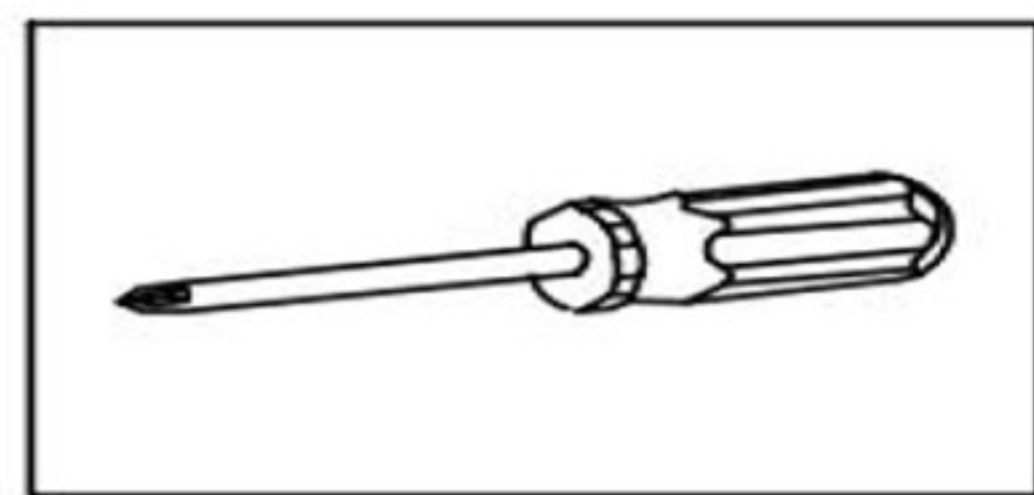
INSTALLATION MANUAL Tools You Will Need:



Adjustable wrench



Hexagon wrench



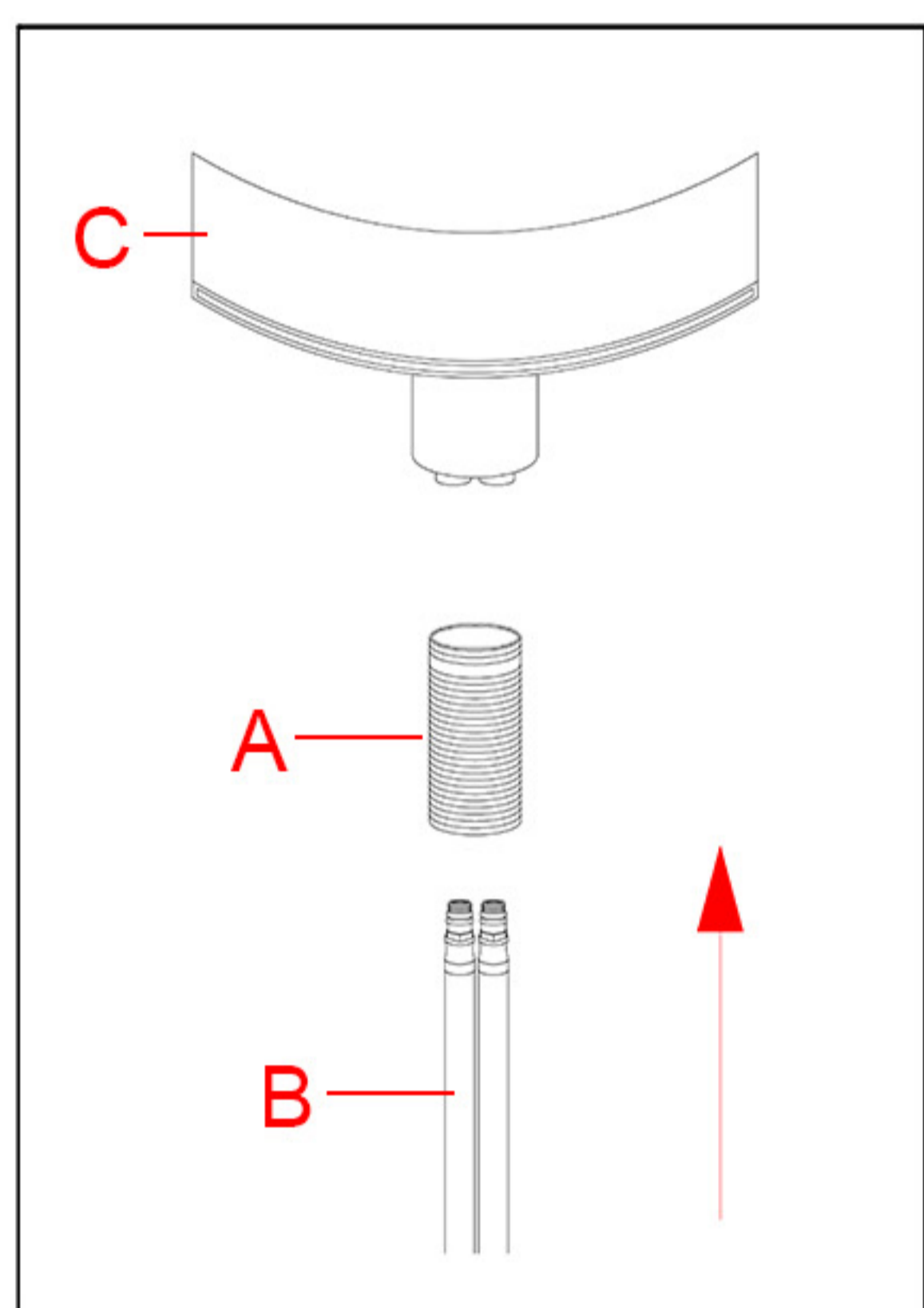
Philips Screwdriver

Before the Installation

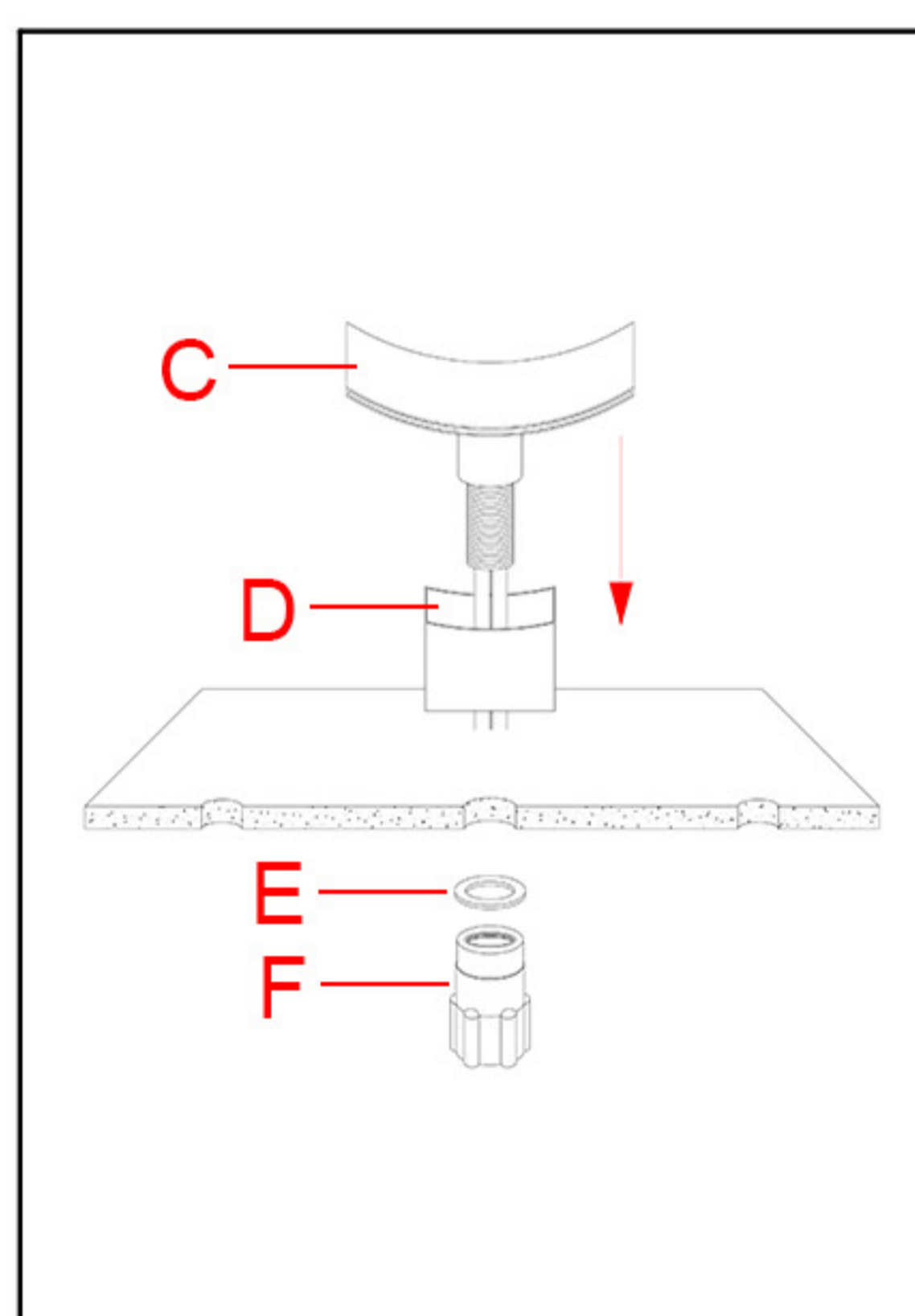
1. Check the package and confirm all parts are included. If any part is missing or damaged, please contact us.
2. Do not disassemble the main body, as it has been installed & commissioned correctly & precisely before leaving the factory.
3. Shut off the main water supply prior to beginning installation.
4. Do flush the water supply lines to remove any dirt and debris before installation (**IMPORTANT**).
5. Make sure to connect the hot/cold inlet pipe correctly. If standing in front, connect hot water pipe to the left and cold water pipe to the right.
6. After the installation, check for leaks and make sure every joint is safely sealed.

Cleaning and Maintenance

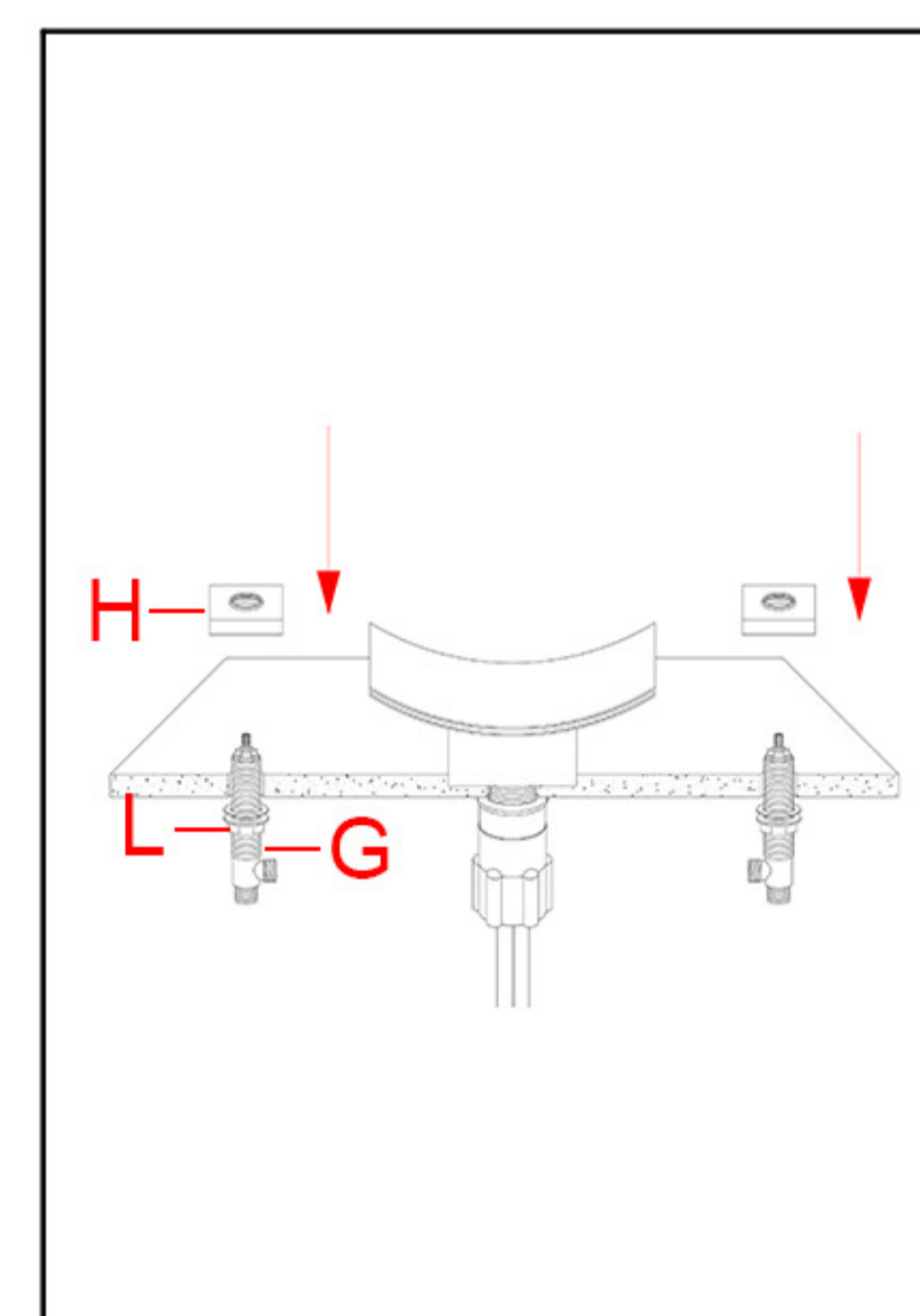
1. Rinse with clean water and dry with a soft cloth.
2. Do not use any detergent, acid, polisher, abrasives, or harsh cleaners.
3. Do not use cloth with a coarse surface.



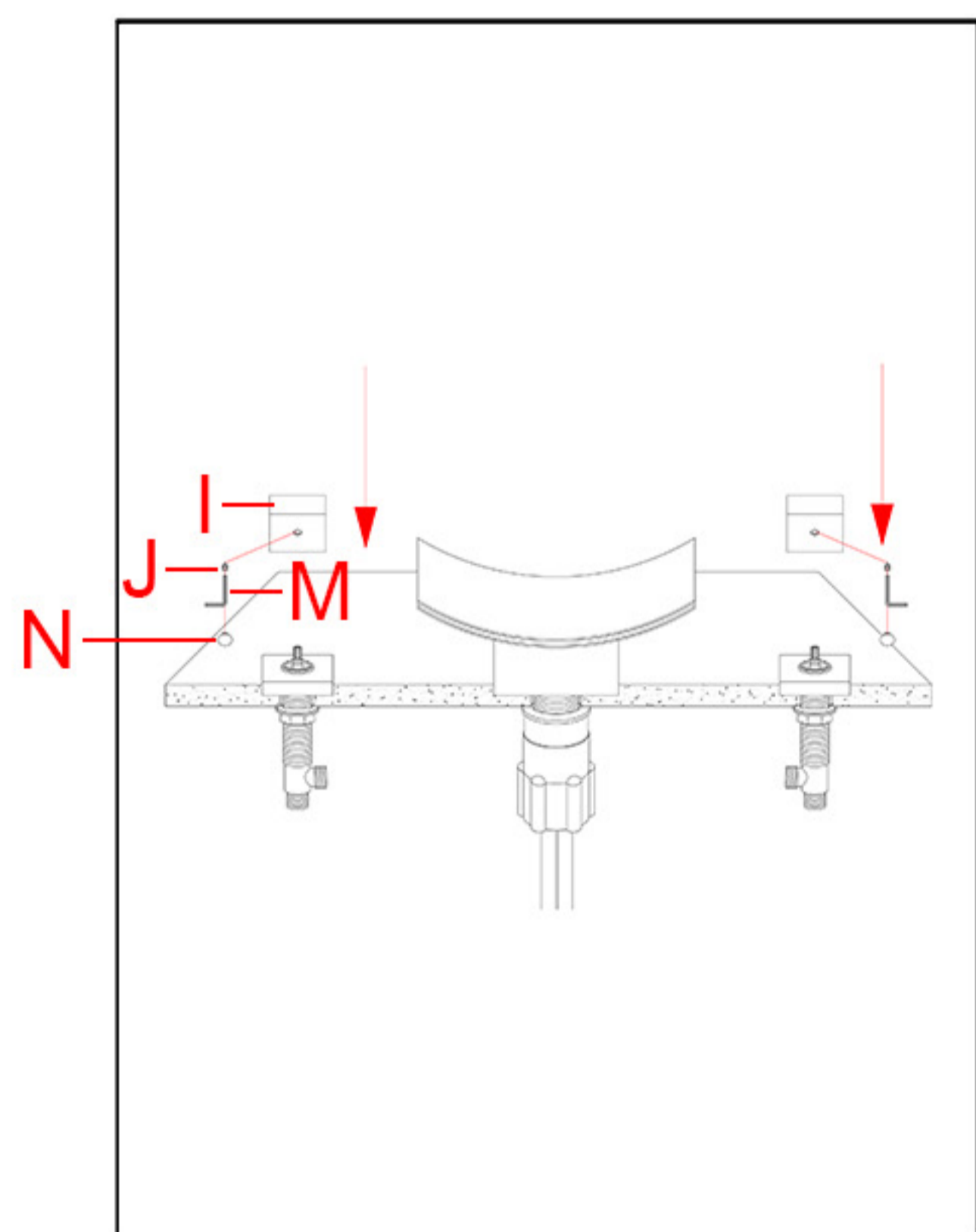
1. Screw the threaded pipe (A) and waterlines (B) into the corresponding screw-hole of the spout body (C).



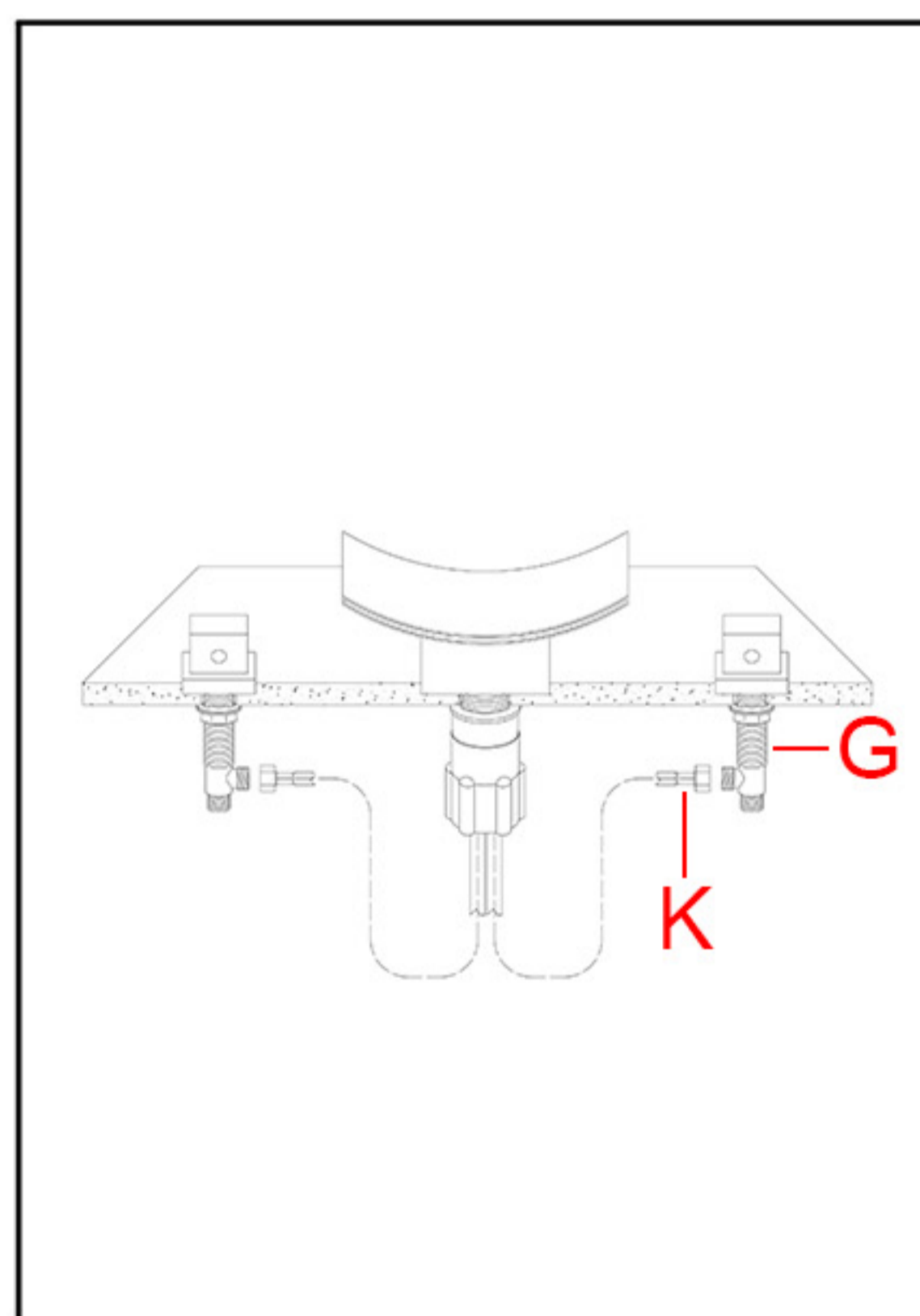
2. Install the spout body (C) through the base plate (D). Insert the spout body (C) into the specified drill hole on the countertop correctly, then add the rubber washer (E) and screw the mounting nut (F) underneath the countertop.



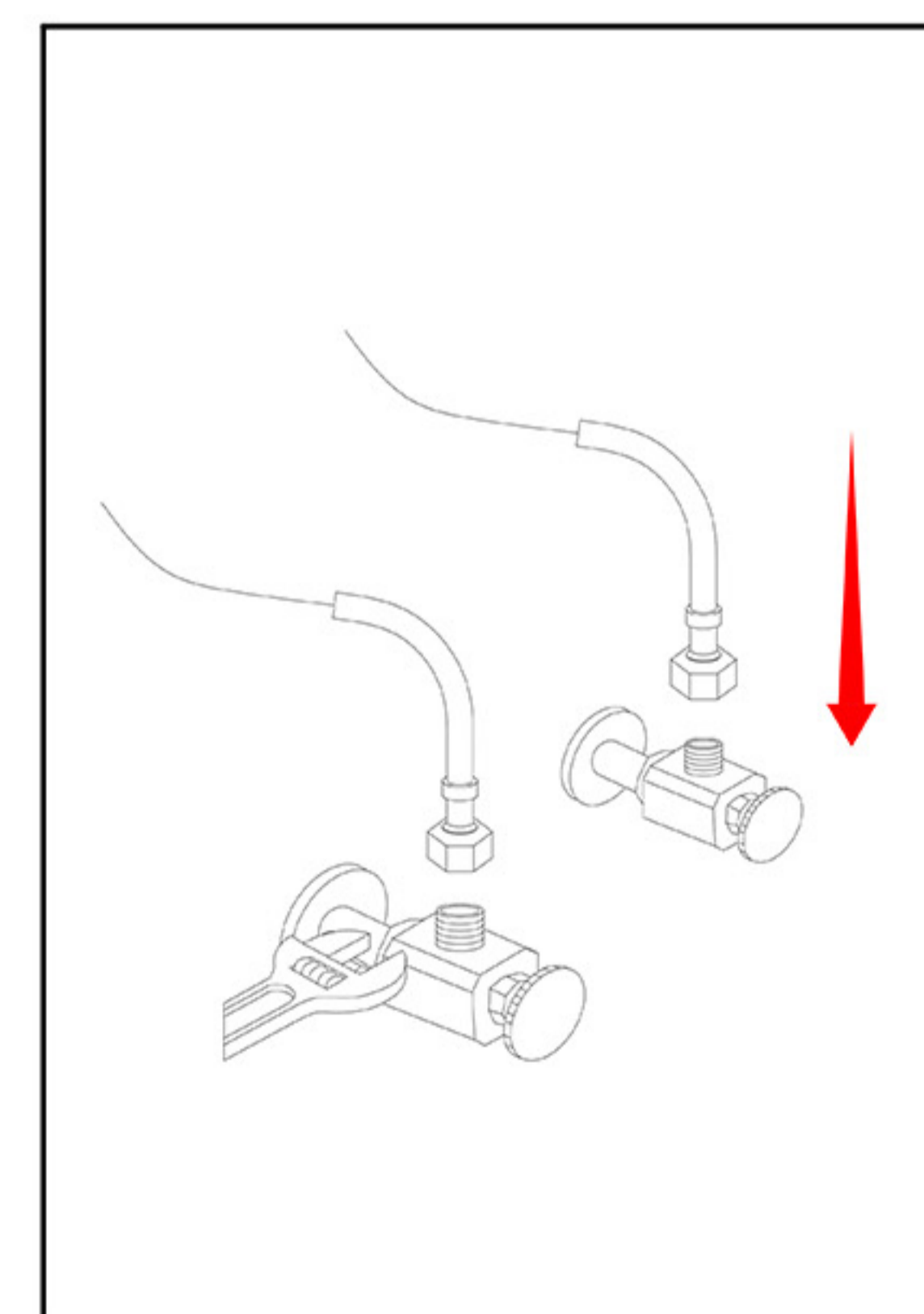
3. Install valve (G) into the specified drill hole underneath the countertop and screw the base plate (H) into the valve. Adjust the height and position of valve (G), then screw mounting nut (L) to tighten valve (G) underneath countertop securely.



4. Tighten set screw (J) with Allen Key (M) to fix the handle (I) and then place indication button (N) on handle.



5. Screw the waterlines (K) into the valve (G).



6. Connect the hot & cold waterlines (not included) to the main water supply line.