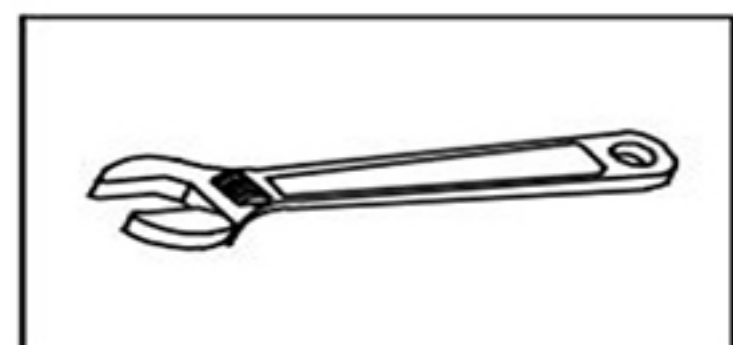
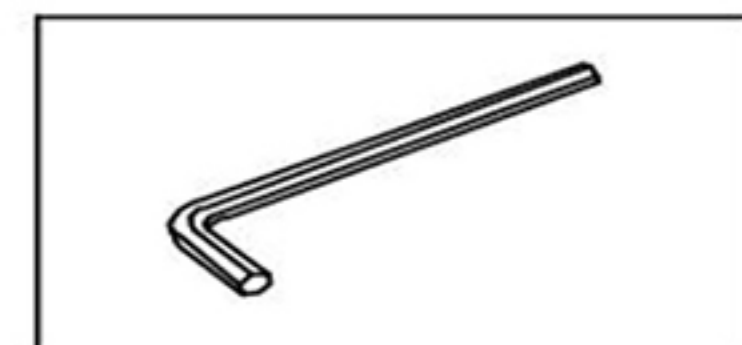


Freestanding Tub Faucet Installation

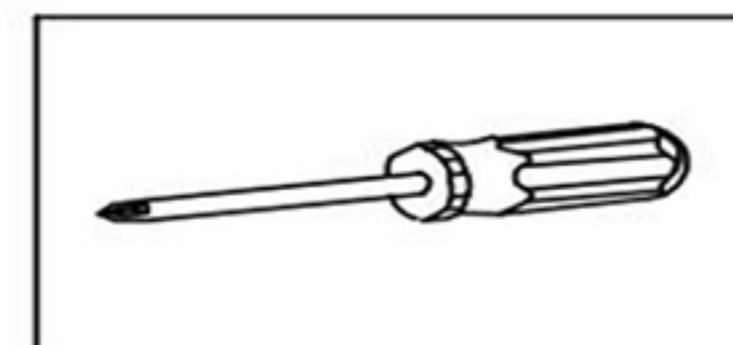
INSTALLATION MANUAL Tools You Will Need:



Adjustable wrench



Hexagon wrench



Phillips Screwdriver

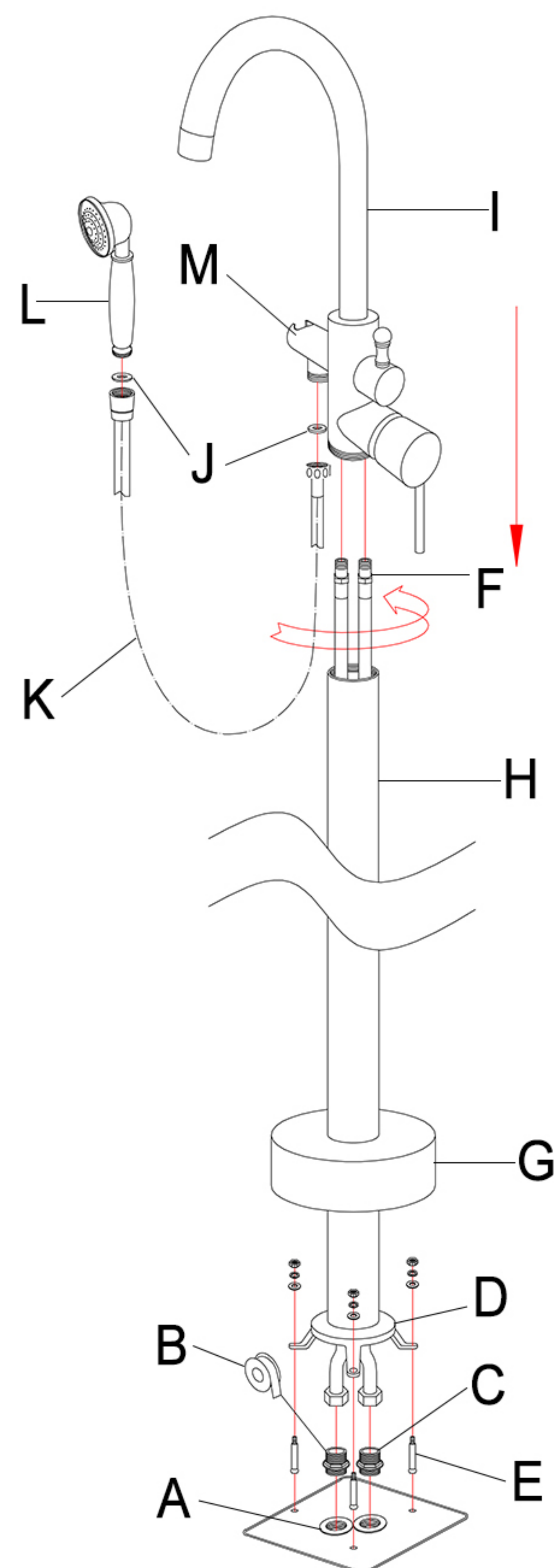
Before the Installation

1. Check the package and confirm all parts are included. If any part is missing or damaged, please contact us.
2. Do not disassemble the main body, as it has been installed & commissioned correctly & precisely before leaving the factory.
3. Shut off the main water supply prior to beginning installation.
4. Do flush the water supply lines to remove any dirt and debris before installation **(IMPORTANT)**.
5. Make sure to connect the hot/cold inlet pipe correctly. If standing in front, connect hot water pipe to the left and cold water pipe to the right.
6. After the installation, check for leaks and make sure every joint is safely sealed.

Cleaning and Maintenance

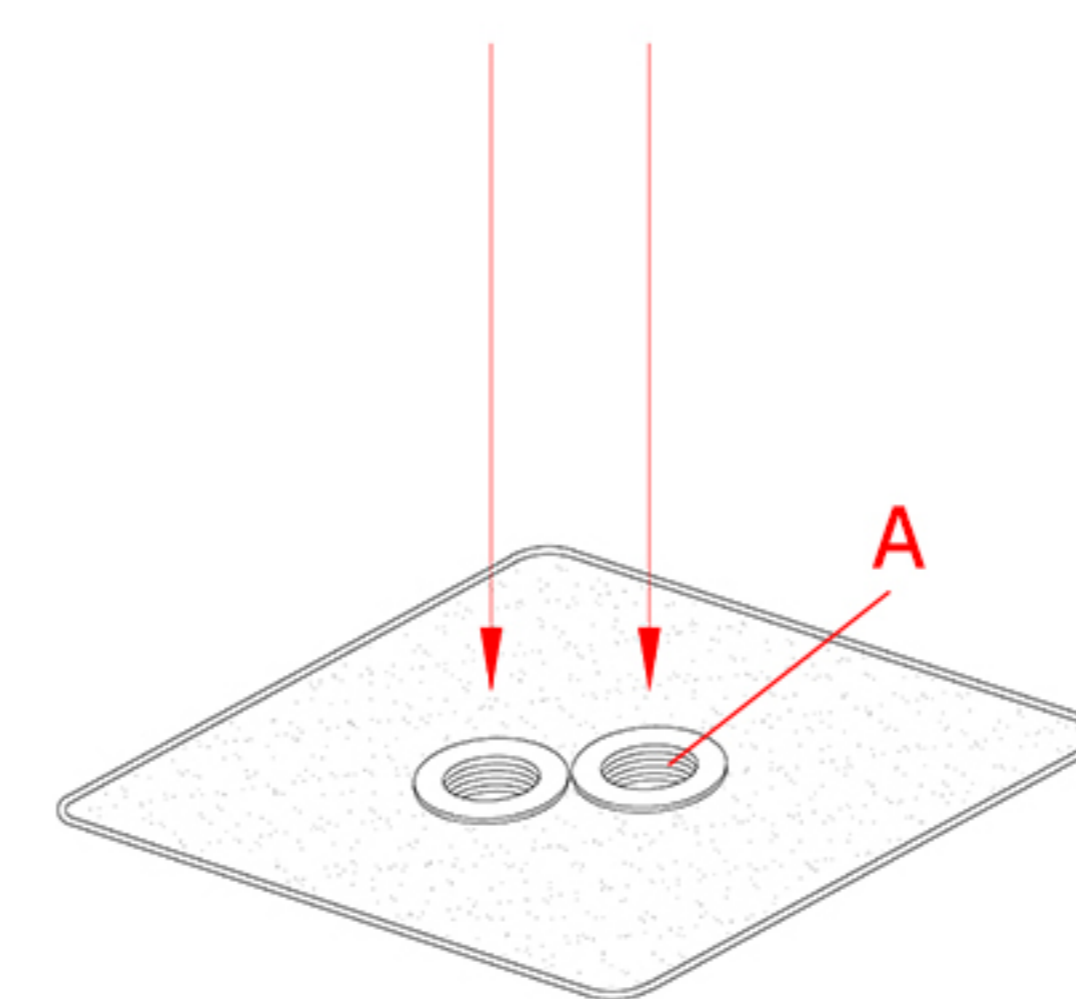
1. Rinse with clean water and dry with a soft cloth.
2. Do not use any detergent, acid, polisher, abrasives, or harsh cleaners.
3. Do not use cloth with a coarse surface.

Parts List

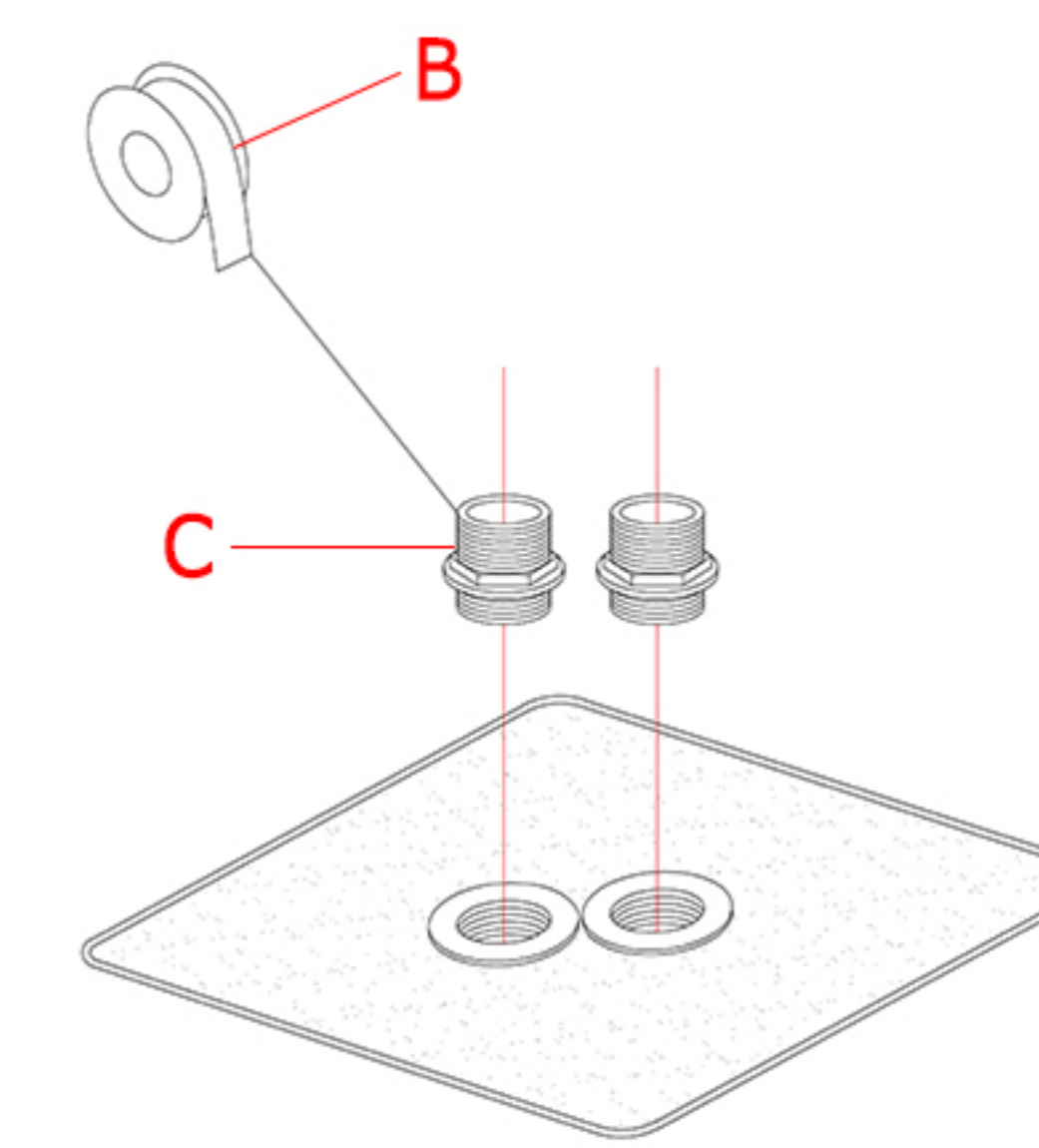


Part	Name	Quantity
A	hose fitting(not included)	2
B	Teflon tape	1
C	fitting(not included)	2
D	flange	1
E	expansion screw	3
F	waterline	2
G	flange cover	1
H	stand pole	1
I	faucet body	1
J	rubber washer	2
K	shower hose	1
L	hand shower	1
M	hand shower holder	1

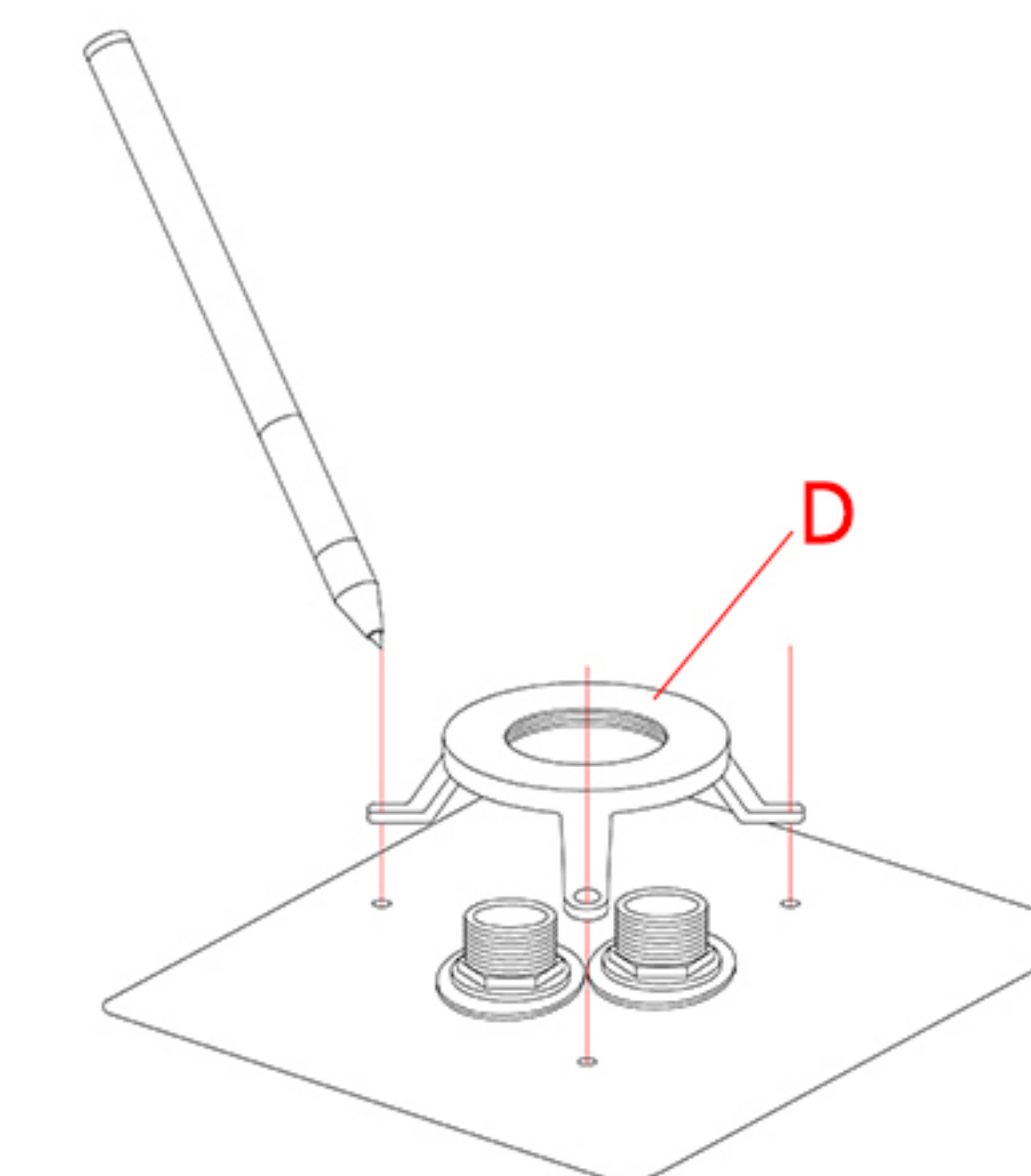
Installation Guide



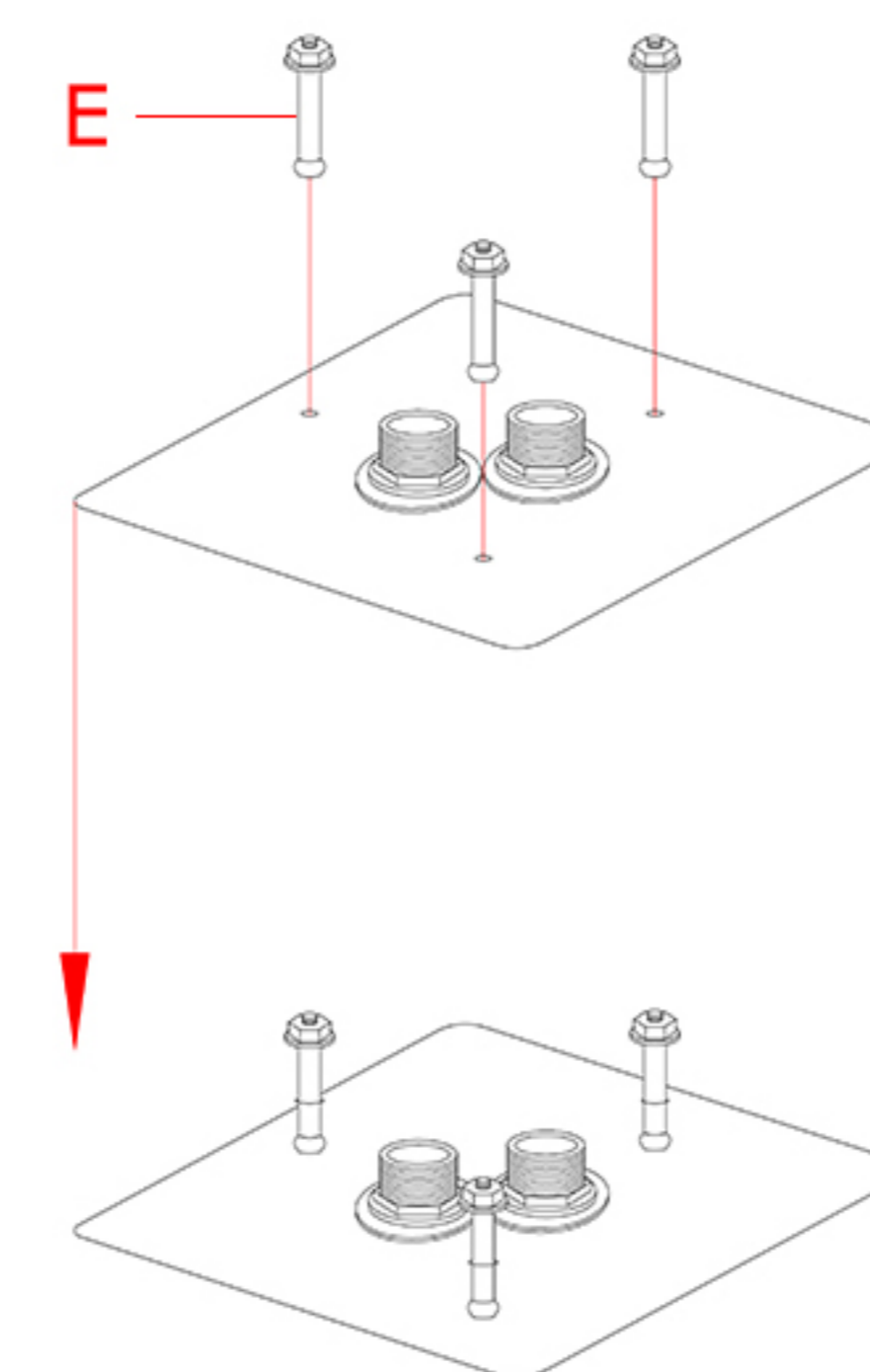
1. Embedded the supply hose fittings (A, not included).



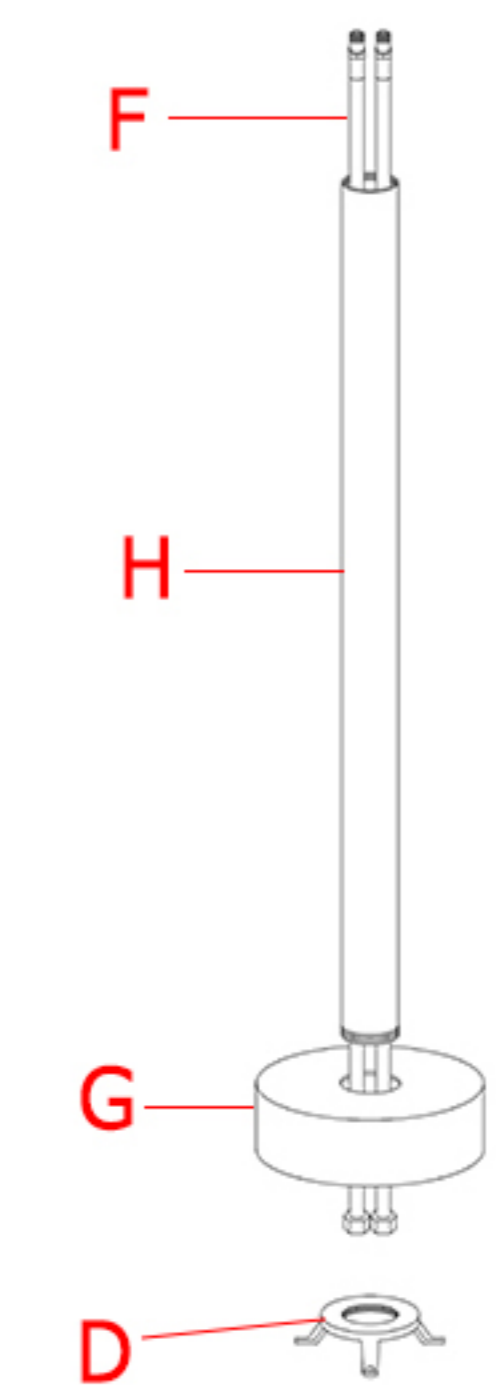
2. Put the Teflon tape (B) onto the fittings (C, not included).



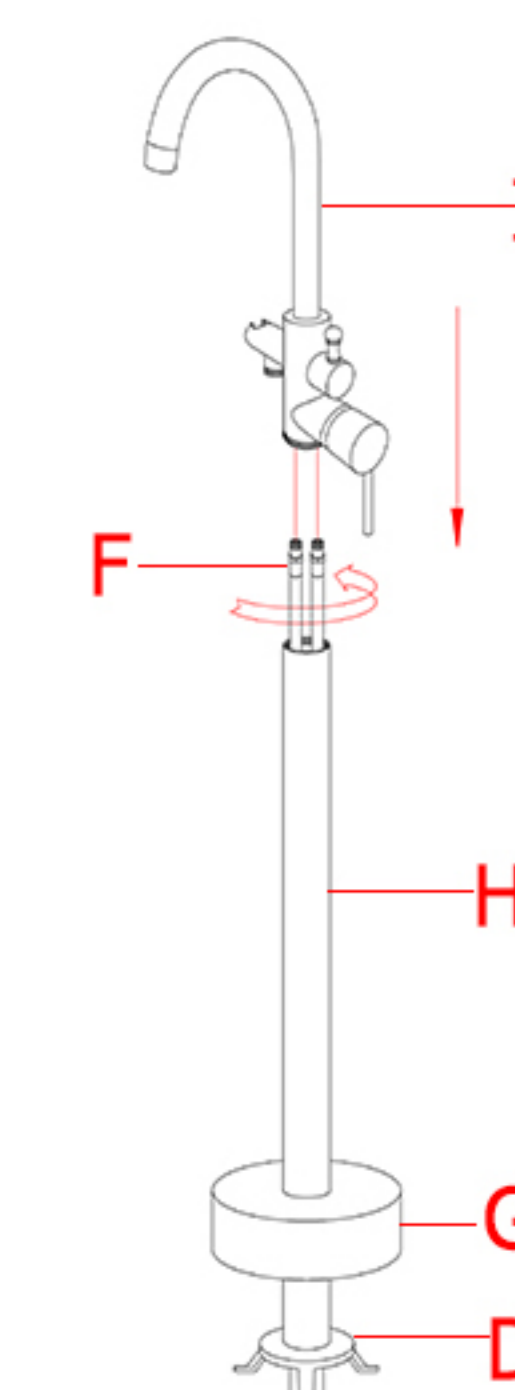
3. Use the flange (D) to mark the position and drill holes to suit the expansion screws.



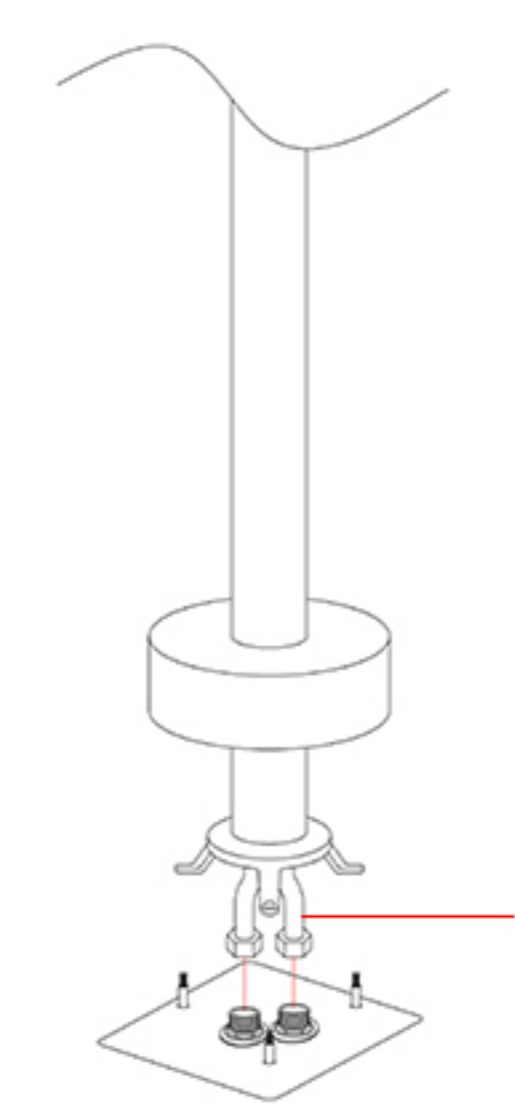
4. Put the expansion screws (E) into the embedded holes.



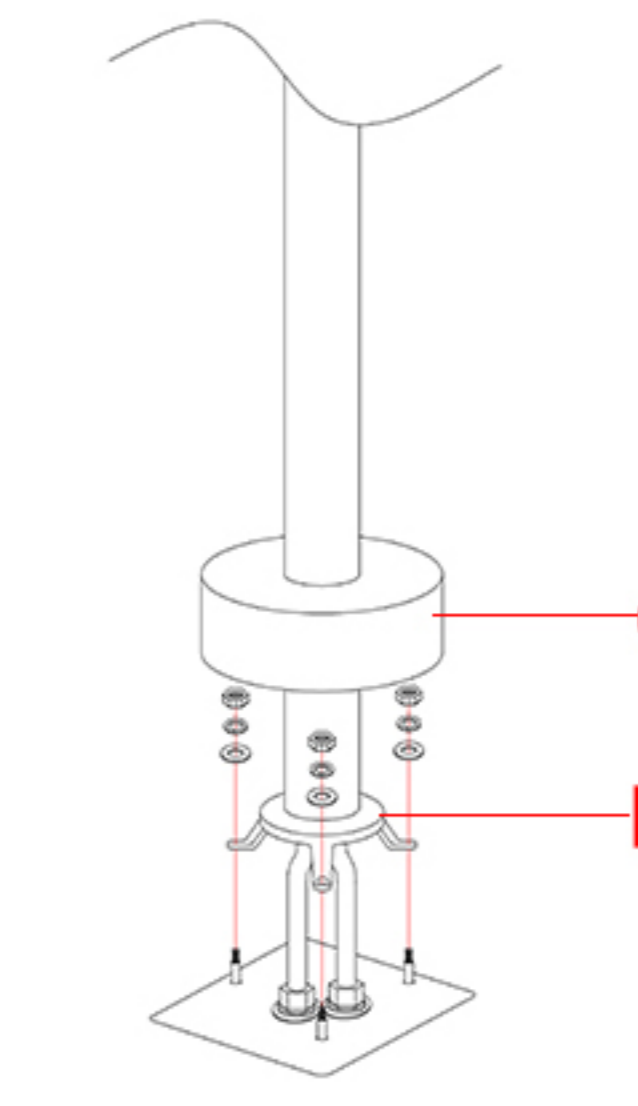
5. Feed the waterlines (F) through the flange (D), flange cover (G) and stand hole (H).



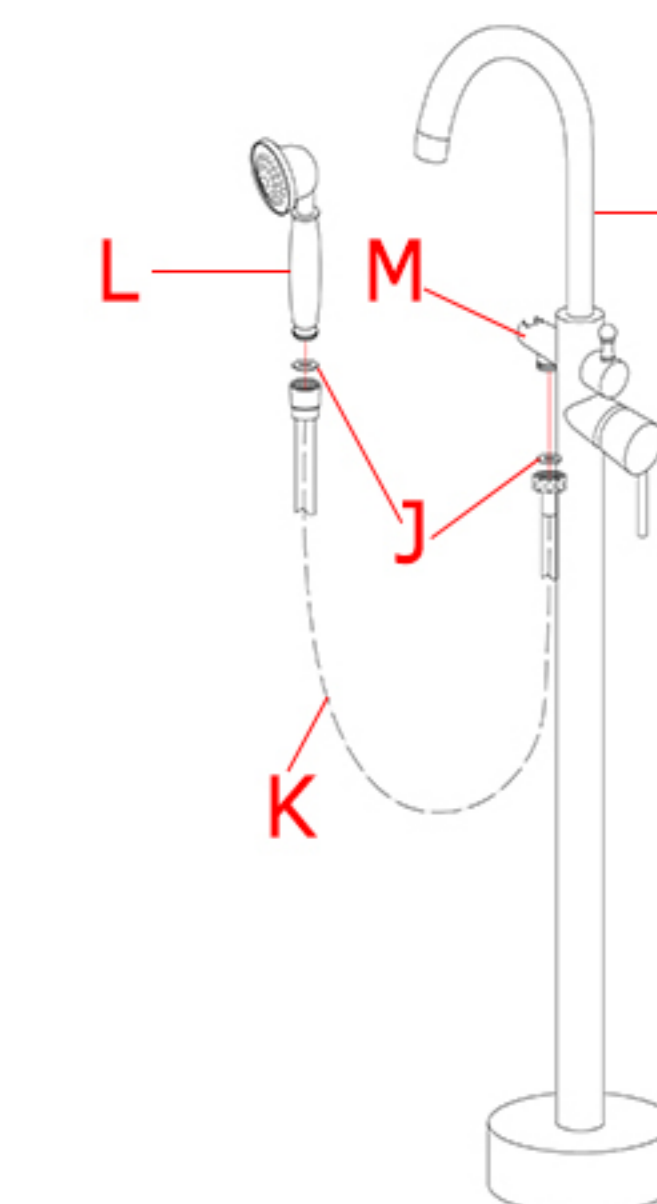
6. Put on the flange cover (G) and tighten the flange (D) to the stand pole (H). Screw waterlines (F) to the corresponding screw-hole of the faucet body (I). Then, install the faucet body (I) to the stand pole (H).



7. Connect the waterlines (F) to the water supplies in the floor.



8. Fix the flange (D) to the floor with washers and nuts. Then, push the flange cover (G) against the floor.



9. Add rubber washers (J) to both ends of the shower hose (K). Connect the shower hose (K) to the hand shower (L) and faucet body (I). Then, place the hand shower (L) into the hand shower holder (M).