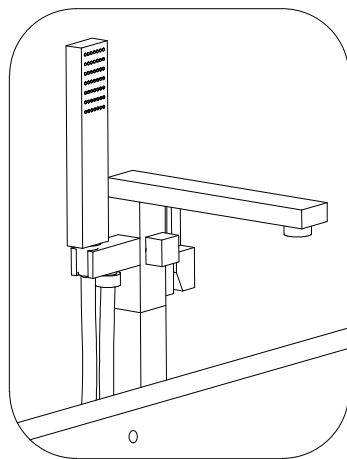
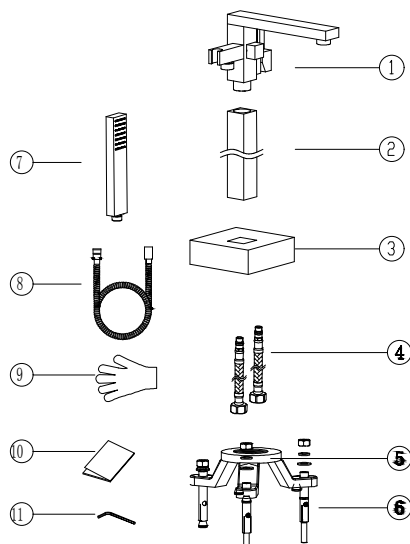


# Floor bathtub mixer instruction

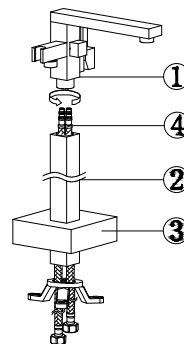
Please inspection all spare parts list when you open box, if any problem, please contact with seller. Spare parts list as follow.



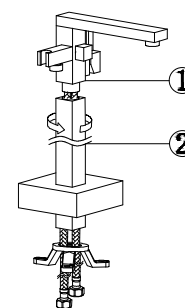
NO	Product Description	QTY
1	Control body	1
2	Body Pipe	1
3	Panel	1
4	Water pipe	2
5	N-box	1
6	Expansion Screw	4
7	Hand shower	1
8	shower hose	1
9	Glove	1
10	Instruction	1
11	Screw tool	1



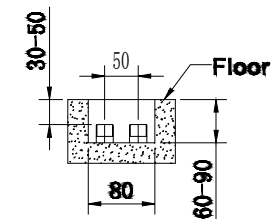
1. Connect the straight tube decorative tube and bolts holder to inlet tube then screw the inlet tube to main body



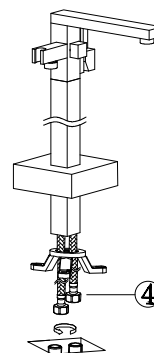
2. Connect the main body with straight tube by twisting it.



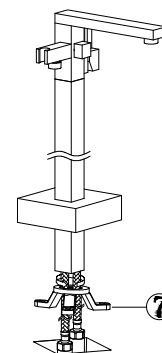
3. Prepare water inlet like the drawing below



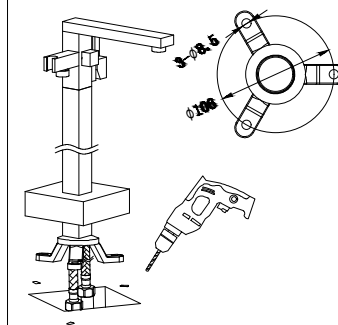
4. Connect the inlet tube like the drawing



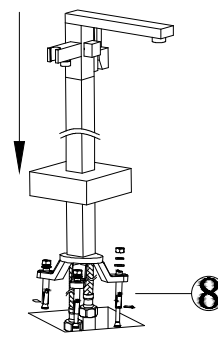
5. Twist the bolts holder to the faucet



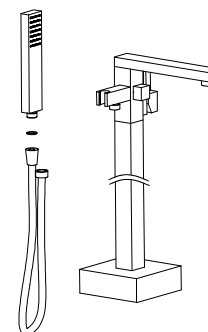
6. Drill holes on floor based on the drawing



7. Tighten the expansion bolts



8. Twist the shower tube to both faucet and shower head



9. Finished assembly

