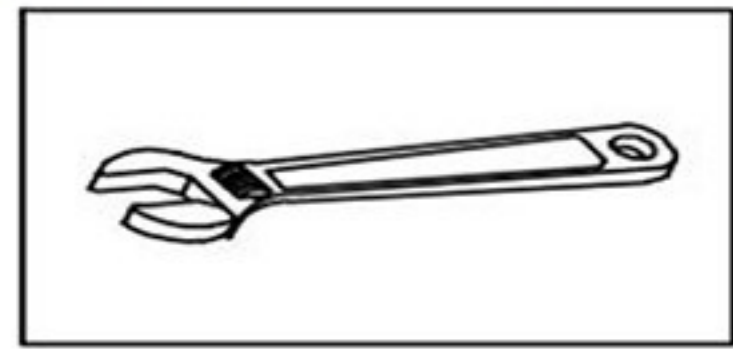
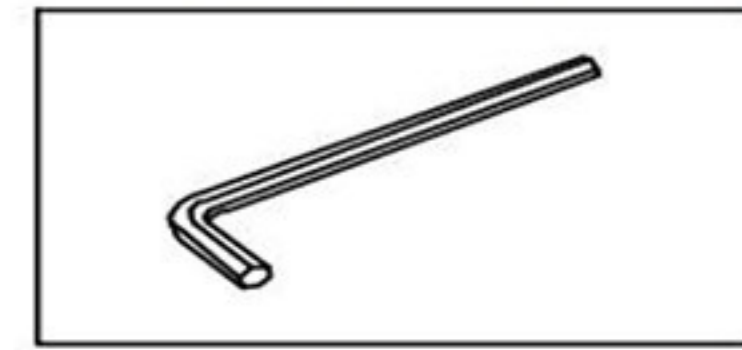


# Split Bathtub Faucet Installation

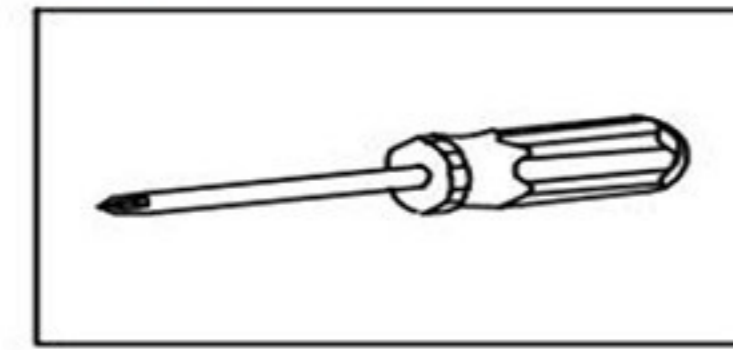
## INSTALLATION MANUAL Tools You Will Need:



Adjustable Wrench



Hexagon wrench



Philips Screwdriver

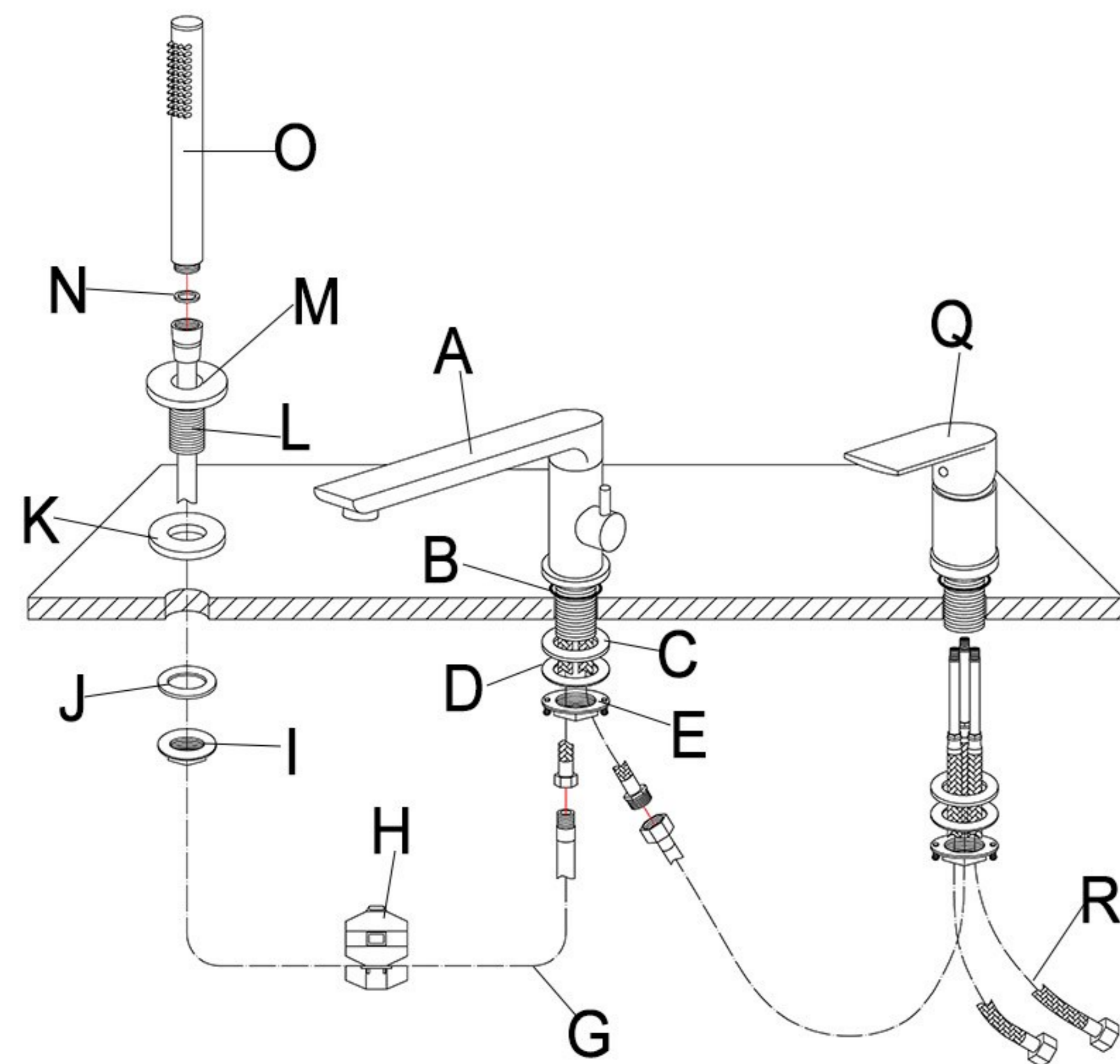
### Before the Installation

1. Check the package and confirm all parts are included. If any part is missing or damaged, please contact us.
2. Do not disassemble the main body, as it has been installed & commissioned correctly & precisely before leaving the factory.
3. Shut off the main water supply prior to beginning installation.
4. Do flush the water supply lines to remove any dirt and debris before installation (**IMPORTANT**).
5. Make sure to connect the hot/cold inlet pipe correctly. If standing in front, connect hot water pipe to the left and cold water pipe to the right.
6. After the installation, check for leaks and make sure every joint is safely sealed.

### Cleaning and Maintenance

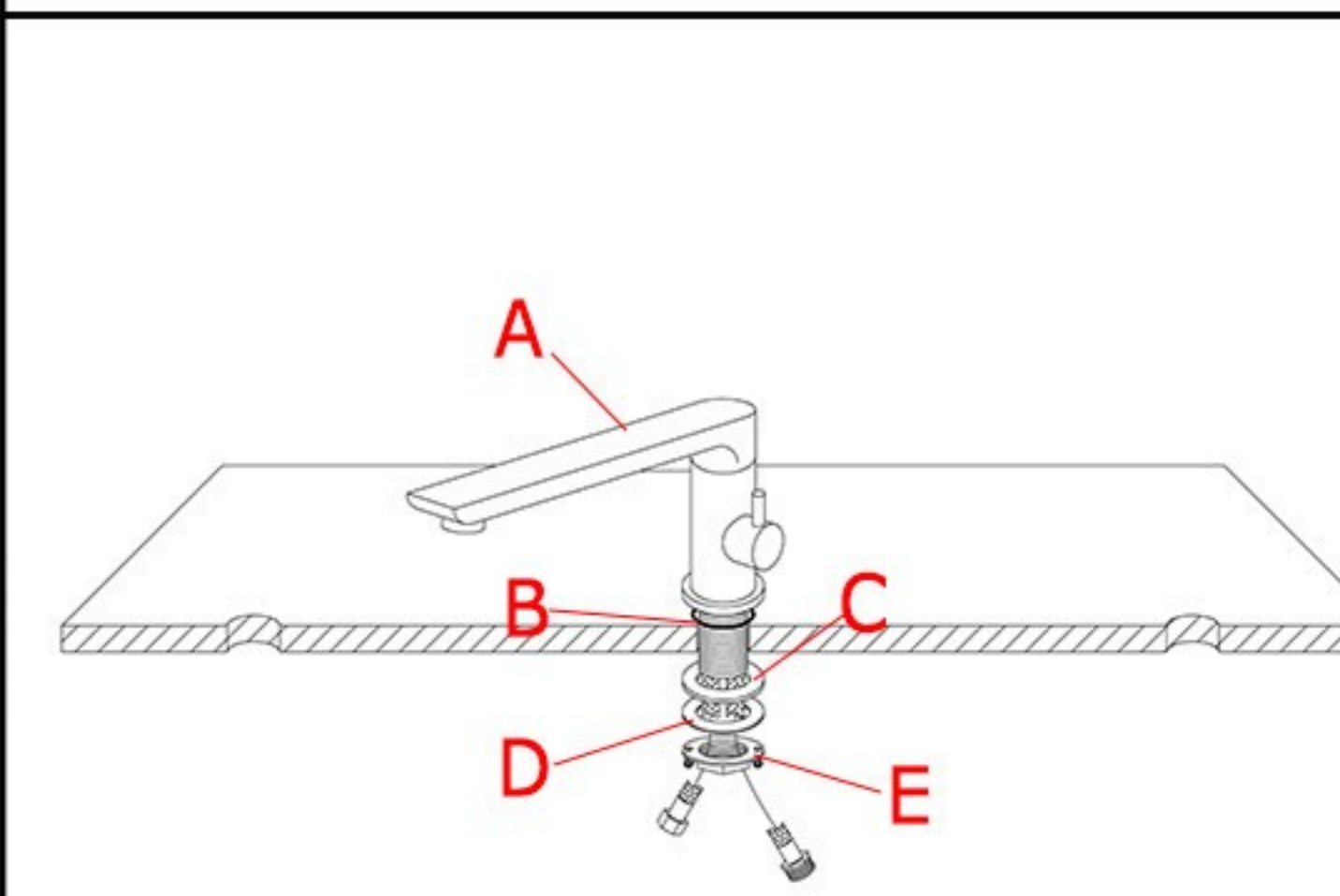
1. Rinse with clean water and dry with a soft cloth.
2. Do not use any detergent, acid, polisher, abrasives, or harsh cleaners.
3. Do not use cloth with a coarse surface.

### Parts List

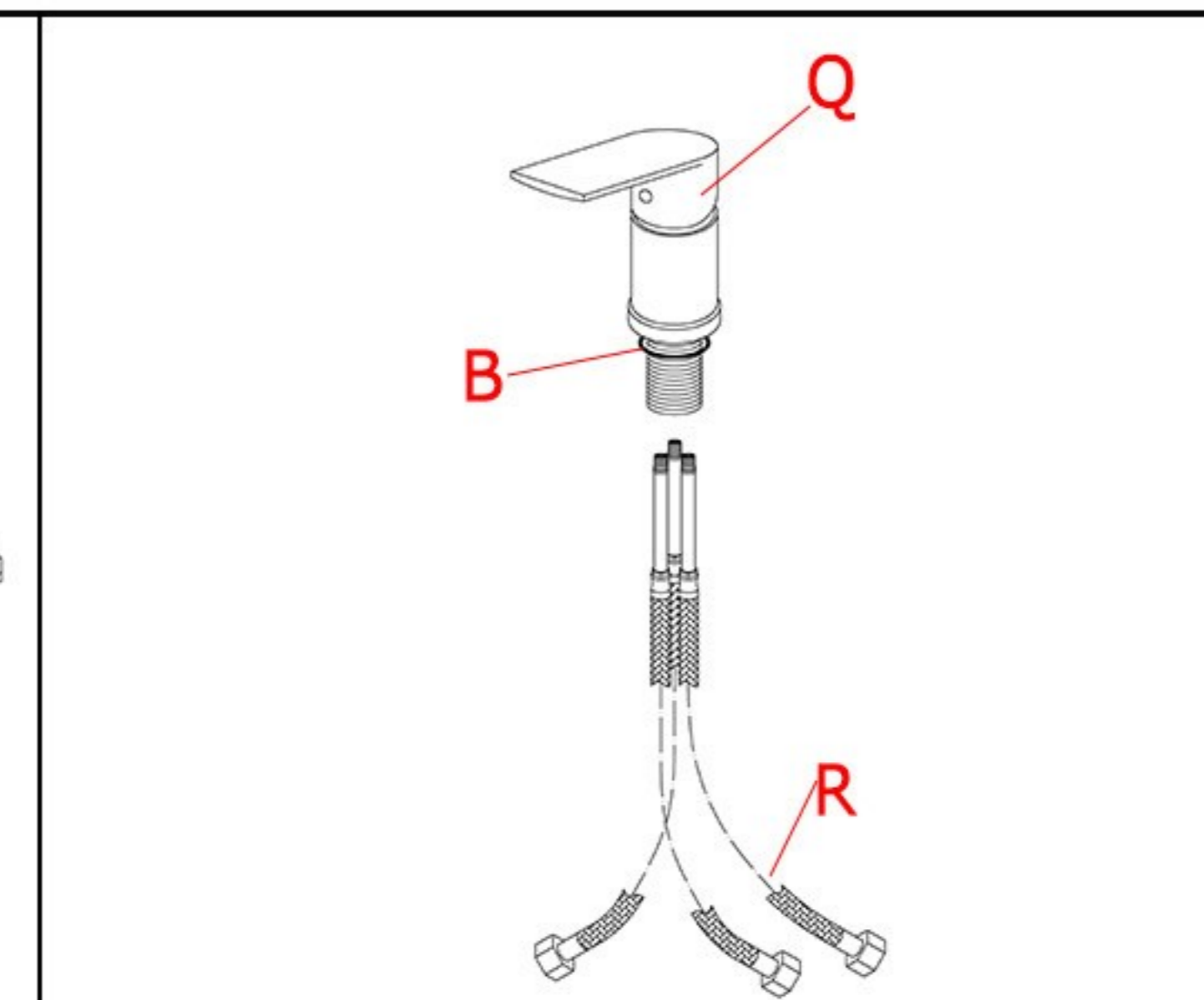


Part	Name	Quantity
A	faucet body	1
B	O-ring	2
C	big rubber washer	2
D	metal washer	2
E	big mounting nut	2
G	hose	1
H	weight ball	1
I	small mounting nut	1
J	small rubber washer	1
K	spacer	1
L	threaded pipe	1
M	base	1
N	black washer	1
O	hand shower	1
Q	handle	1
R	cold and hot waterline	3

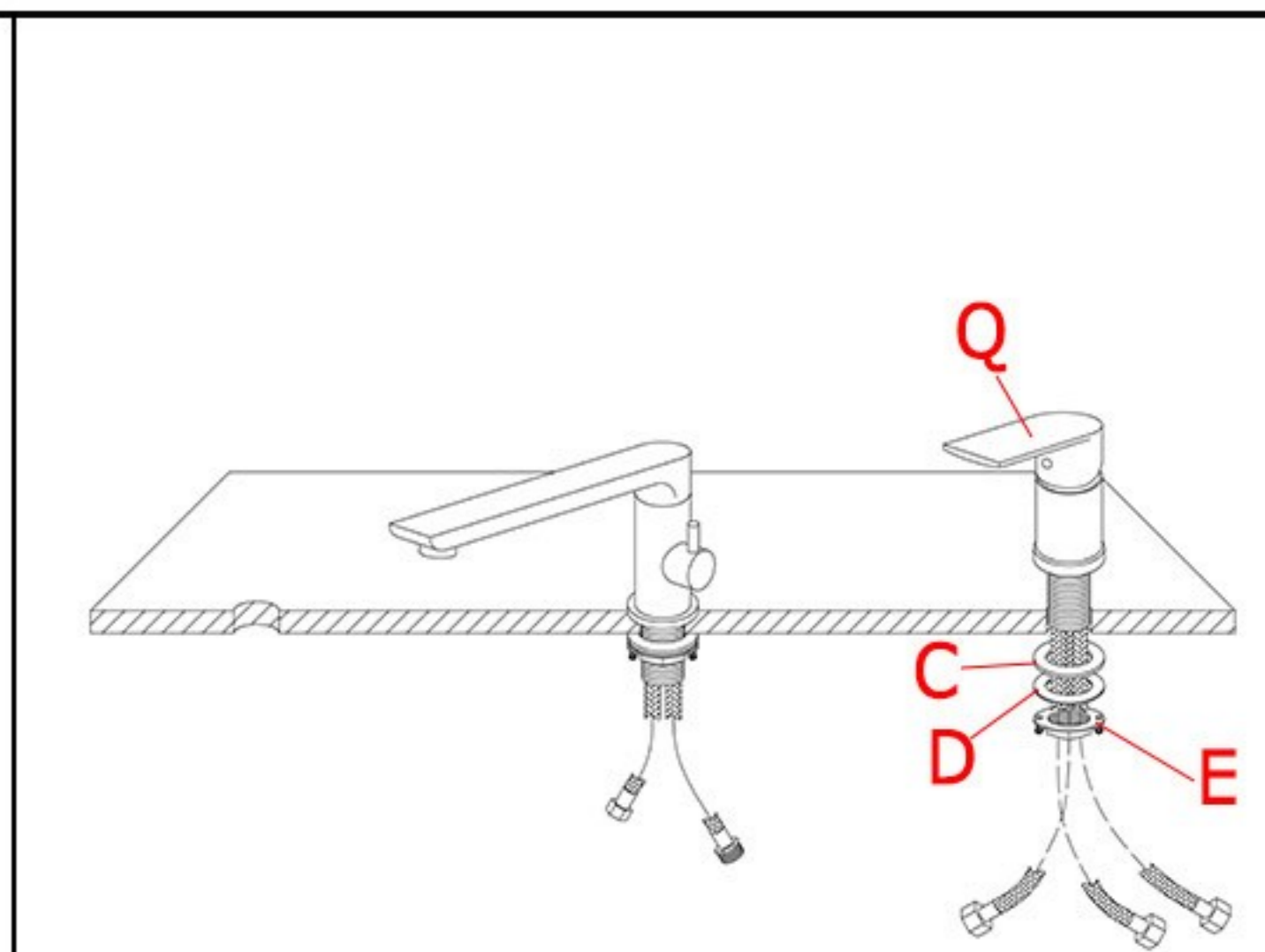
## Installation Guide



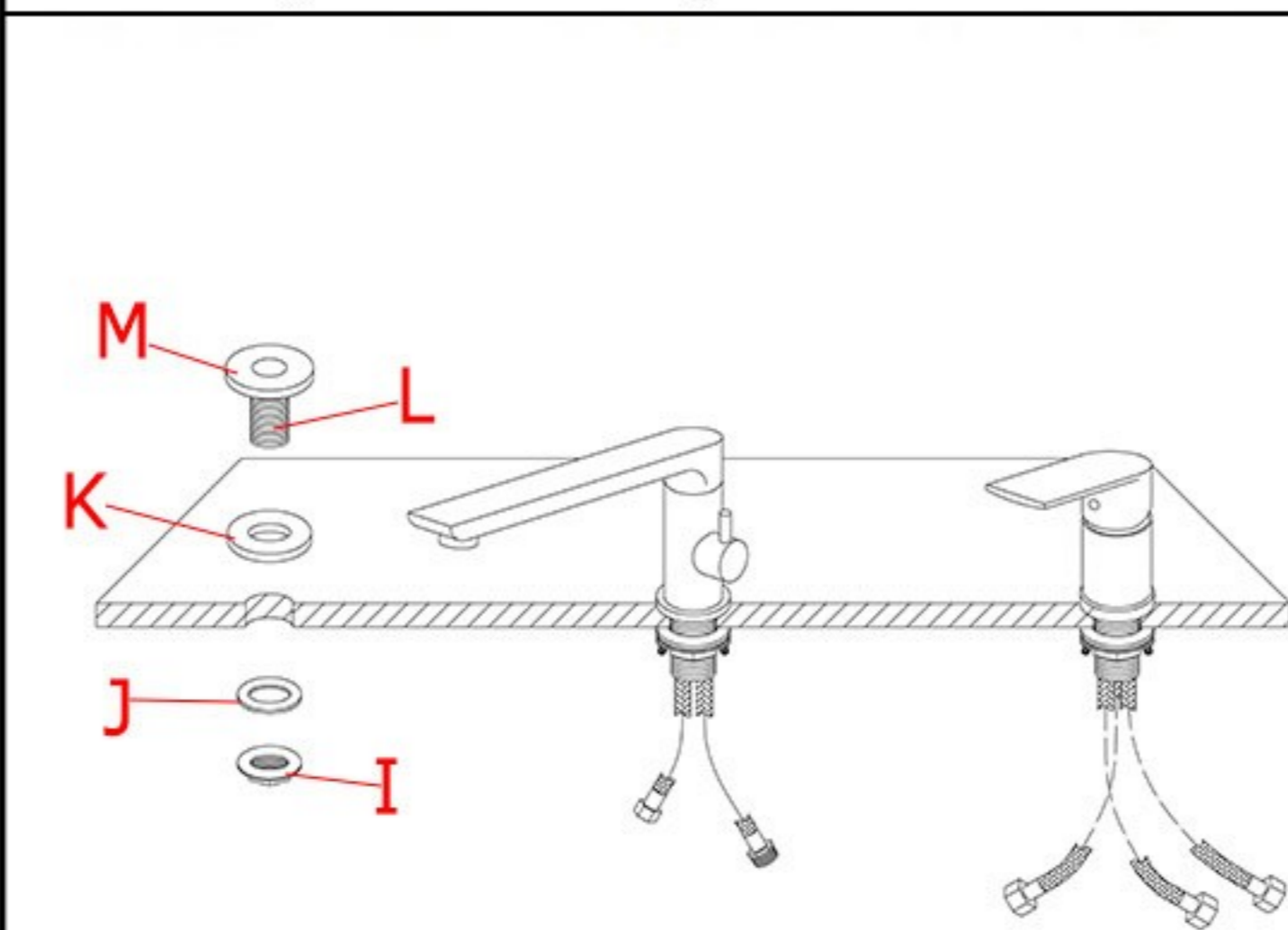
1. Shut off the water. Fit the O-ring (B) to the groove bottom of the faucet body (A) and insert the faucet body into the hole on the countertop. Adjust the position and fix it with the big rubber washer (C), metal washer (D) and big mounting nut (E) and then tighten mounting nut screws.



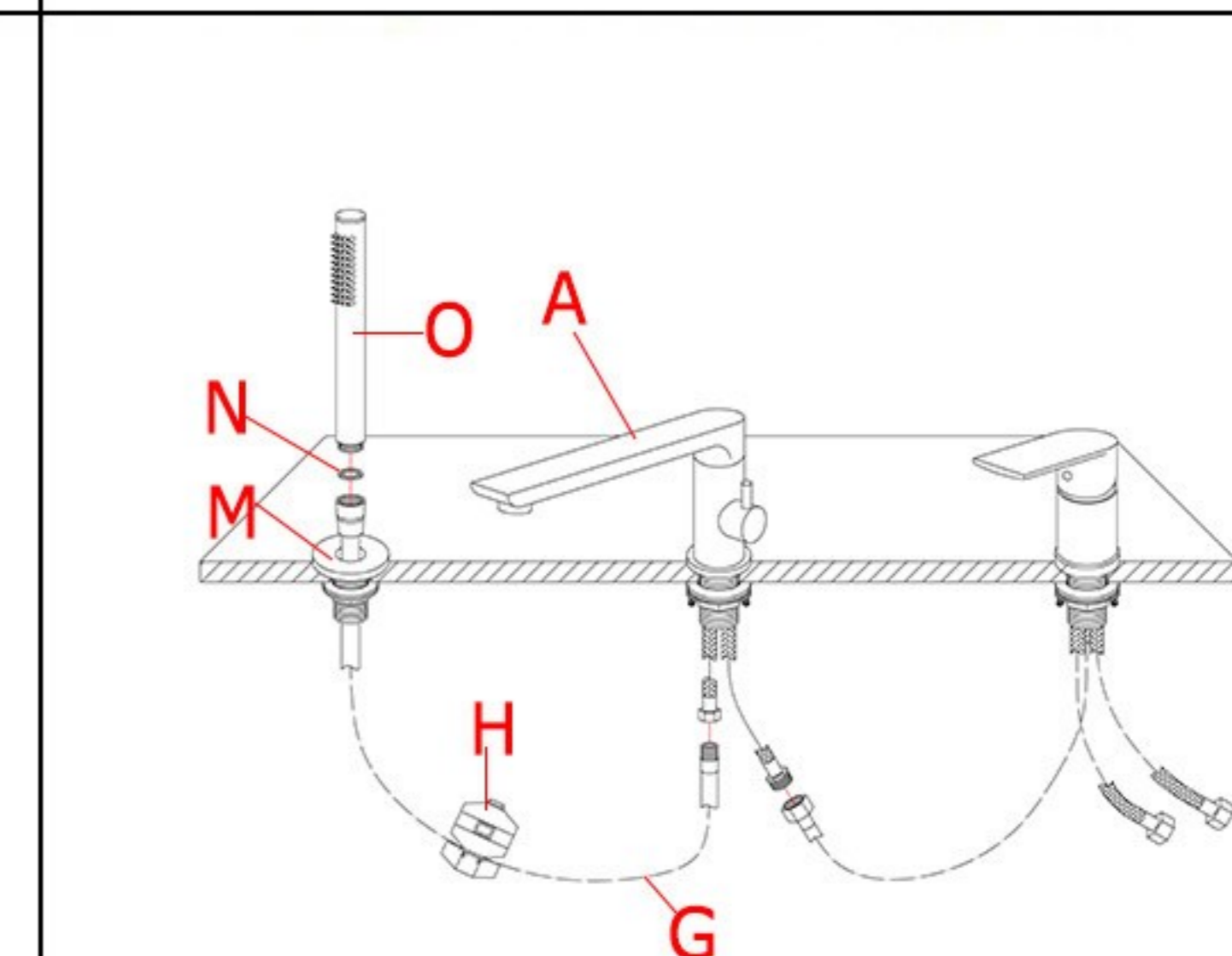
2. Fit the O-ring (B) to the groove bottom of the handle (Q) and screw up the cold and hot waterlines (R) into the corresponding holes of the handle.



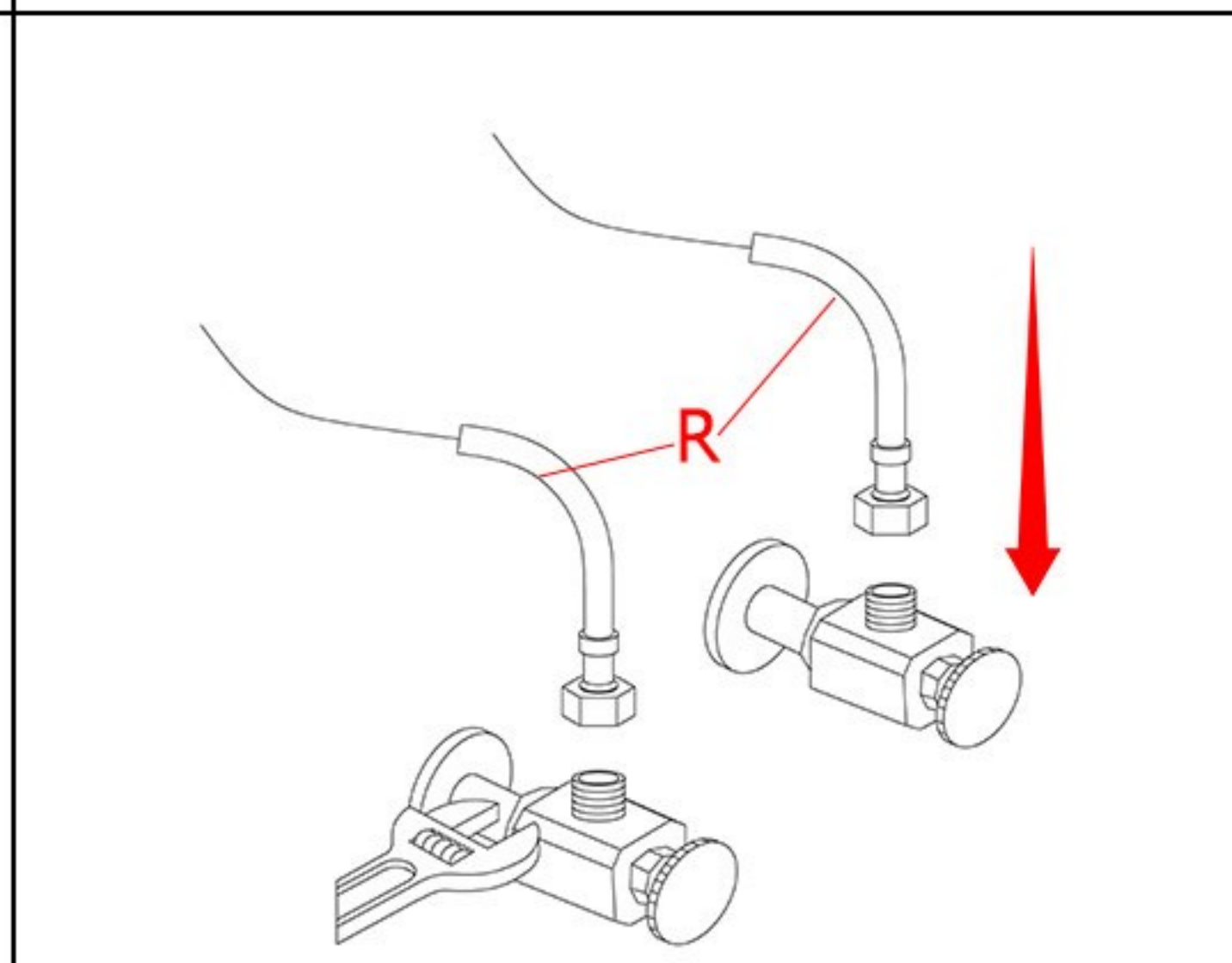
3. Insert the handle (Q) into the hole on the countertop. Adjust the position and fix it with the big rubber washer (C), metal washer (D) and big mounting nut (E) and then tighten mounting nut screws.



4. Screw the threaded pipe (L) with the base (M) and insert it through the spacer (K) into the hole on the countertop. Fix the pipe with the small rubber washer (J) and small mounting nut (I) under the countertop.



5. Connect the one end of the hose (G) to one of the pipes of the faucet body (A). Feed the other end of the hose up through the base (M) and insert the black washer (N) into the end and screw the hose to the hand shower (O). Unscrew the weight ball (H), attach it the hose and tighten the screw to fix the ball. Choose one hot waterline to connect it with the other pipe of the faucet body.



6. Connect the cold and hot waterlines (R) to corresponding angle stops (not included). Turn on the angle stops and check for leaks. (Don't turn on the faucet) Turn faucet on for 1 minute to flush the debris and test.

## Troubleshooting

Problem	Possible Cause	Corrective Action
Water does not shut off completely.	1. O-ring is not seated correctly or worn. 2. Cartridge may be defective.	1. Reseat or replace O-ring. 2. Replace cartridge.
Leaks at waterline connection.	1. Worn or broken washer. 2. Faucet body may be defective.	1. Replace washer. 2. Replace faucet (contact us for the replacement).
Leaks from handle.	1. Cartridge may come loose. 2. Cartridge may be defective.	1. Reseat cartridge tight. 2. Replace cartridge.
Leaks at hose connection.	1. Hose connection is loose.	1. Tighten hose. 2. Replace hose.
Leaks at shower valve connection.	1. Connection may come loose or not sealed completely. 2. Defective shower valve inlet or outlet connector.	1. Check connections. 2. Replace valve body.
Diverter knob does not work.	1. Diverter cartridge may be defective.	1. Replace cartridge.
LED light does not Light or noisy LED showerhead.	1. Defective LED generator.	1. Replace LED spray head (for kitchen faucet). 2. Replace LED threaded pipe (for separate faucet spout). 3. Replace LED generator (for others).
Low flow.	1. Check for water pressure problems. 2. Aerator may be dirty or clogged.	1. Clean or replace the aerator. 2. Remove waterflow restrictor if available. 3. Install booster or pump (if applicable).