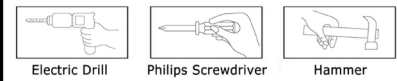


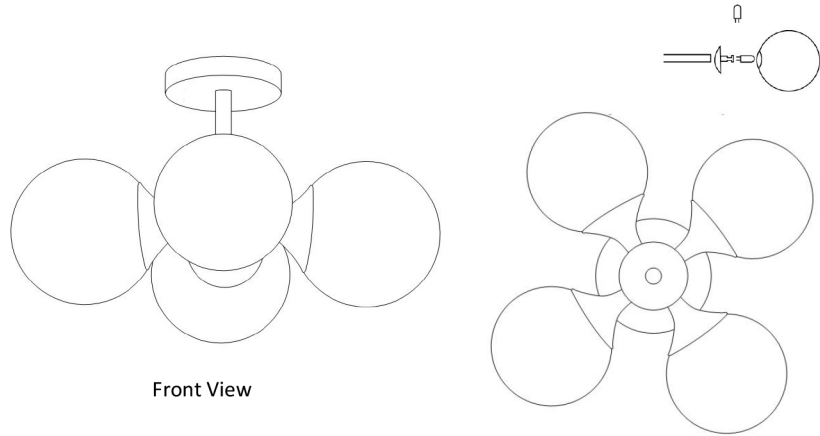
# Light Fixture Installation

## Tools Required:



## Before Installation

1. please read these instructions before assembling or installing the product. **NOTE:** Installation by a licensed electrician is recommended
2. Take out the fixture and mounting package and make sure all parts are included. If any part is missing or damaged, please contact us.
3. All parts must be used as indicated in these instructions. Do not substitute any parts, leave parts out, or use any parts that are worn out or broken.
4. Do not disassemble the main body, as it has been installed & commissioned correctly & precisely before leaving the factory.
5. **IMPORTANT:** Turn off the main power at the circuit breaker and place the wall switch or pull chain in the "OFF" position.
6. Do not use bulbs with wattage greater than specified on this fixture.

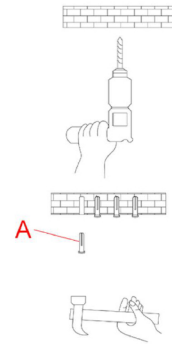


Front View

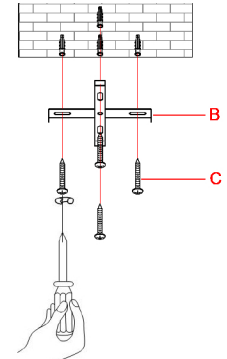
Top View

Part	Name	Quantity
A	expansion anchors	4
B	mounting strap	1
C	screws	4
D	wire connectors	2
E	canopy	1
F	Flat head screw	2
G	Terminals	1

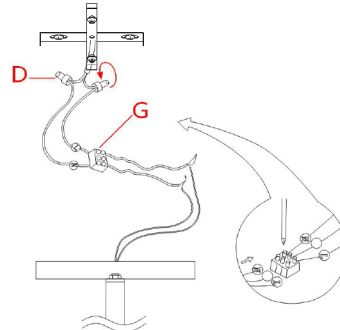
## Installation Guide



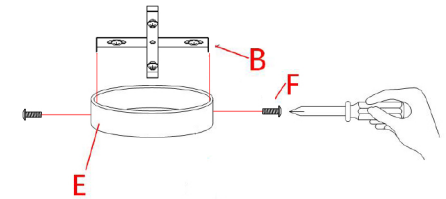
1. Shut off power before installation. Mark holes in the ceiling and drill holes. Then install the expansion anchors (A) in the ceiling.



2. Fix the mounting strap (B) to the ceiling with screws (C).



3. Connect the live (red) and null (black) wires of the starter at one end to corresponding colored wires of the light fixture. Cover them with wire connectors. At the other end, connect the live and null wires of the starter to yours. Insert the starter in the canopy.



4. Attach the canopy (E) to the mounting strap (B) and fix it with Flat head screw (F). Turn on the power and test.

## Troubleshooting

problem	Possible Cause	Corrective Action
Fixture does not light.	<ol style="list-style-type: none"> <li>1. Fixture may be wired incorrectly</li> <li>2. Worn or broken bulb.</li> <li>3. Lamp socket or LED transformer (if applicable) may go bad.</li> </ol>	<ol style="list-style-type: none"> <li>1. Check wiring.</li> <li>2. Replace bulb.</li> <li>3. Replace lamp socket or LED transformer (if applicable)</li> </ol>
Light bulb flickers.	<ol style="list-style-type: none"> <li>1. Switch Contacts are bad</li> <li>2. Wire connections are loose.</li> <li>3. Light bulb socket may go bad.</li> </ol>	<ol style="list-style-type: none"> <li>1. Replace the switch.</li> <li>2. Check wire connections</li> <li>3. Replace the socket.</li> </ol>