

Bathroom Faucet Installation

Tools You Will Need:



Adjustable wrench



Hexagon wrench



Philips Screwdriver

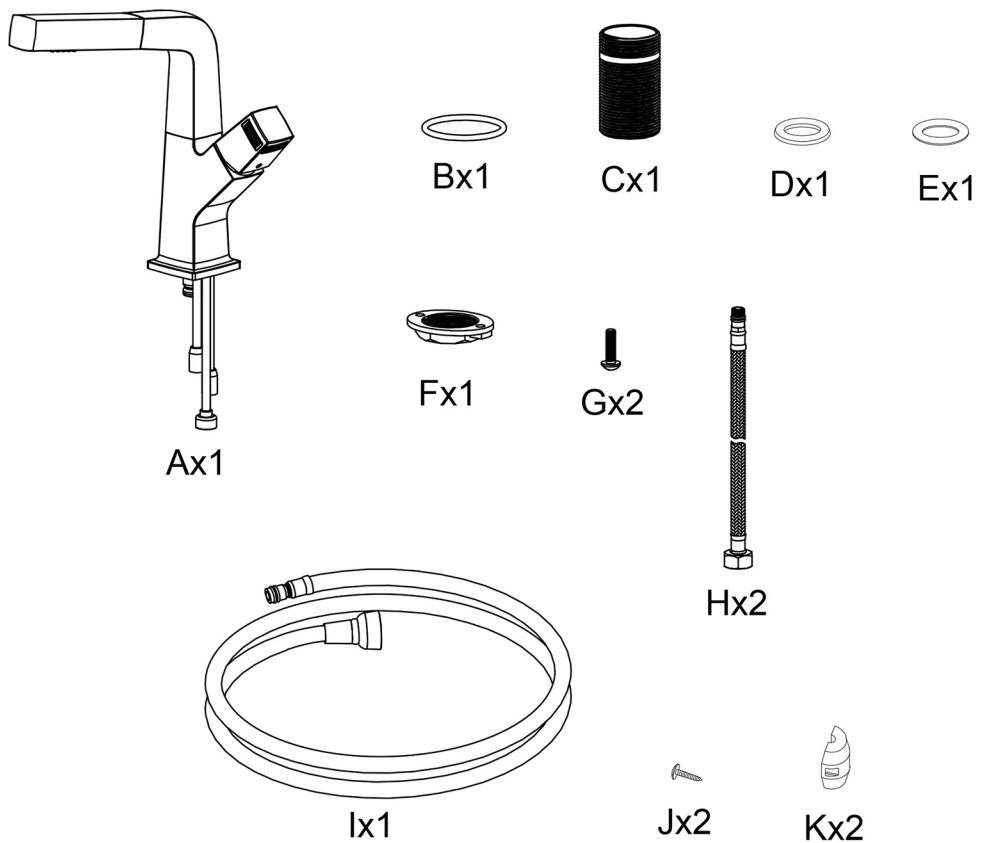
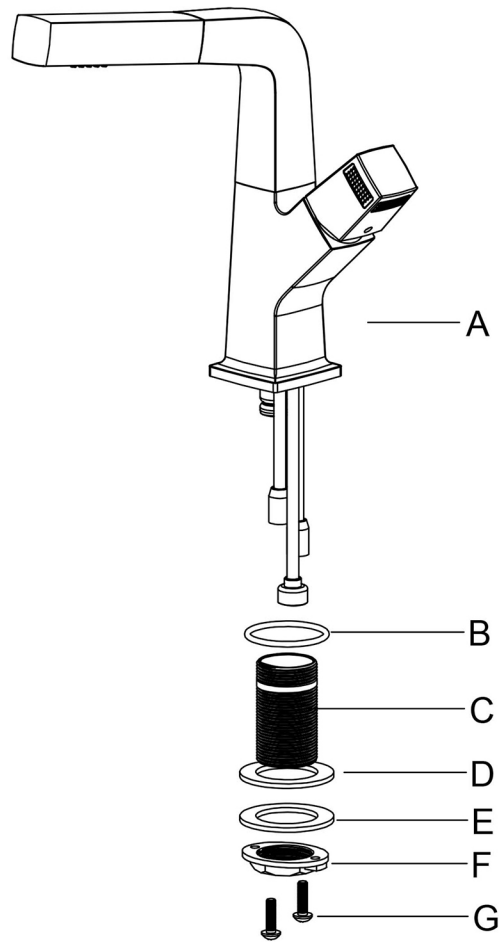
Before the Installation

1. Do not throw away packing materials until assembly is complete for small parts may come loose inside the carton during shipment. If parts are missing, please contact us.
2. Assemble this item on a soft surface, such as carpet to protect the finish.
3. Proper assembly of this item requires 2 people.
4. Periodically check to ensure that all connections are tight.
5. It is recommended that installation of the product be done by a qualified licensed plumber.

Care and Cleaning

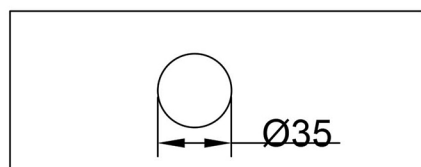
1. To protect the finish, avoid use chemicals and household cleaners.
2. All hot serving dishes should be placed on a pad.
3. Any liquid spilled onto the top should be cleaned up immediately with a damp cloth.

Parts List

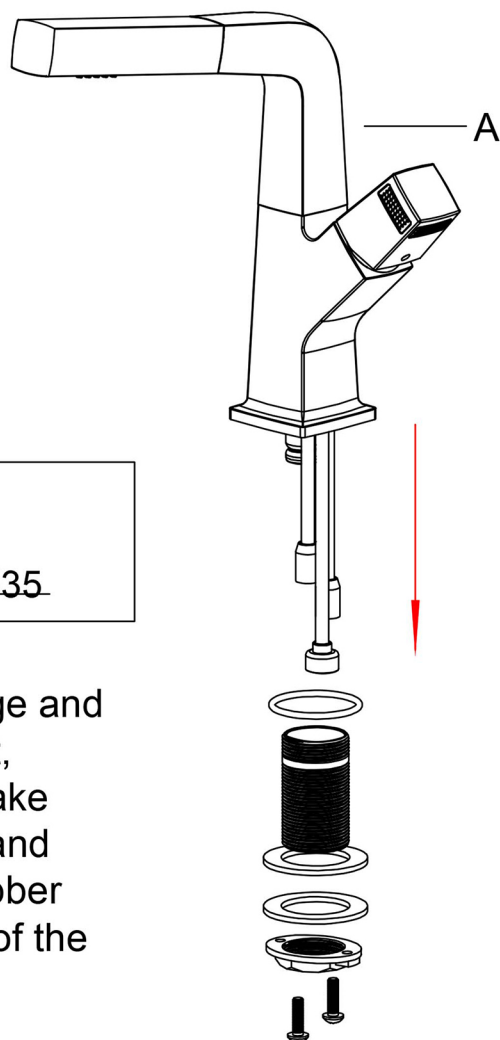


Step 1

P.3/6



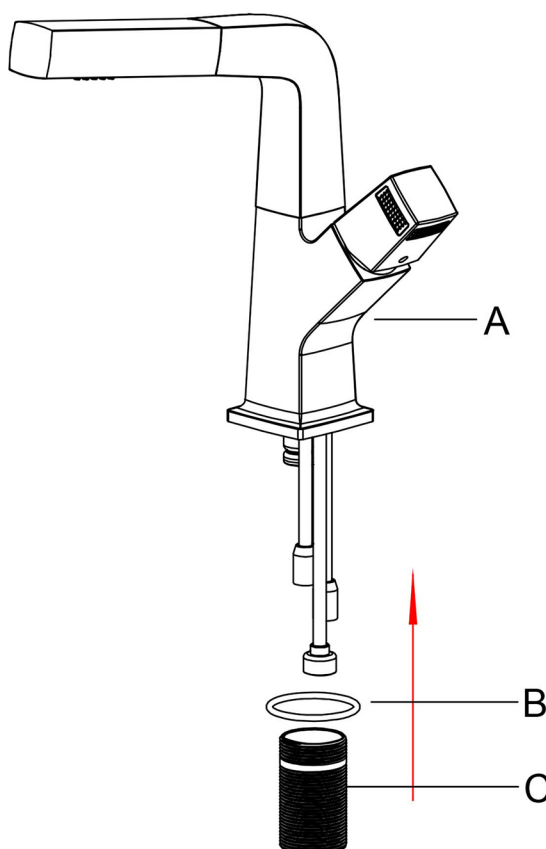
1. Open the package and take out the faucet, unscrew the nut, take down the gasket, and leave the black rubber ring in the groove of the faucet base.



Step 2

B x1

C x1



Step 3

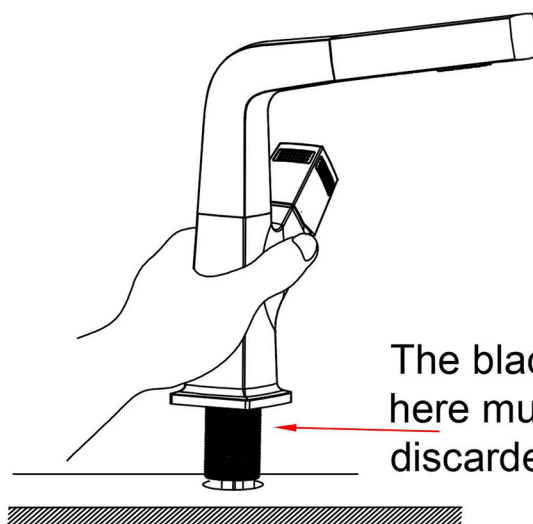
P.4/6

D  x1

E  x1

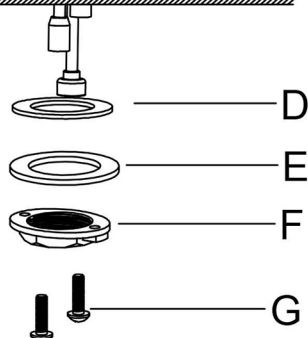
F  x1

G  x2

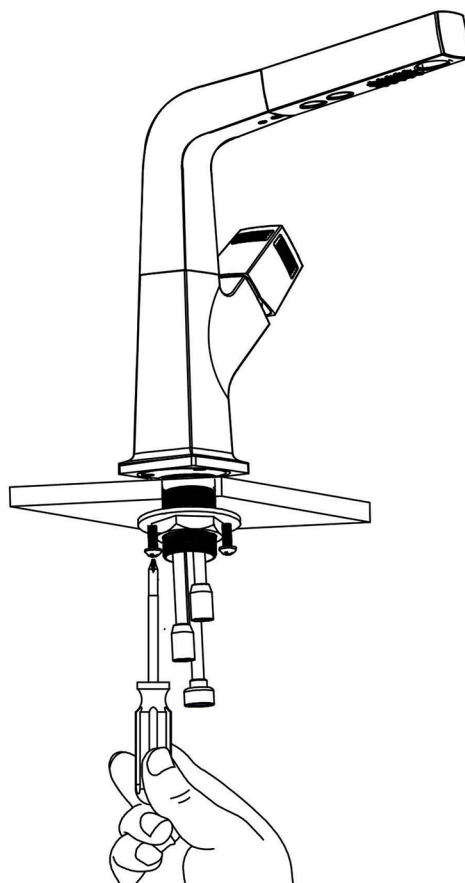


The black rubber ring here must not be discarded!

3. Pass the water inlet pipe through the installation hole. Thread into the gasket and nut.



Step 4

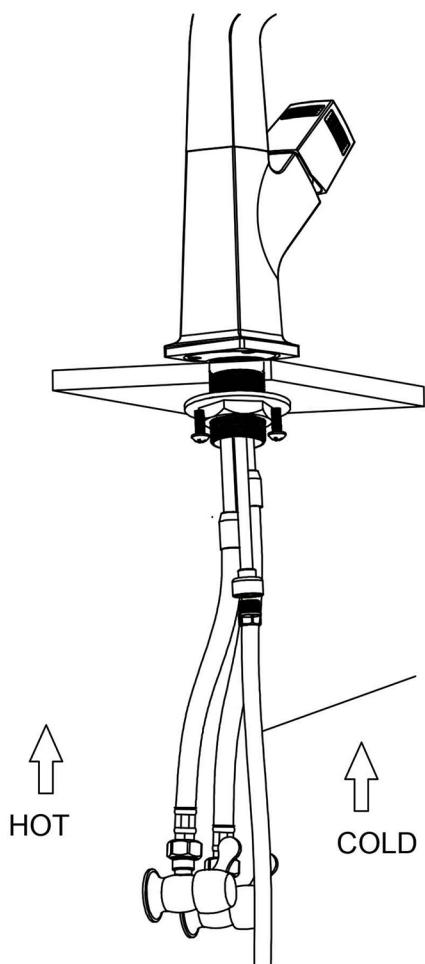


4. Tighten the screws with a screwdriver.

Step 5

P.5/6

Connect the cold and hot water angle valve and the pull hose.



Step 6

J  x2

K  x2

