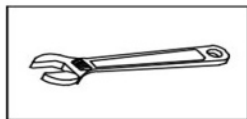
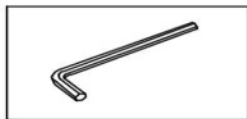


Dressers & Chest Installation

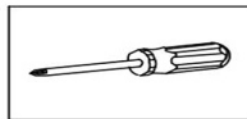
Tools You Will Need: Tools You May Need



Adjustable wrench



Hexagon wrench



Philips Screwdriver

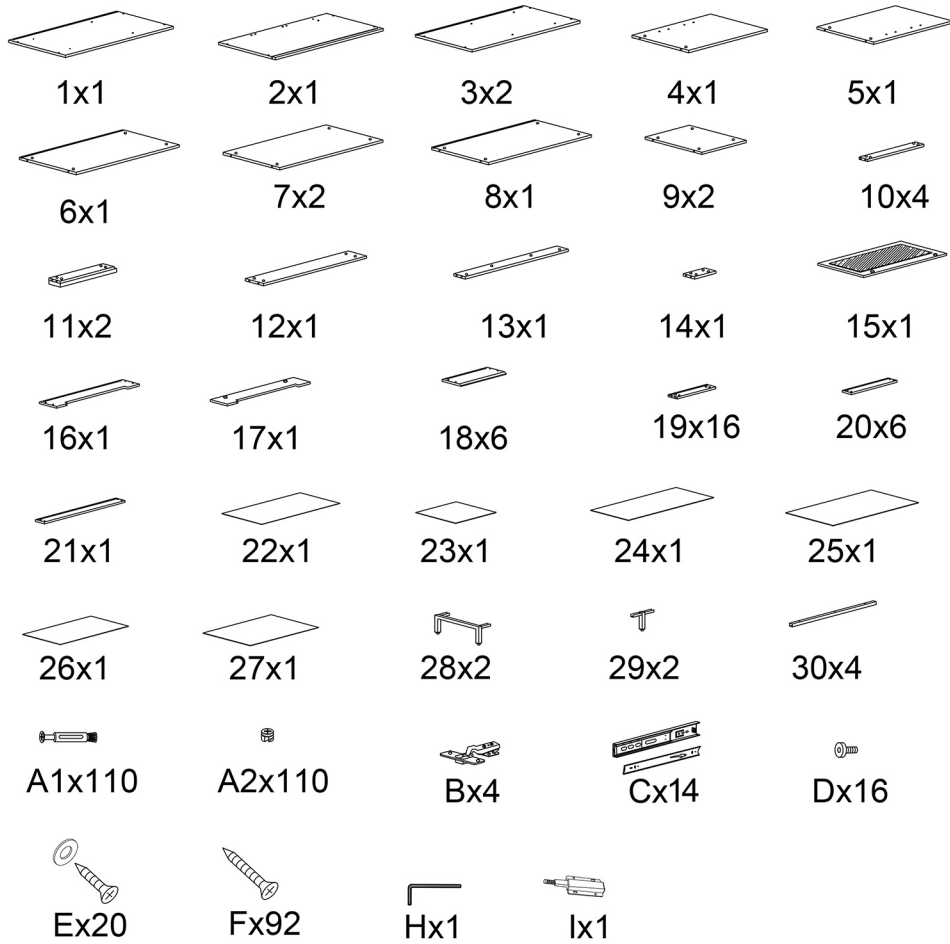
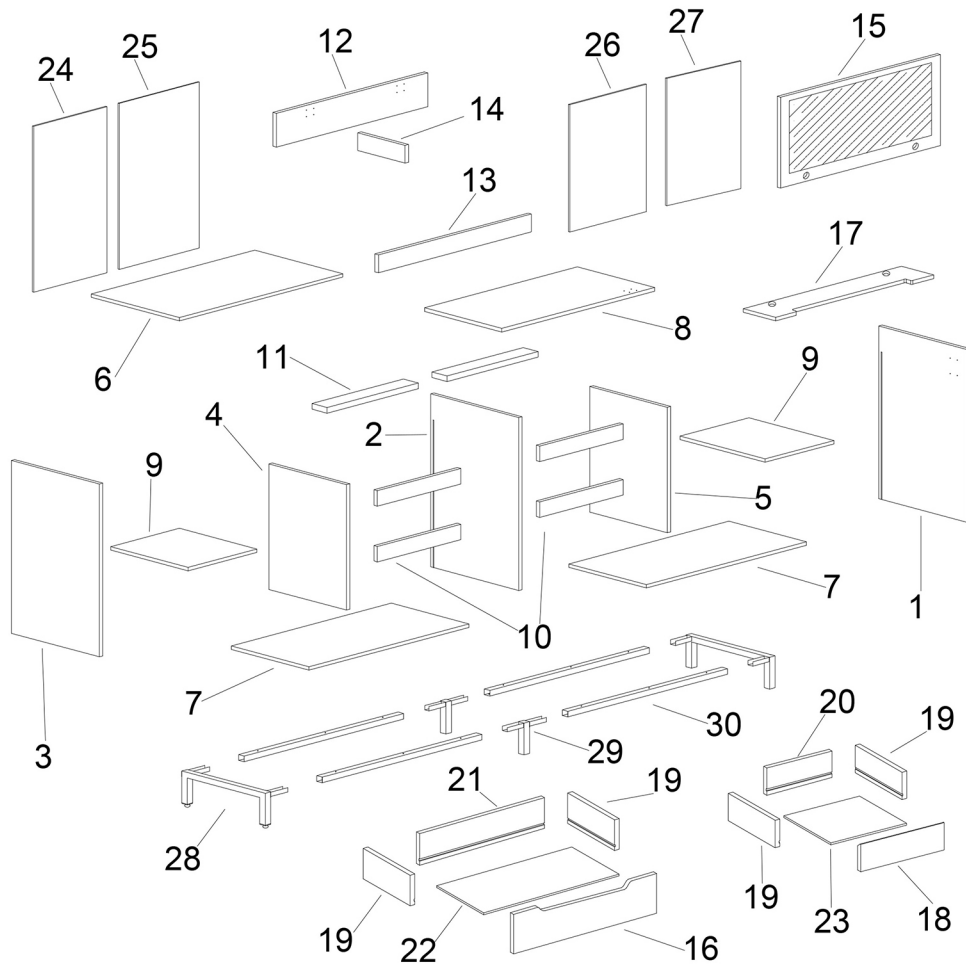
Before the Installation

1. Do not throw away packing materials until assembly is complete for small parts may come loose inside the carton during shipment. If parts are missing, please contact us.
2. Assemble this item on a soft surface, such as carpet to protect the finish.
3. Proper assembly of this item requires 2 people.
4. Periodically check to ensure that all connections are tight.
5. It is recommended that installation of the product be done by a qualified licensed furniture assembler.

Care and Cleaning

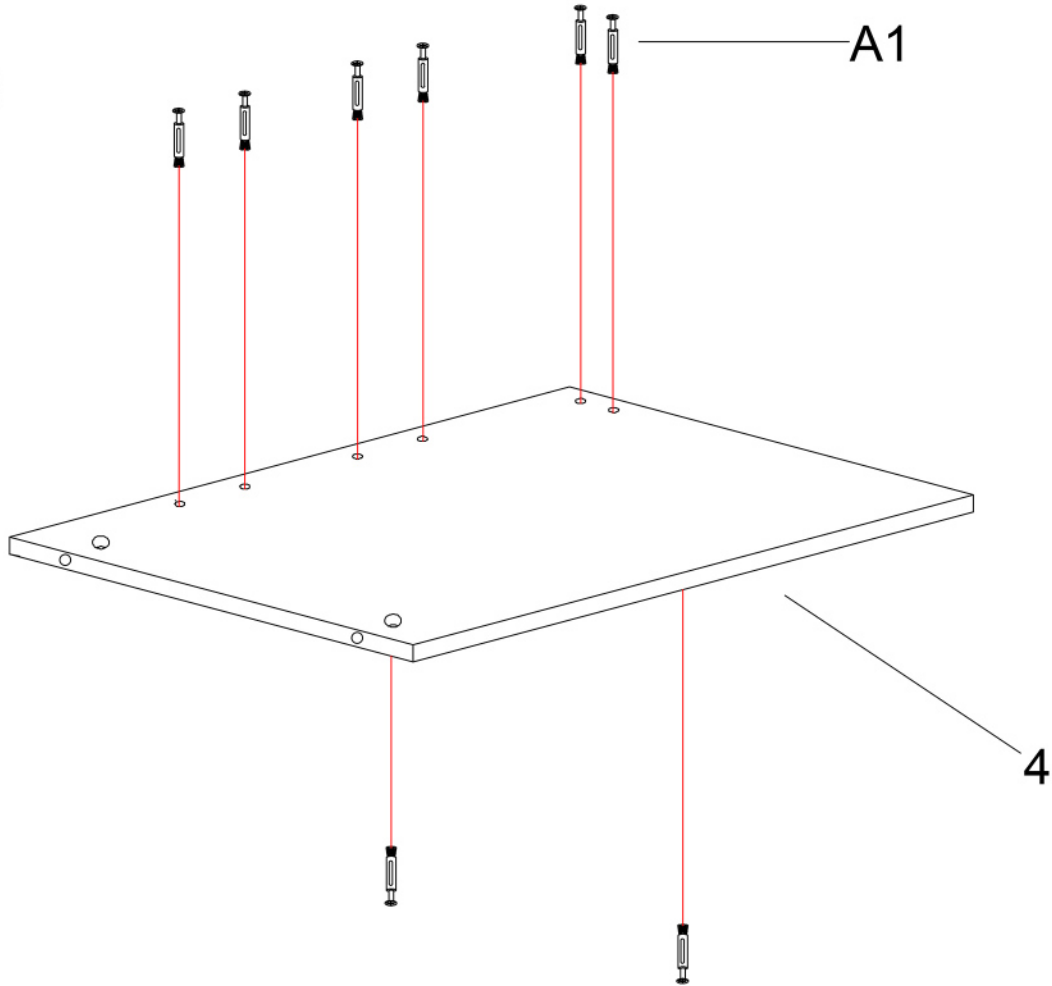
1. To protect the finish, avoid use chemicals and household cleaners.
2. All hot serving dishes should be placed on a pad.
3. Any liquid spilled onto the top should be cleaned up immediately with a damp cloth.

Parts List



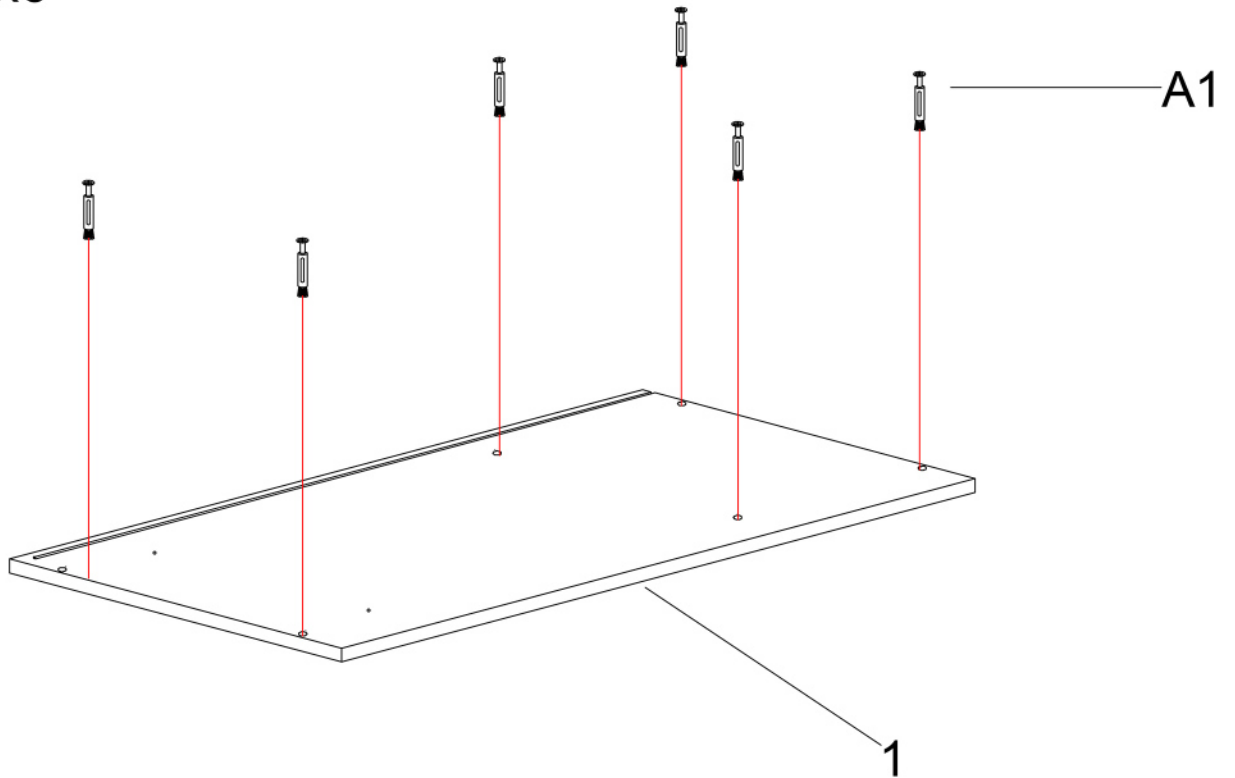
Step 1

A1  x8



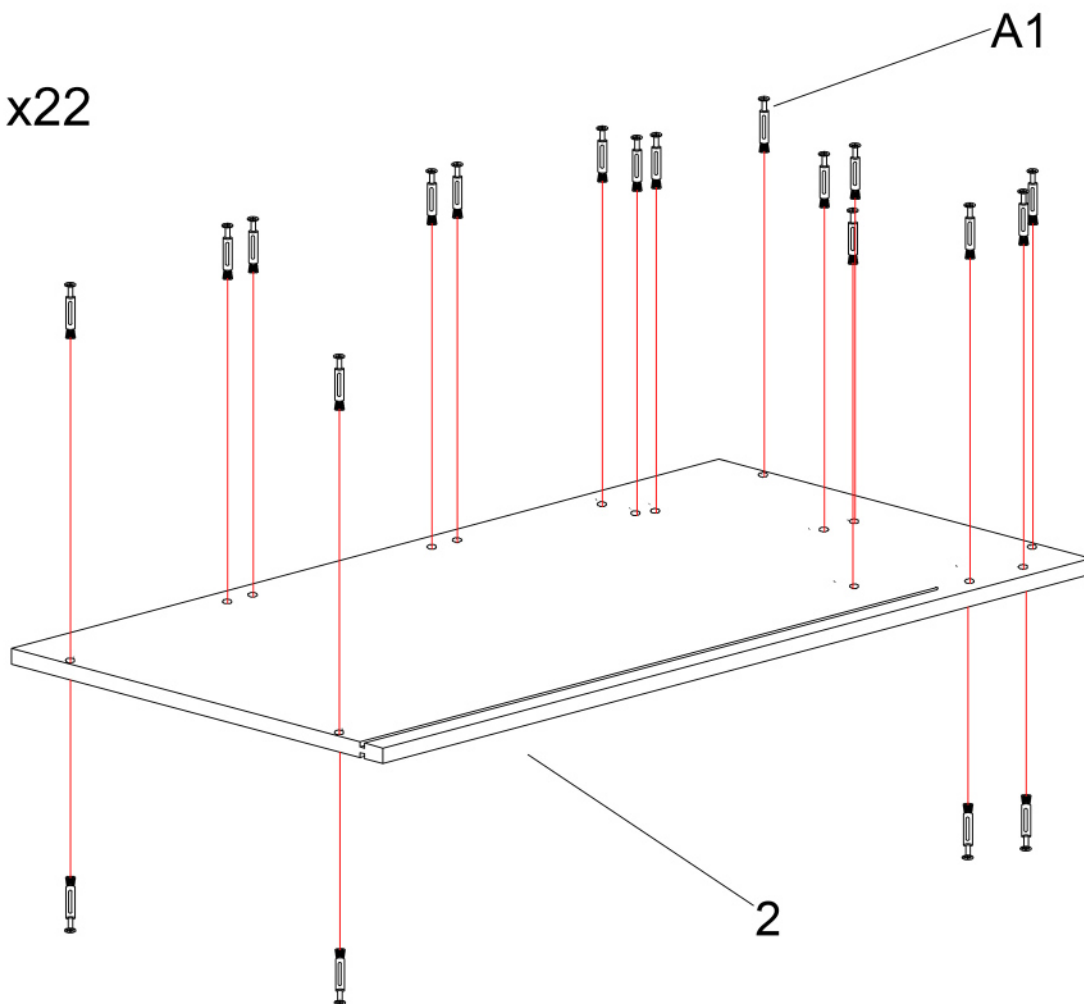
Step 2

A1  x6



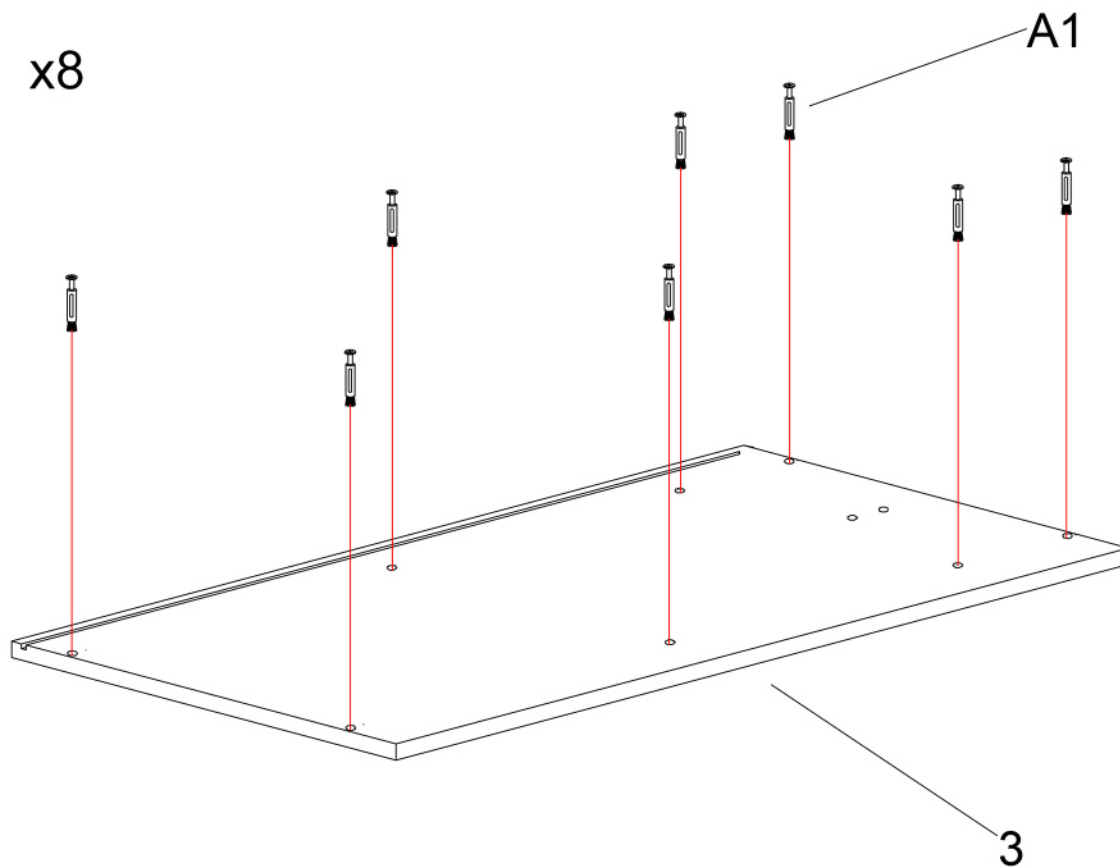
Step 3

A1  x22



Step 4

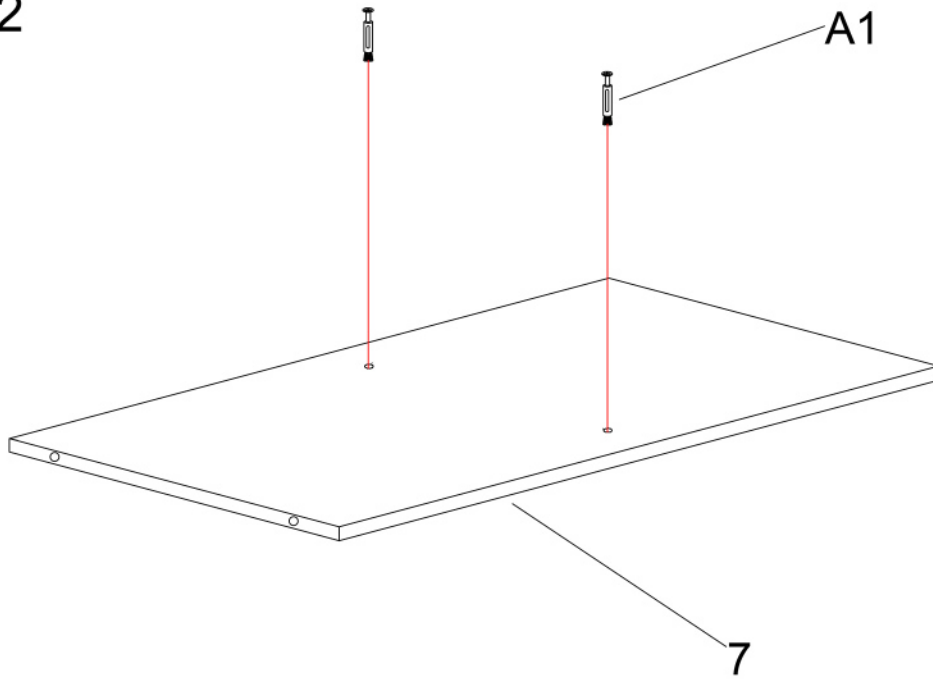
A1  x8



Step 5

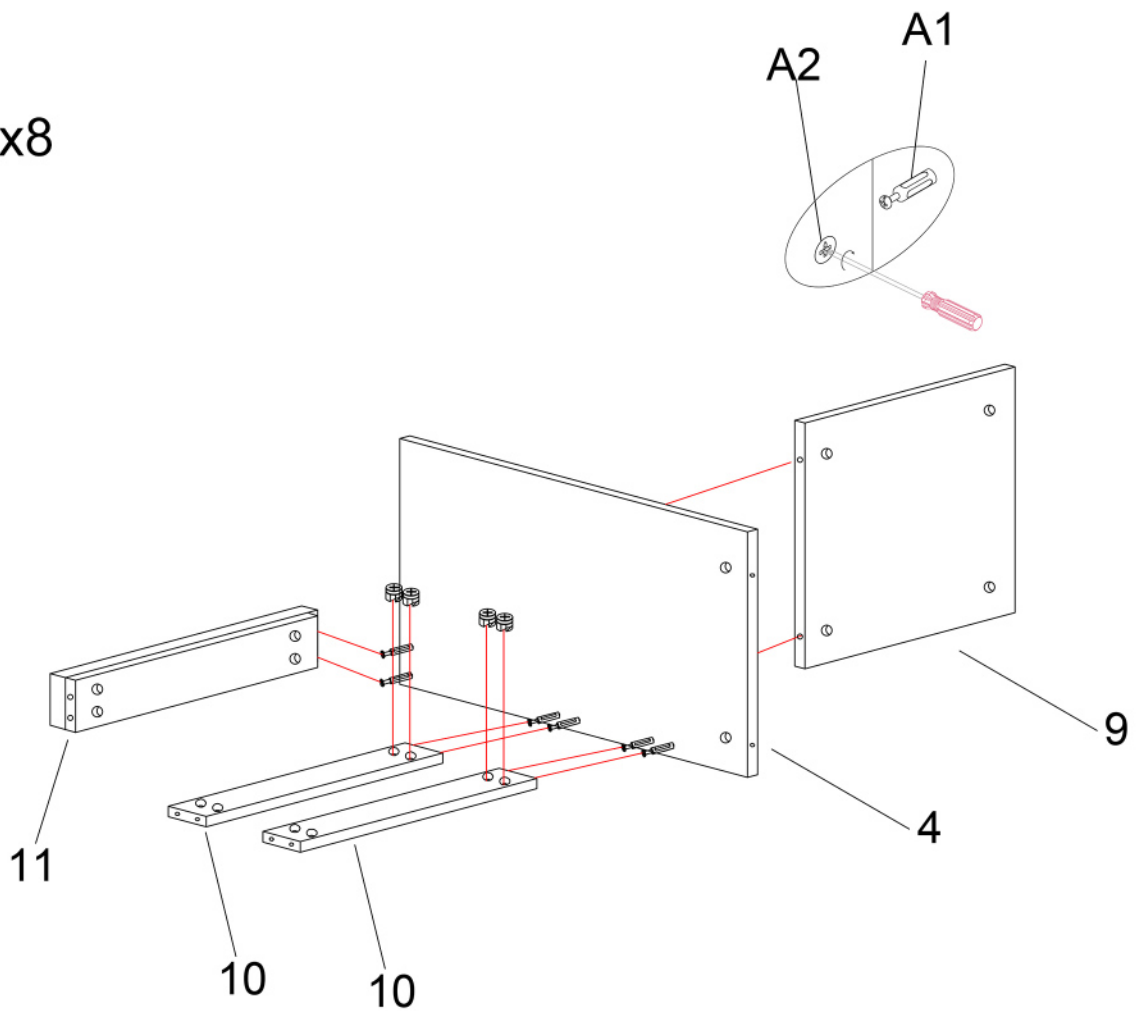
P.5/13

A1  x2



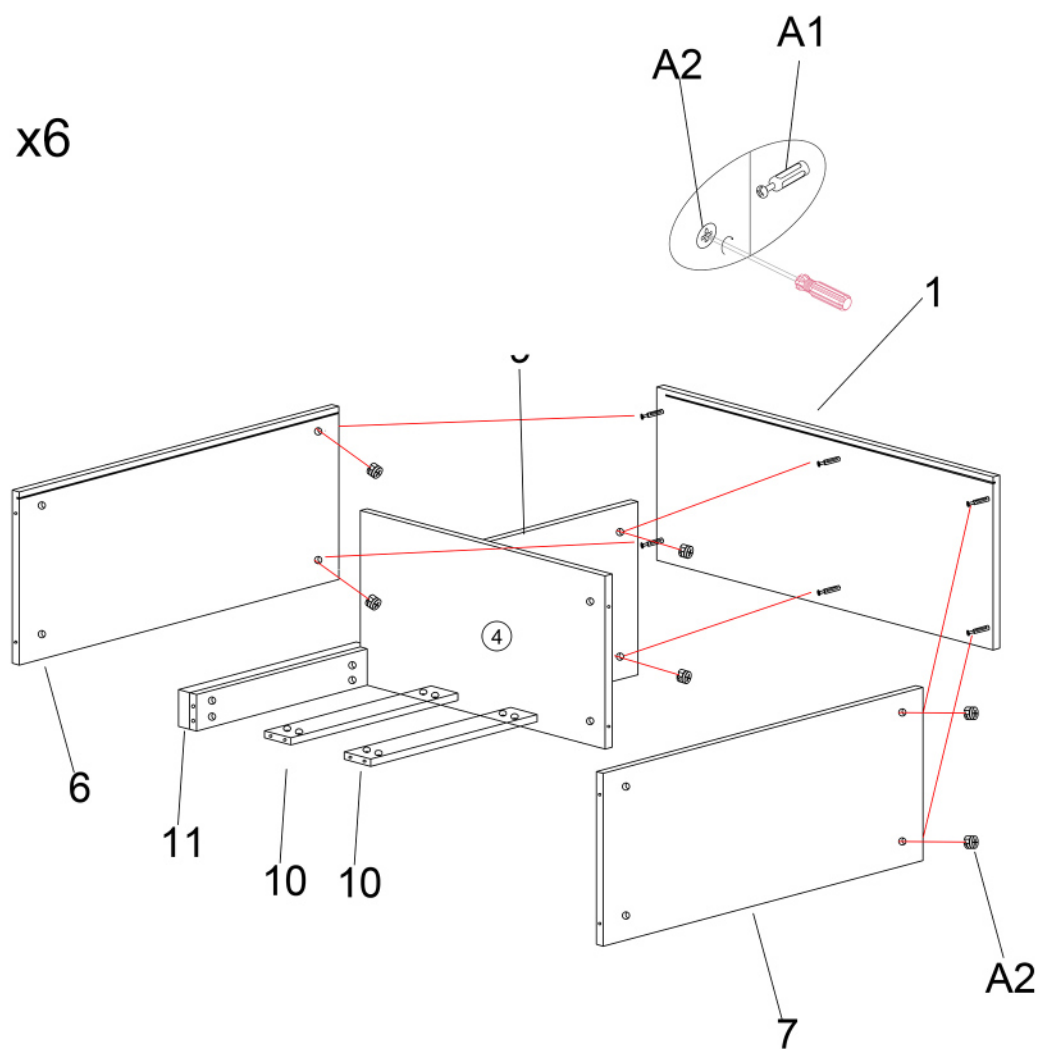
Step 6

A2  x8

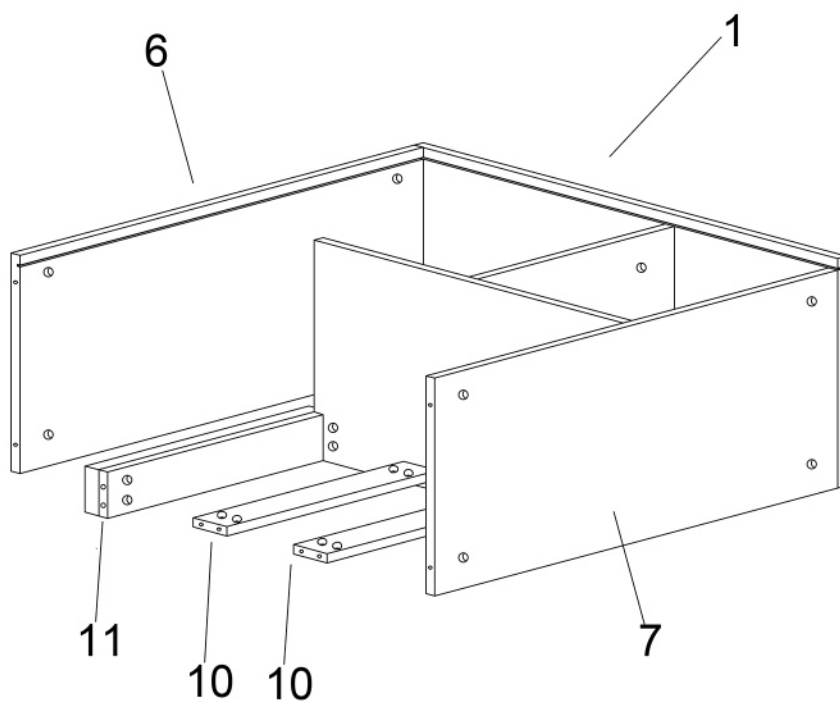


Step 7

A2  x6



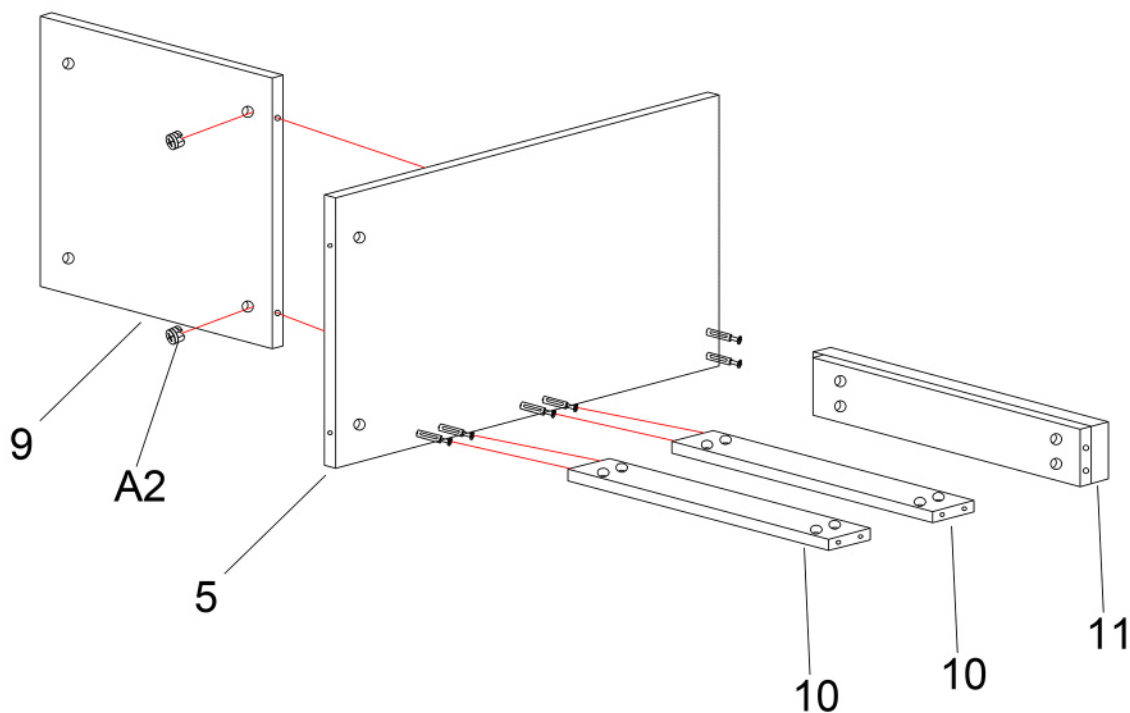
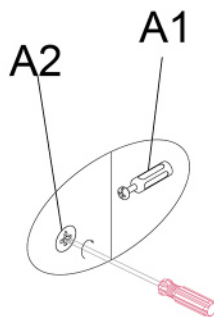
Step 8



Step 9

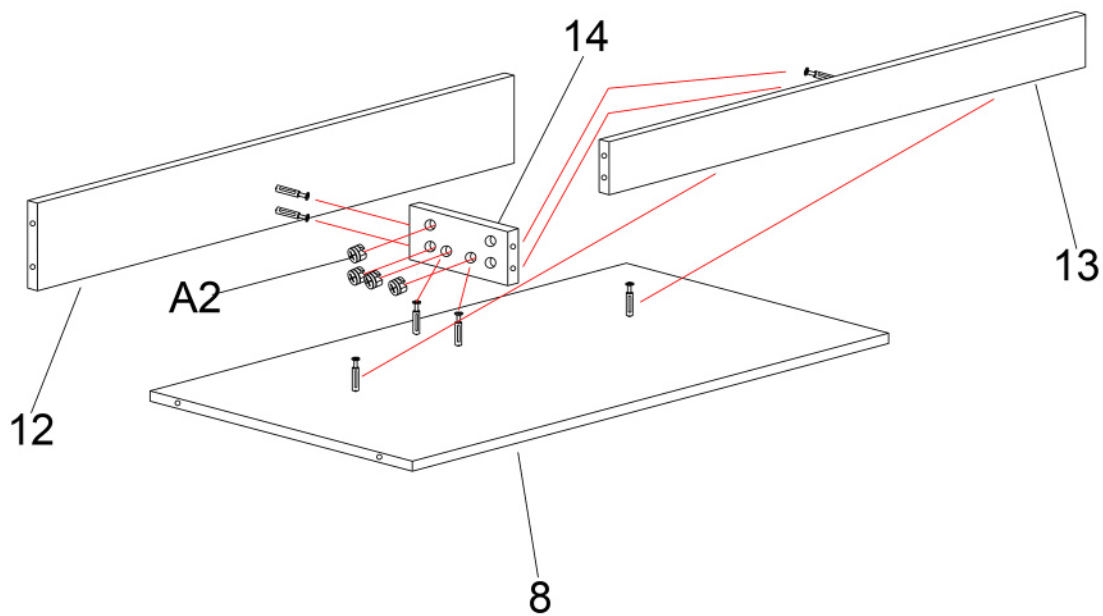
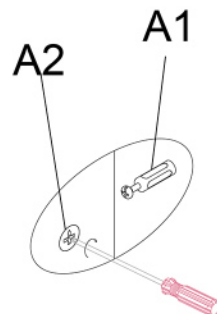
P.7/13

A2  x8



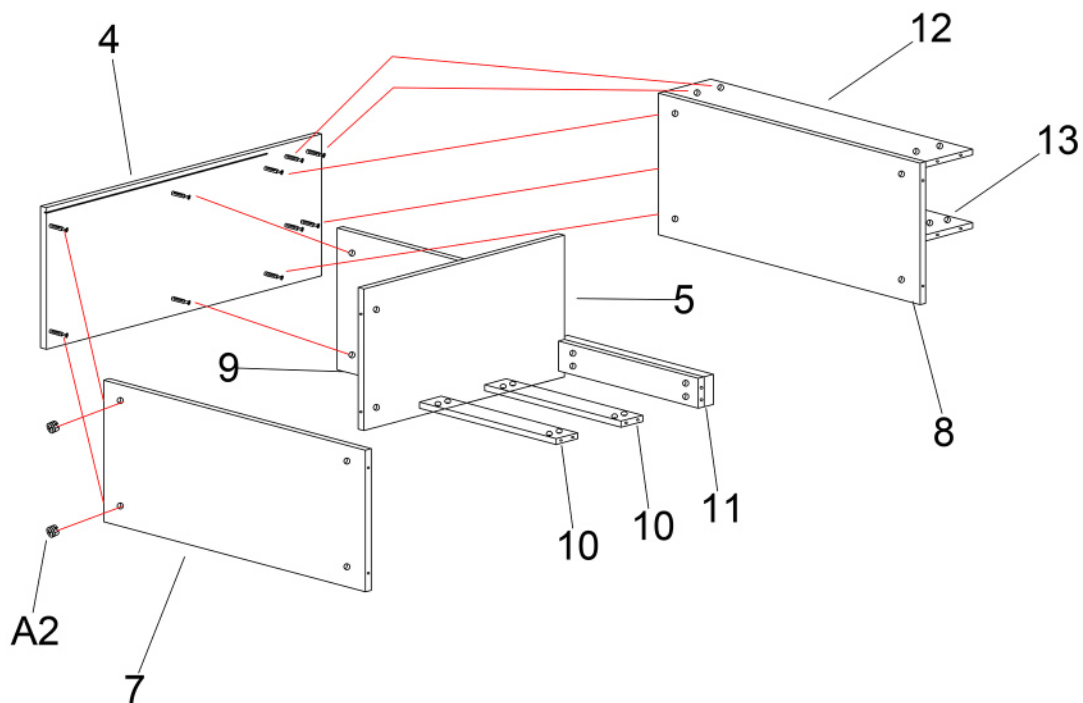
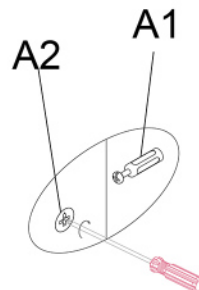
Step 10

A2  x8

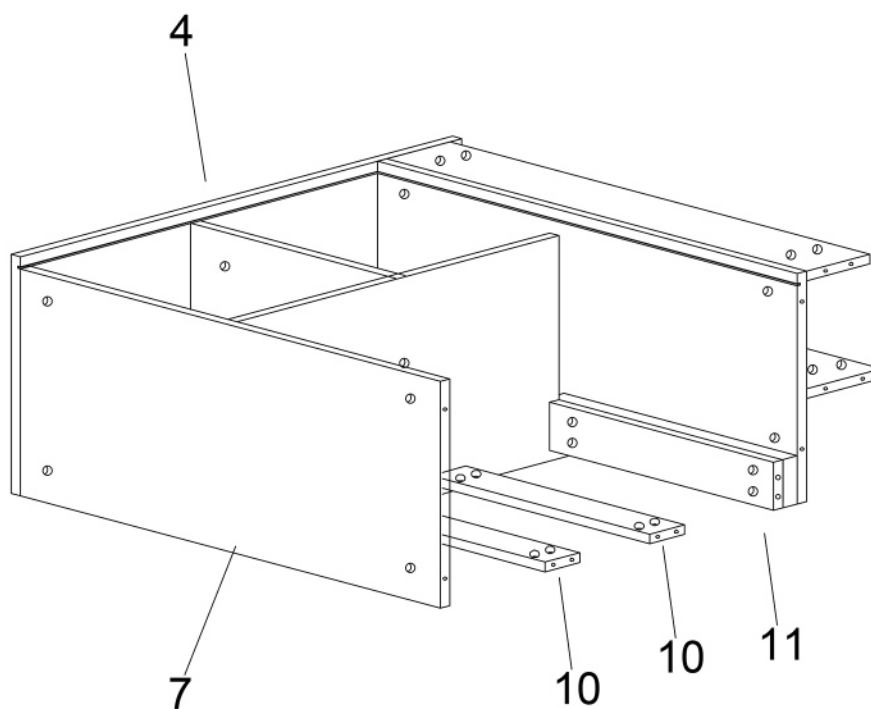


Step 11

A2  x10

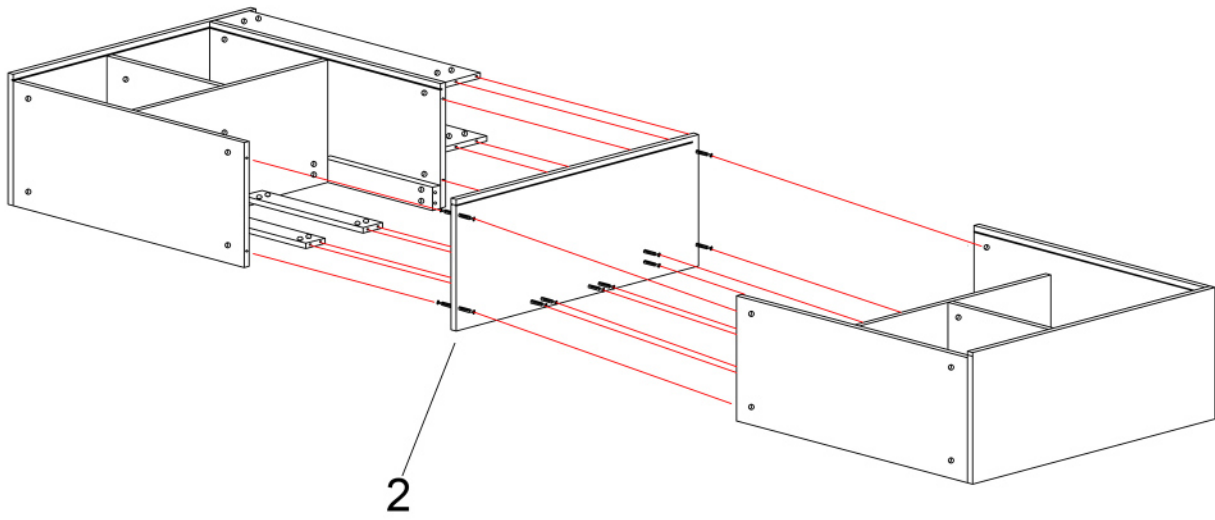
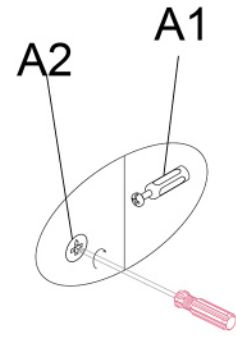


Step 12

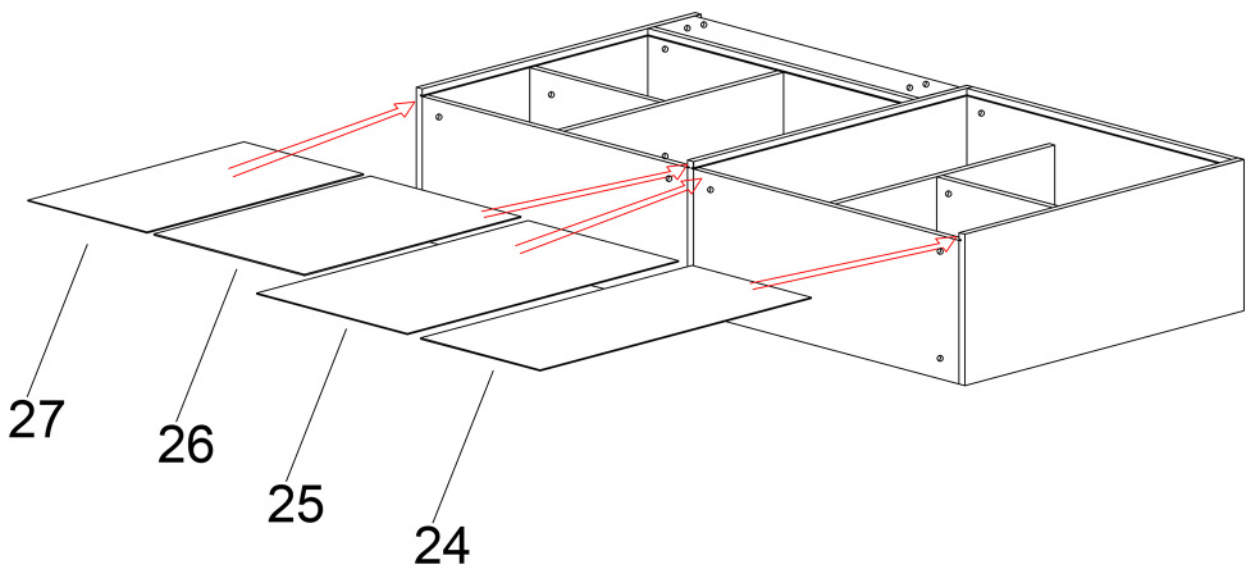


Step 13

A2  x22



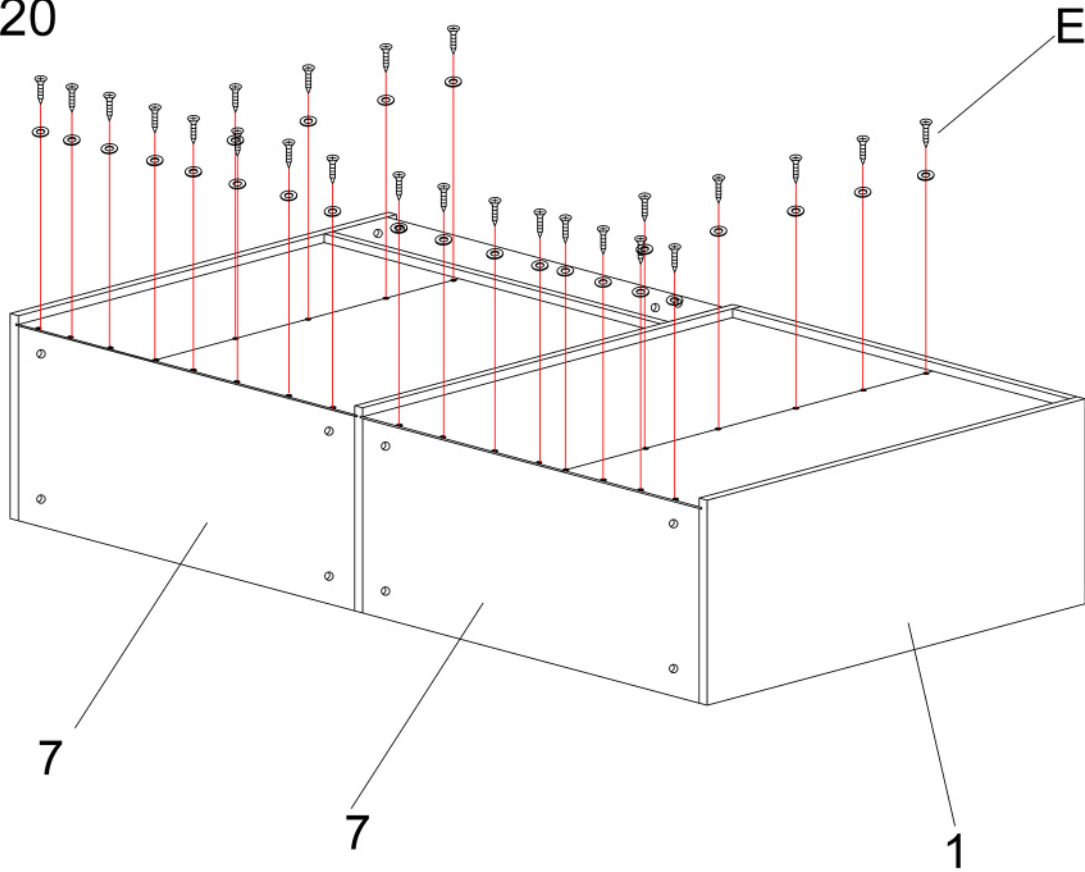
Step 14



Step 15

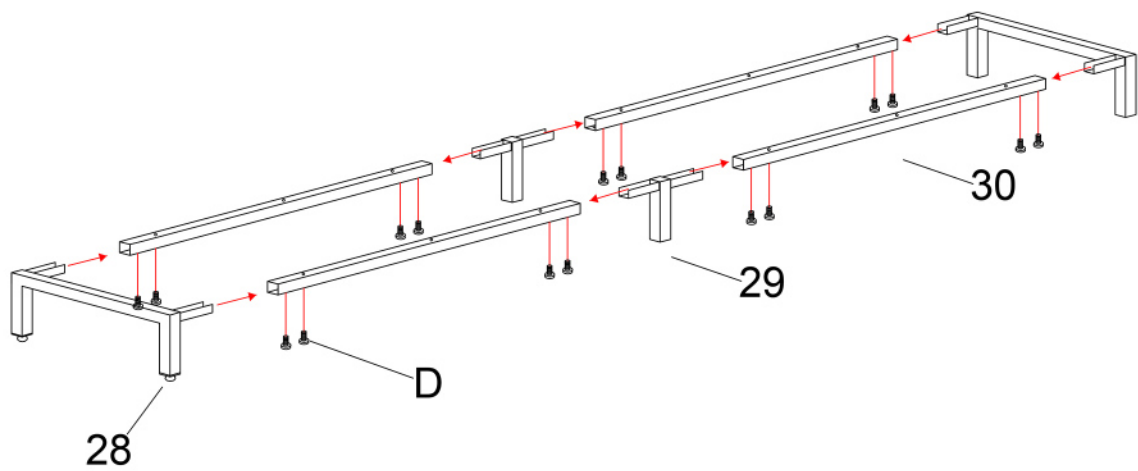
P.10/13

E  x20



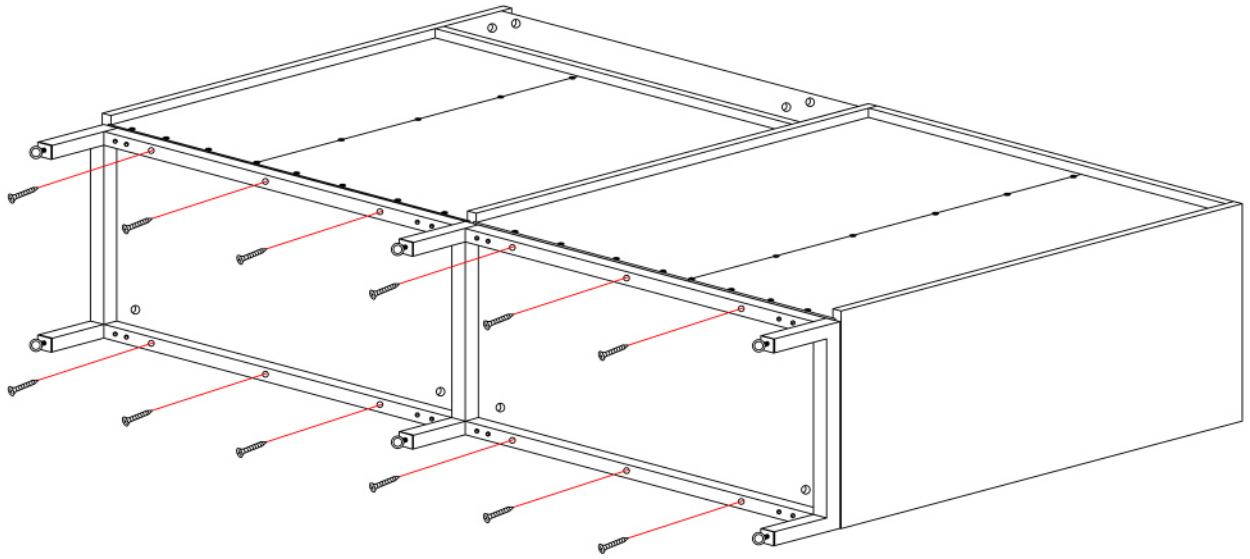
Step 16

D  x16



Step 17

F  x12

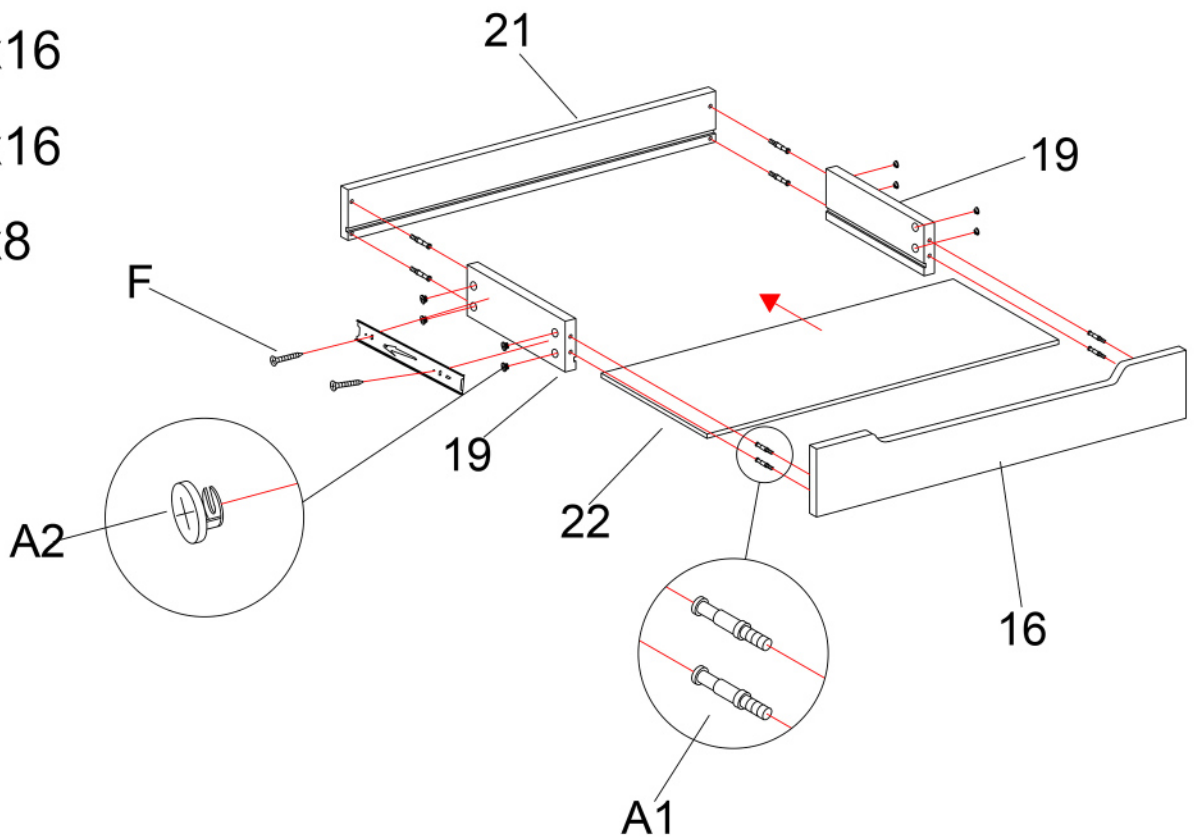


Step 18

S  x16

T  x16

F  x8



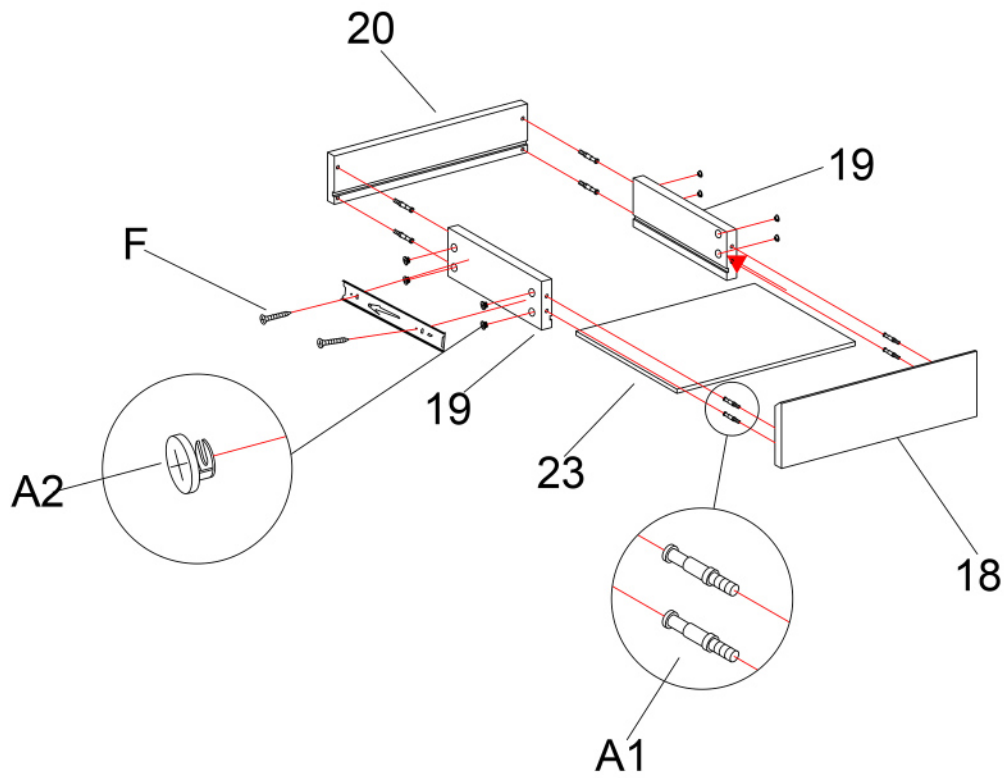
Step 19

P.12/13

S  x48

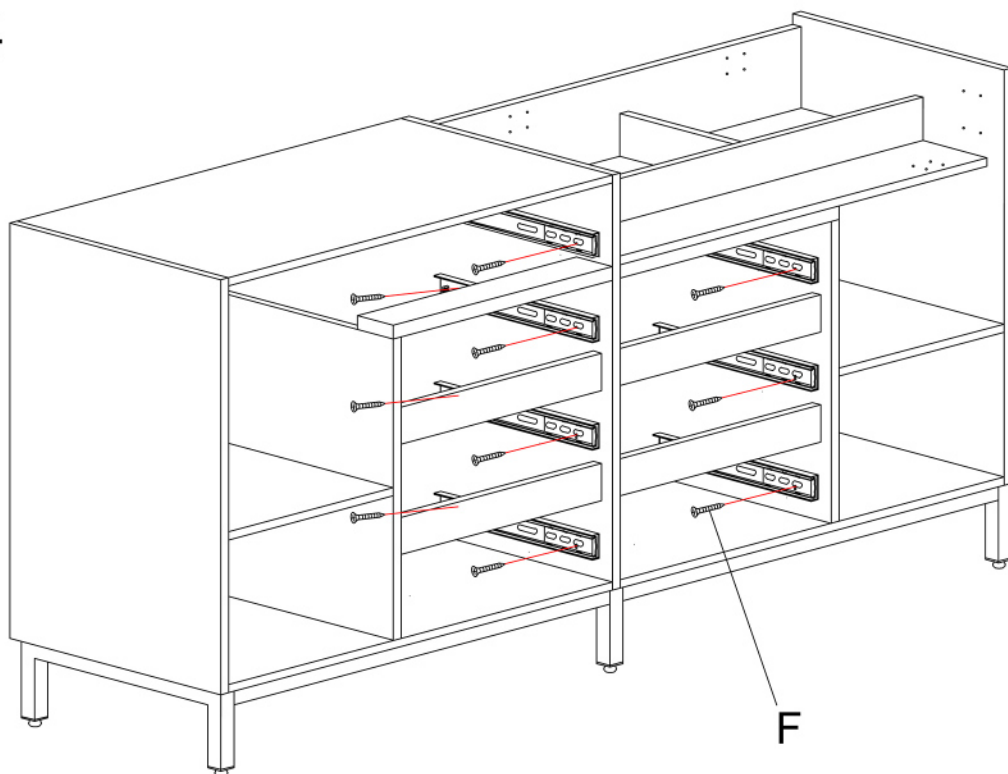
T  x48

F  x24



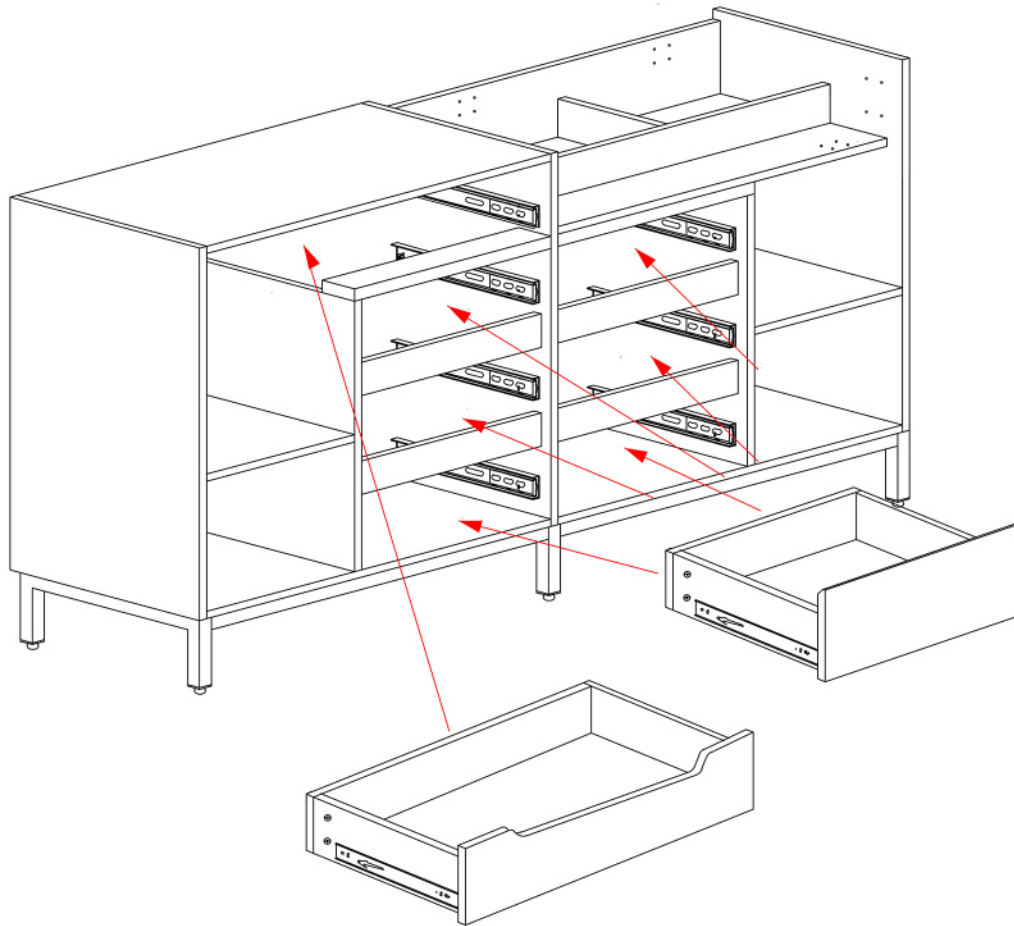
Step 20

F  x14






Step 21

P.13/13



Step 22

- F  x24
- B  x4
- I  x1

