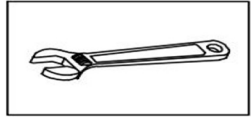
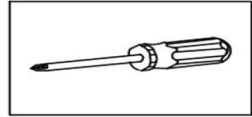


Desk Installation

Tools You Will Need: Tools You May Need



Adjustable Wrench



Philips Screwdriver

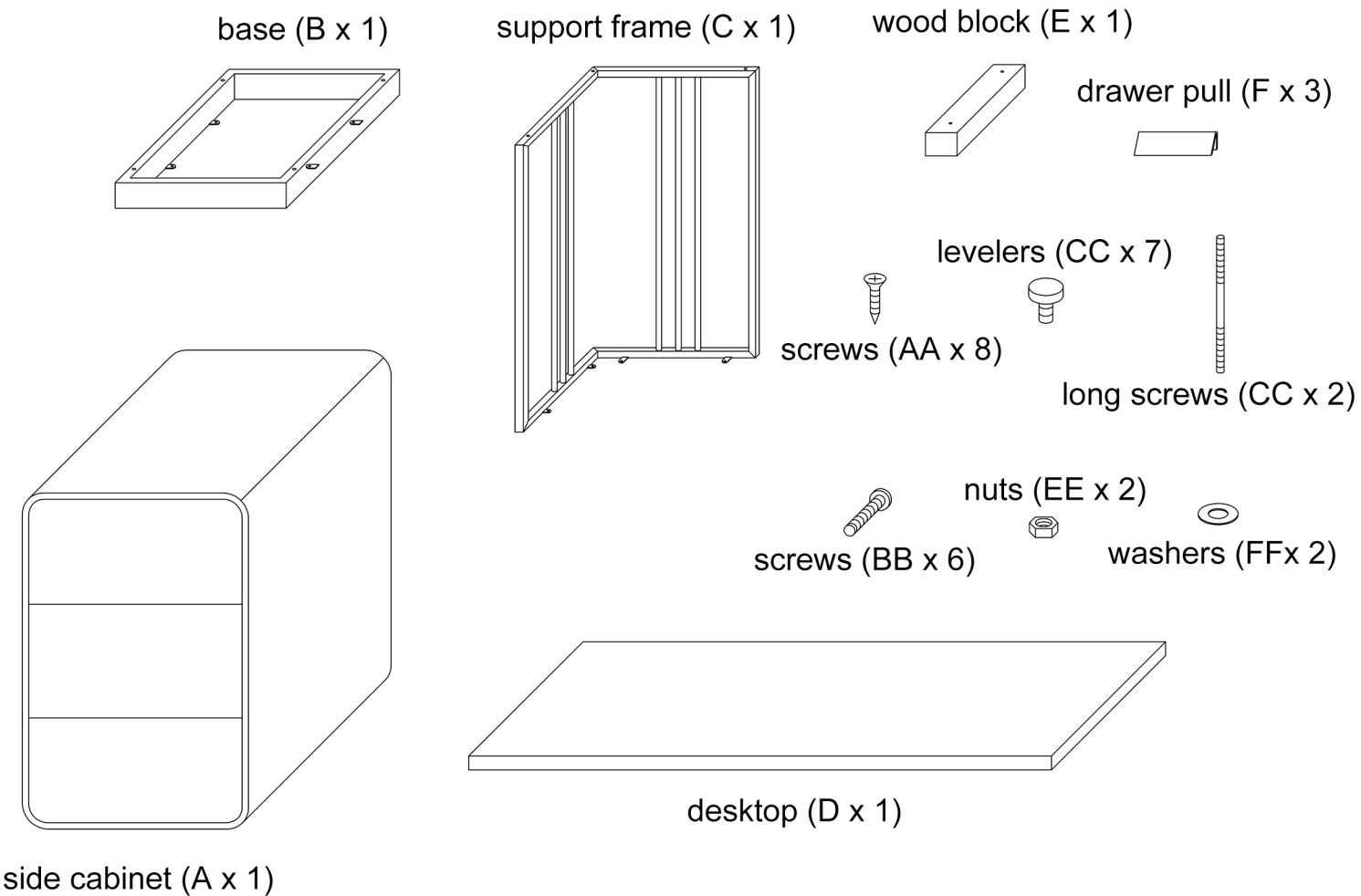
Before the Installation

1. Do not throw away packing materials until assembly is complete for small parts may come loose inside the carton during shipment. If parts are missing, please contact us.
2. Assemble this item on a soft surface, such as carpet to protect the finish.
3. Proper assembly of this item requires 2 people.
4. Periodically check to ensure that all connections are tight.
5. It is recommended that installation of the product be done by a qualified licensed furniture assembler.

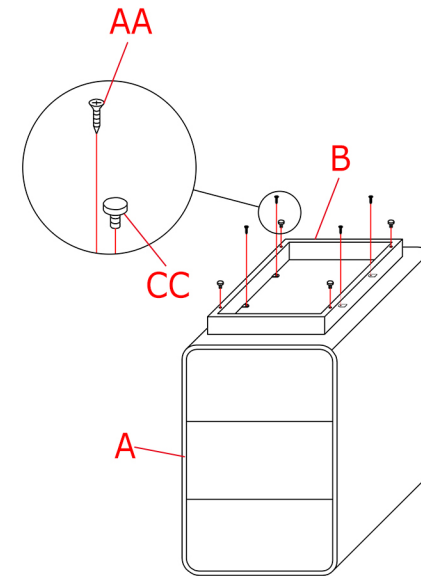
Care and Cleaning

1. To protect the finish, avoid use chemicals and household cleaners.
2. All hot serving dishes should be placed on a pad.
3. Any liquid spilled onto the top should be cleaned up immediately with a damp cloth.

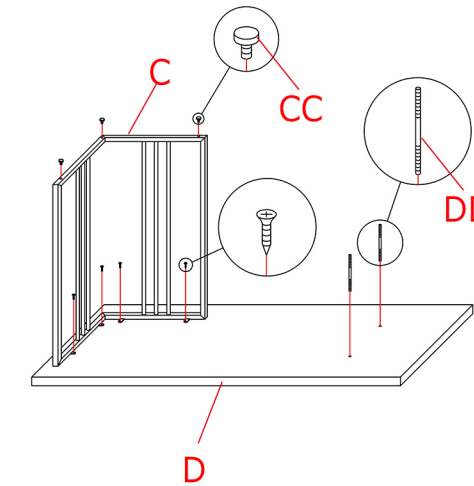
Parts List



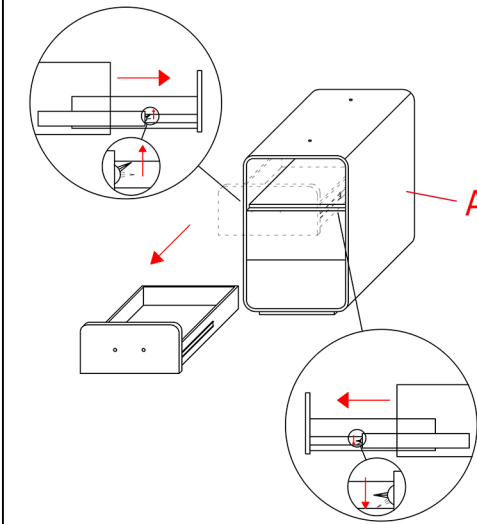
Installation Guide



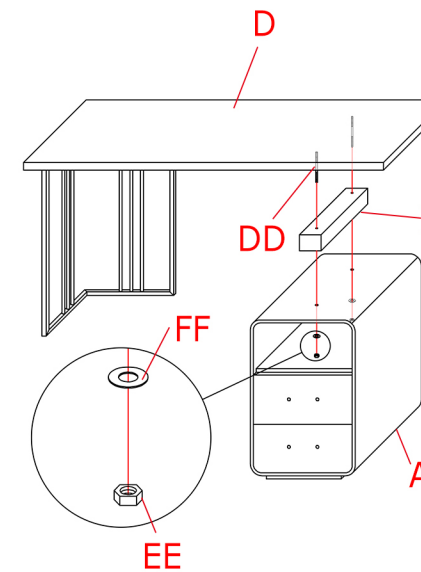
1. Put the side cabinet (A) upside down. Then, install the base (B) to the cabinet (A) with screws (AA) and screw the levelers (CC) onto the base (B).



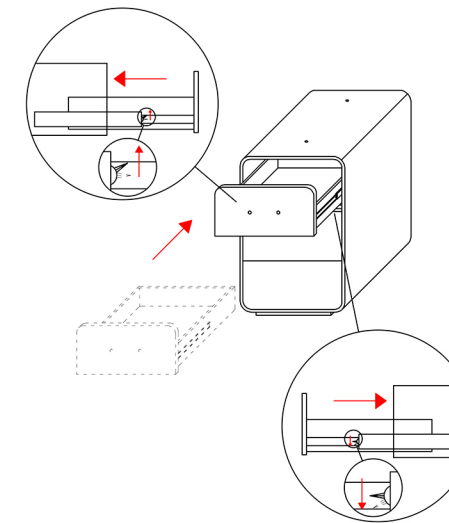
2. Put the desktop (D) upside down. Install the support frame (C) to the desktop (D) with screws and screw in the levelers (CC). Then, fix the long screws (DD) into the pre-drilled holes of the desktop (D) tightly.



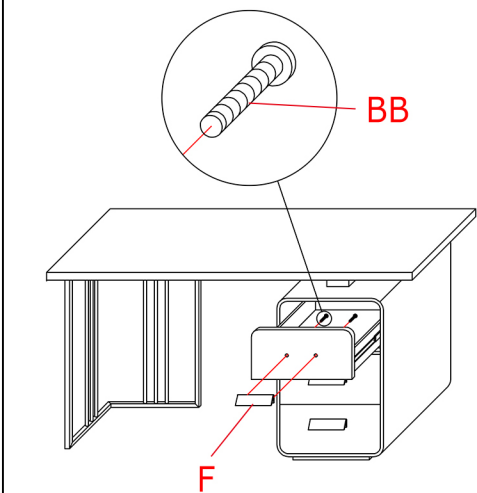
3. Slide out and remove the top drawer from the side cabinet (A).



4. Align the mouting holes of the wood block (E), side cabinet (A), and desktop (D) and insert the long screws (DD) through the wood block (E) and side cabinet (A). Then, fix with washers (FF) and nuts (EE).



5. Install back the top drawer.



6. Install the drawer pulls (F) to the drawer with screws (BB).

Note: Do not fully tighten all bolts until all parts are in place. Failure to follow these instructions may cause the bolt to misalign during assembly.