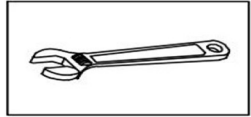
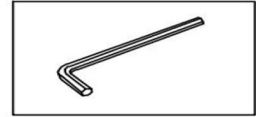


# Fabric Sofa Installation

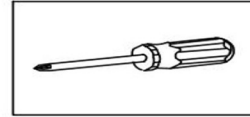
Tools You Will Need: Tools You May Need



Adjustable wrench



Hexagon wrench



Phillips Screwdriver

## Before the Installation

1. Do not throw away packing materials until assembly is complete for small parts may come loose inside the carton during shipment. If parts are missing, please contact us.
2. Assemble this item on a soft surface, such as carpet to protect the finish.
3. Proper assembly of this item requires 2 people.
4. Periodically check to ensure that all connections are tight.
5. It is recommended that installation of the product be done by a qualified licensed furniture assembler.

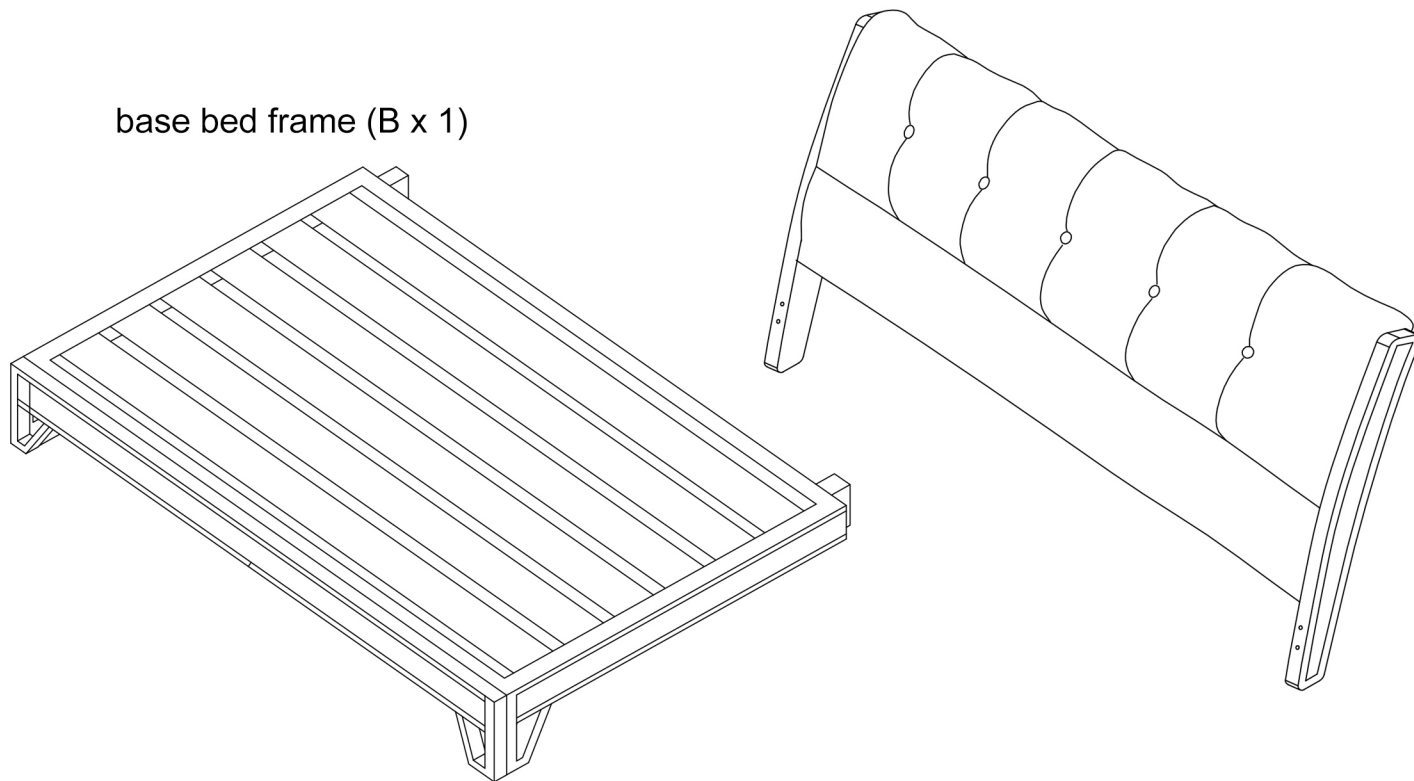
## Care and Cleaning

1. To protect the finish, avoid use chemicals and household cleaners.
2. All hot serving dishes should be placed on a pad.
3. Any liquid spilled onto the top should be cleaned up immediately with a damp cloth.

## Parts List

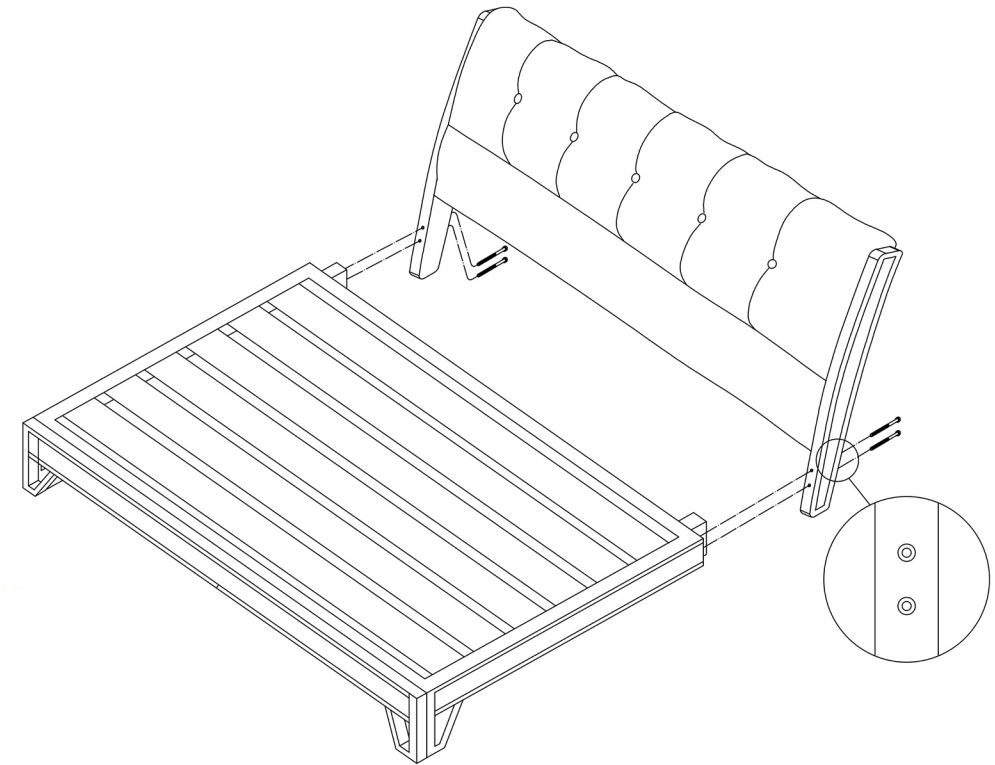
wooden frame with back cushion (A x 1)

base bed frame (B x 1)

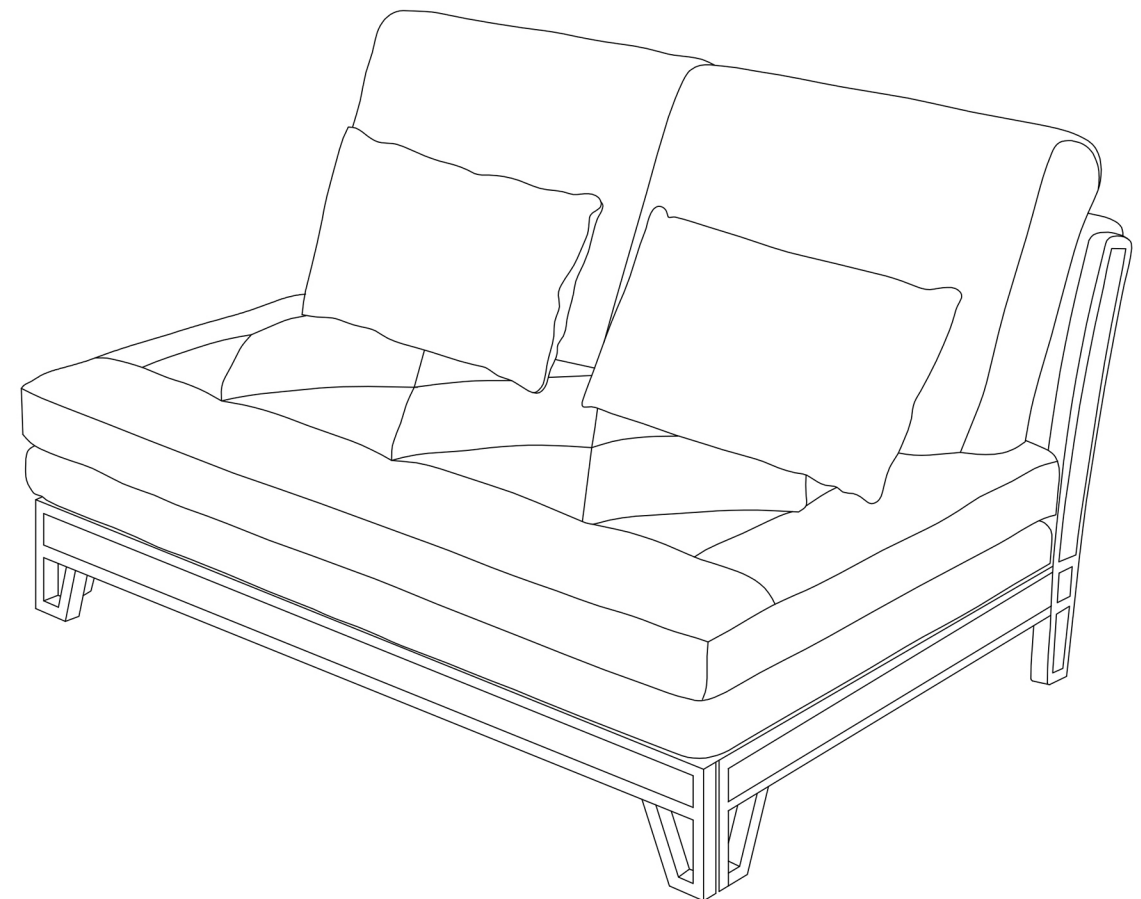


grub screw (C x 4)

## Installation Guide



1. Piece the wooden frame with back cushion (A) together with the base bed frame (B) and secure them by screwing 2 grub screws (C) at each side leg of the wooden frame with back cushion (A) as shown in the picture.



2. Put the cushions on the base bed frame.

**Note:** Do not fully tighten all bolts until all parts are in place. Failure to follow these instructions may cause the bolt to misalign during assembly.