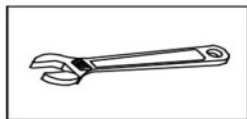
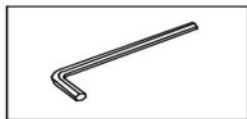


Patio Conversation Set Installation

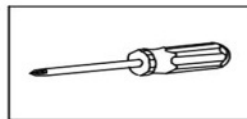
Tools You Will Need: Tools You May Need



Adjustable wrench



Hexagon wrench



Philips Screwdriver

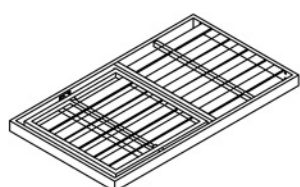
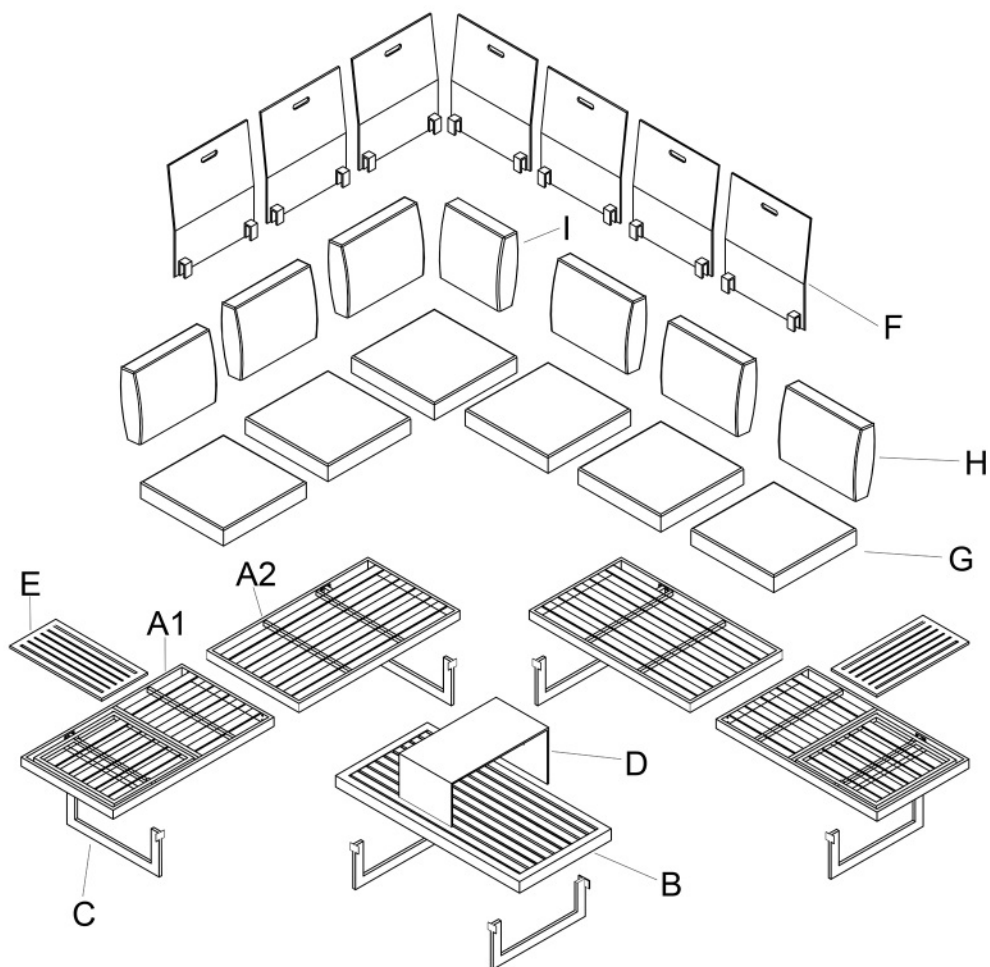
Before the Installation

1. Do not throw away packing materials until assembly is complete for small parts may come loose inside the carton during shipment. If parts are missing, please contact us.
2. Assemble this item on a soft surface, such as carpet to protect the finish.
3. Proper assembly of this item requires 2 people.
4. Periodically check to ensure that all connections are tight.
5. It is recommended that installation of the product be done by a qualified licensed furniture assembler.

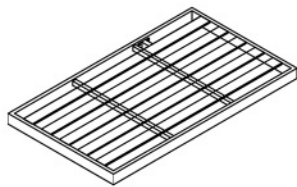
Care and Cleaning

1. To protect the finish, avoid use chemicals and household cleaners.
2. All hot serving dishes should be placed on a pad.
3. Any liquid spilled onto the top should be cleaned up immediately with a damp cloth.

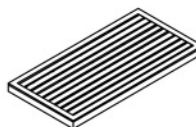
Parts List



A1x2



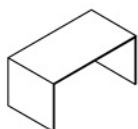
A2x2



Bx1



Cx6



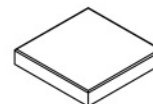
Dx1



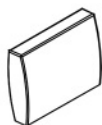
Ex2



Fx7



Gx6



Hx6



Ix1



Jx7



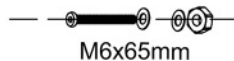
Kx2



Lx64



Mx1



M6x65mm

Nx8

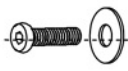


Ox1

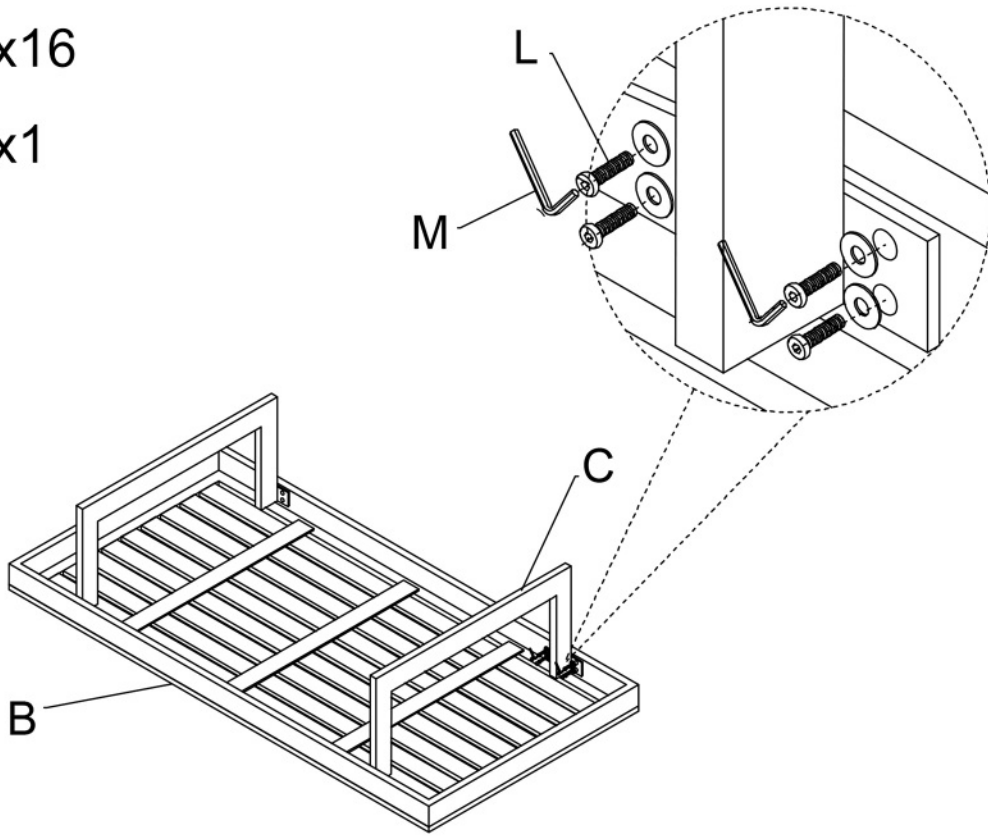


Px4

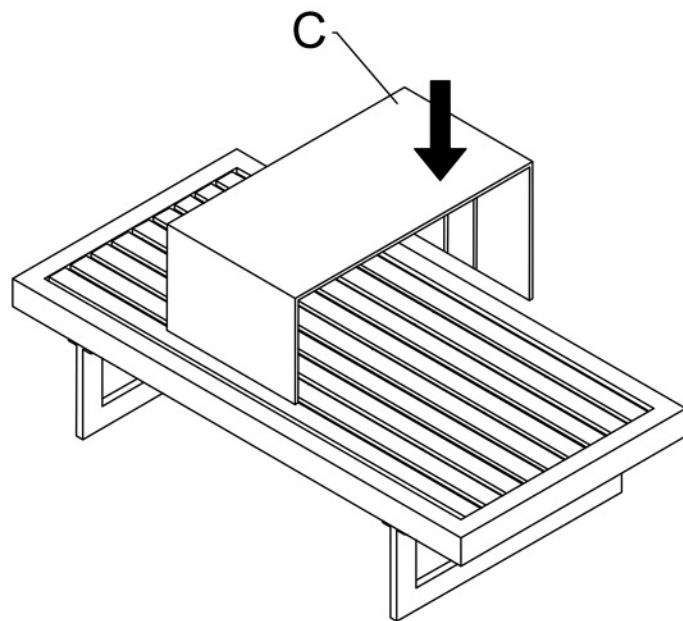
Step 1

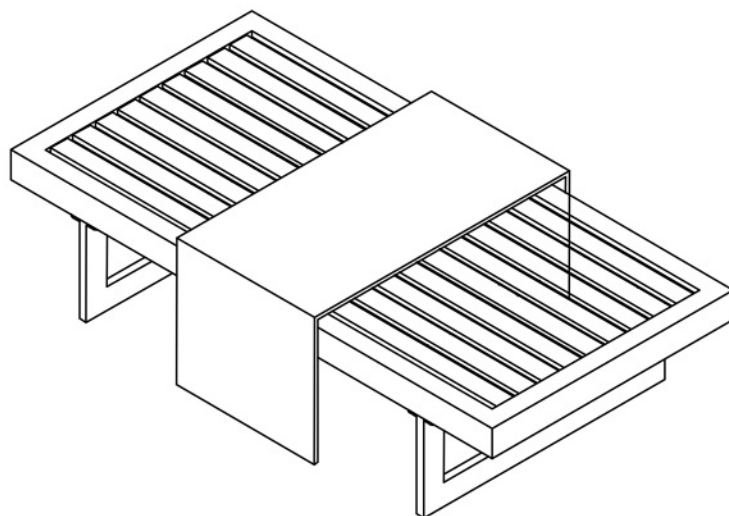
L  x16

M  x1

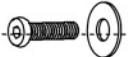


Step 2

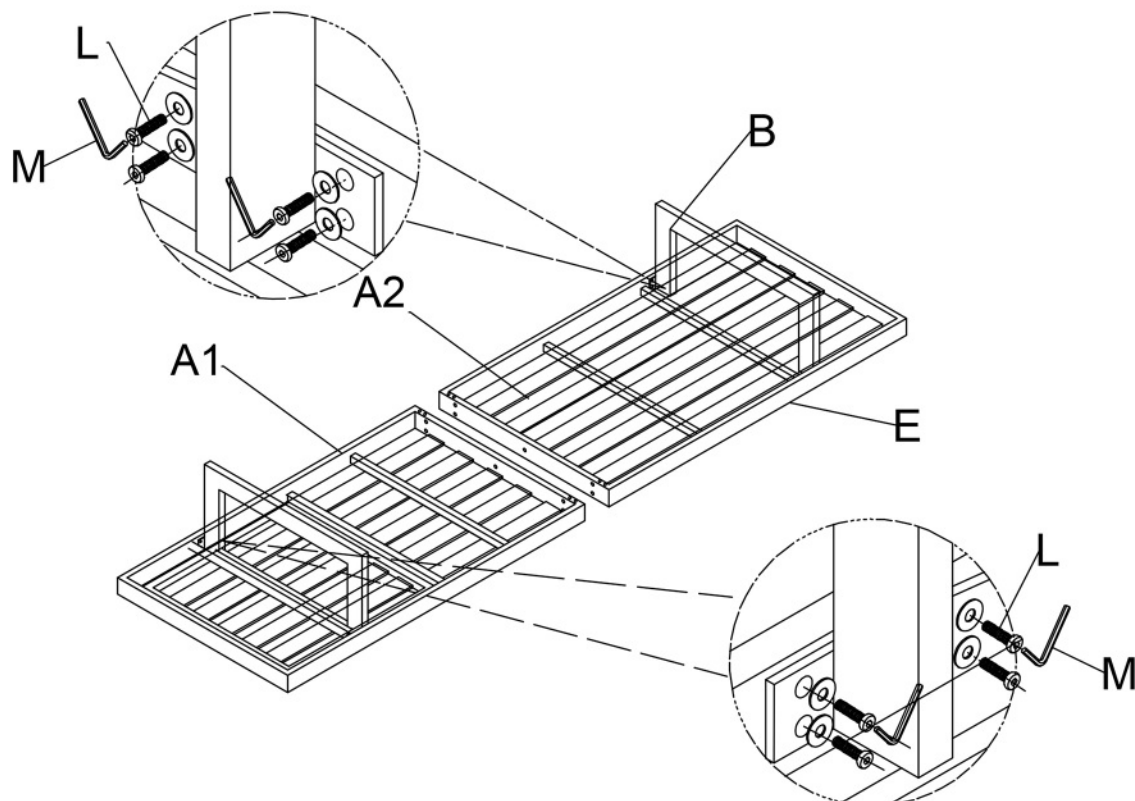




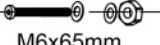
Step 4

L  x32

M  x1

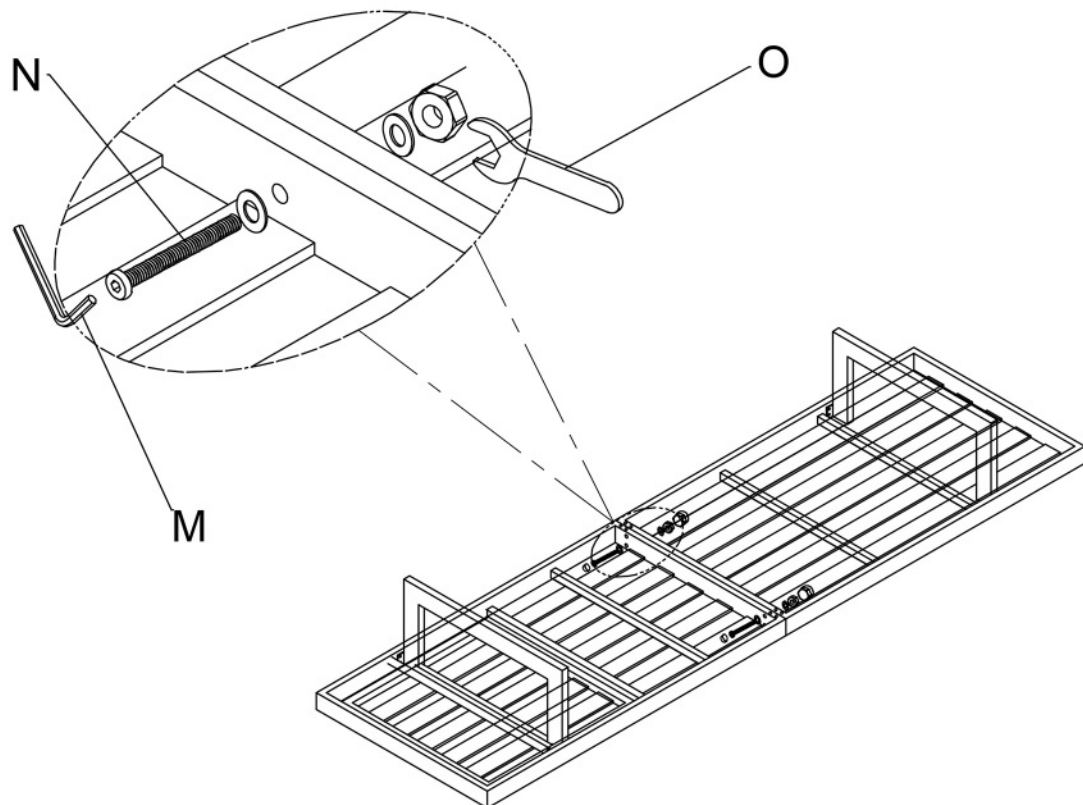


Step 5


N  x4
M6x65mm

M  x1

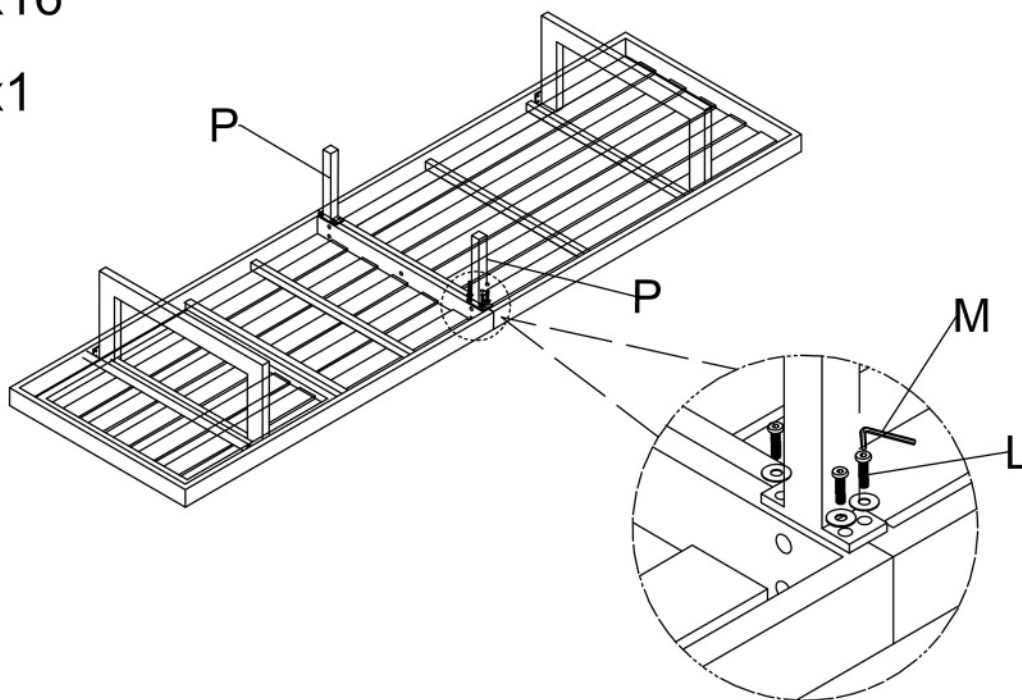
O  x1

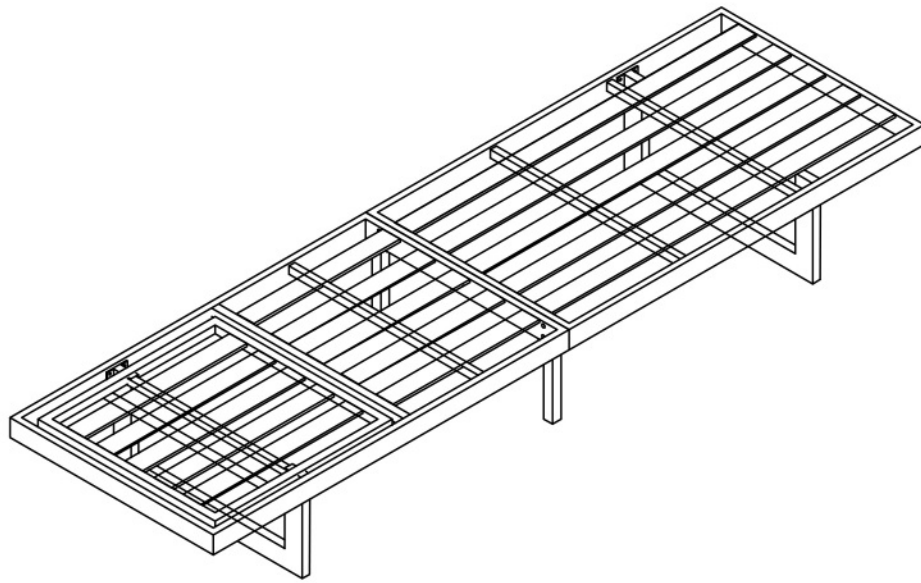


Step 6

L  x16

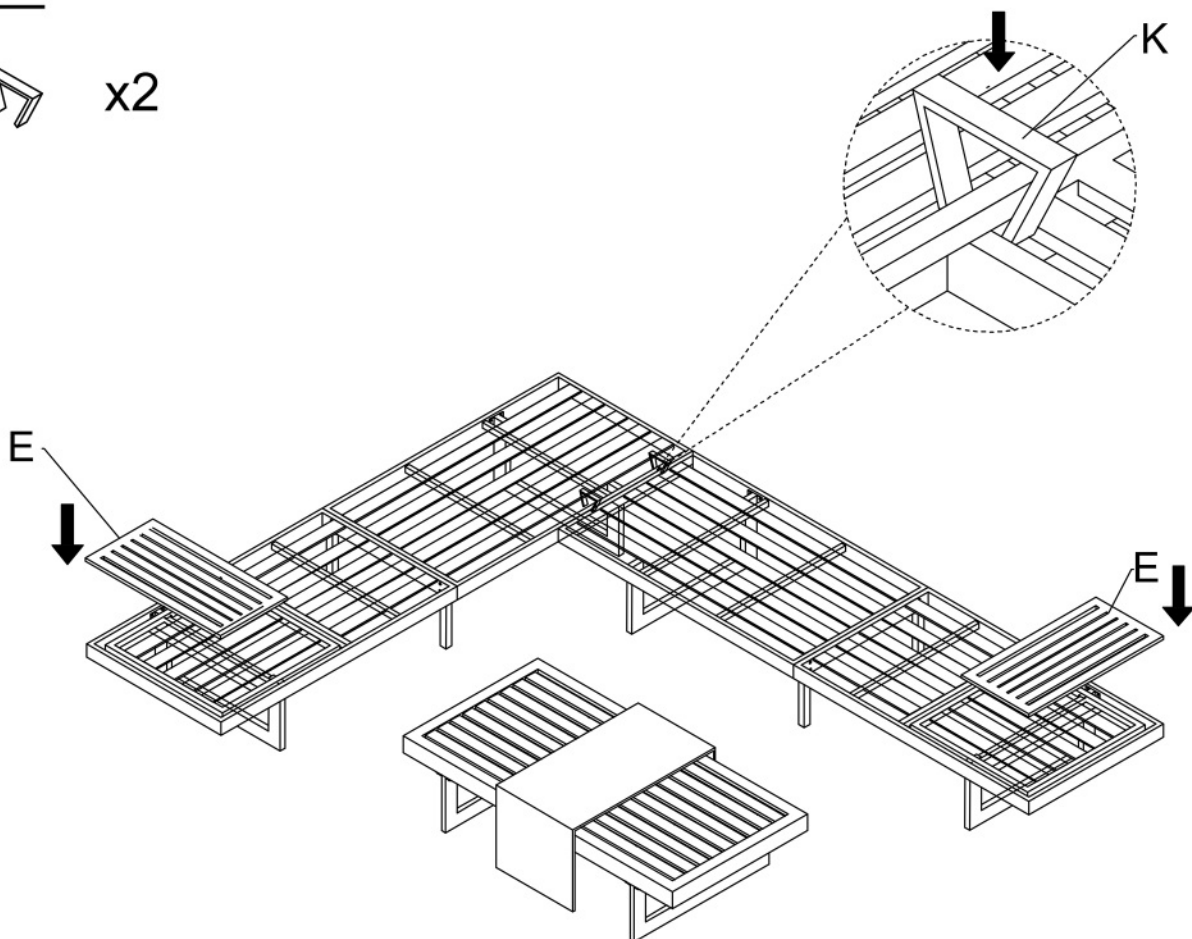
M  x1

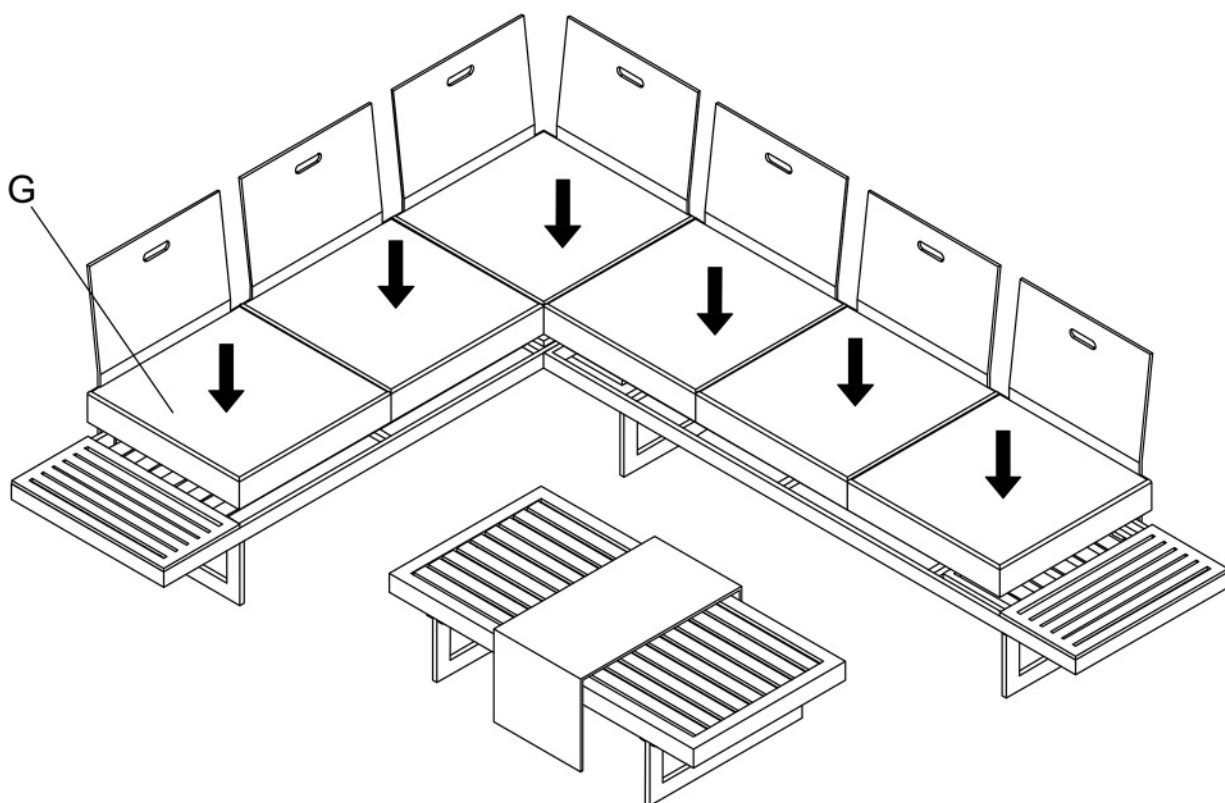
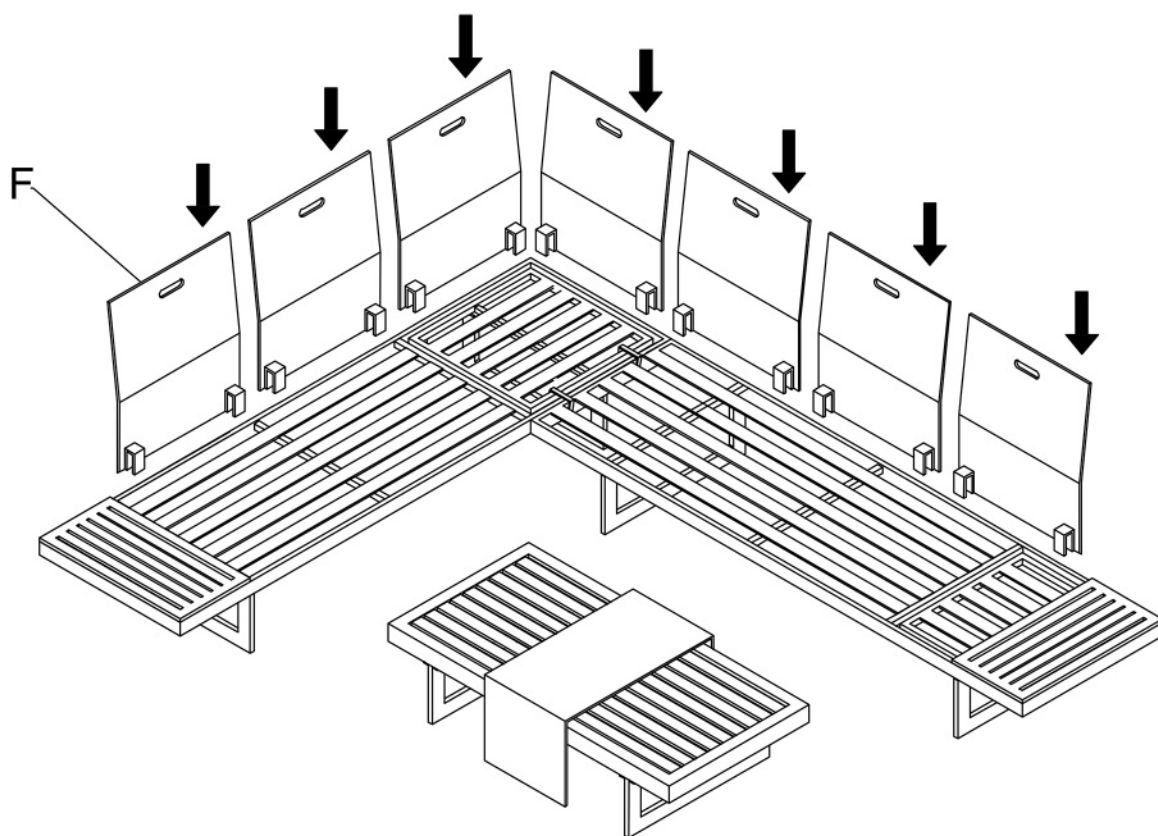




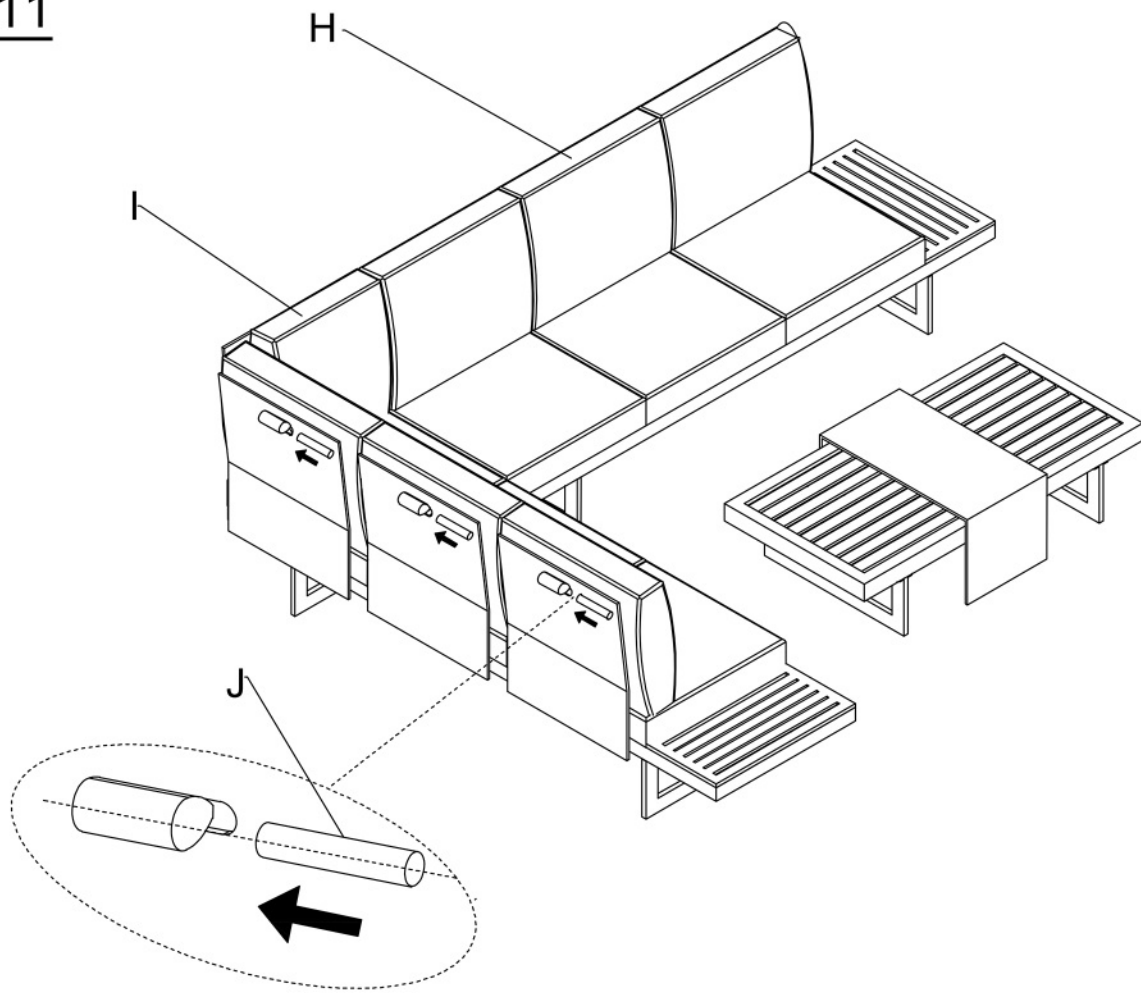
Step 8

K  x2





Step 11



Step 12

