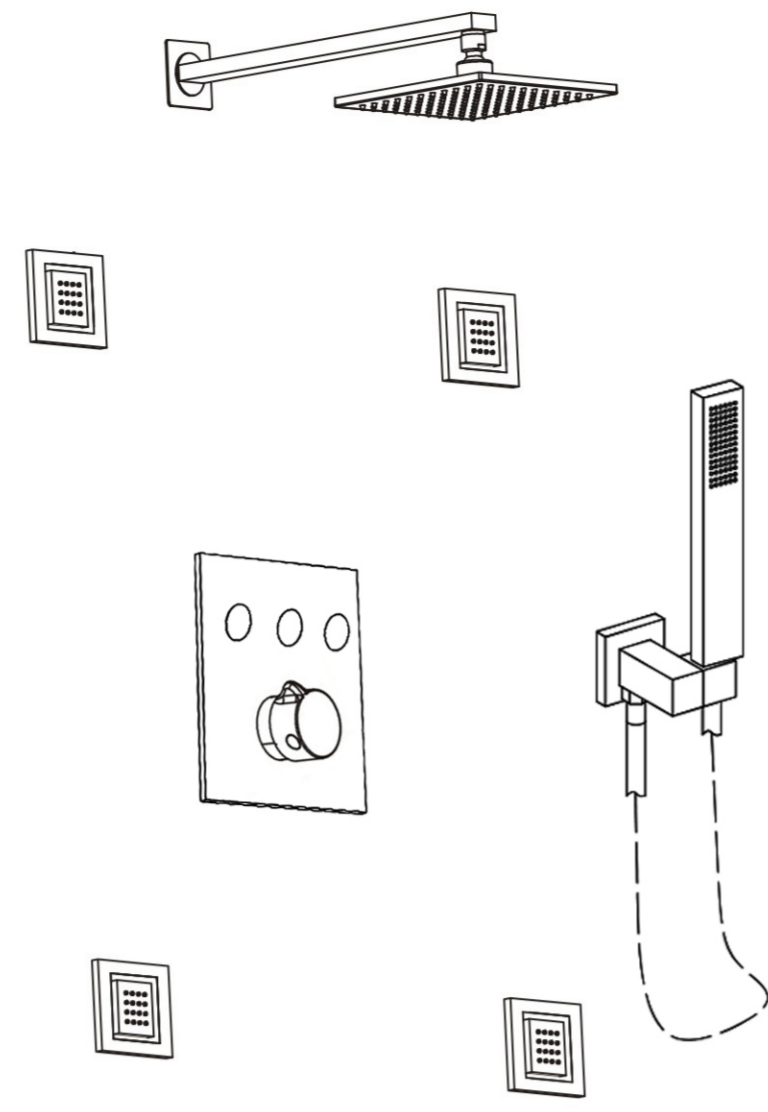
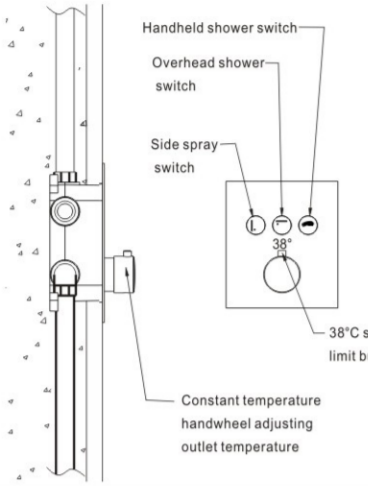


Installation Manual



Instruction

As shown in the right picture, the outlet water is independently controlled by the key switch. And the outlet temperature is adjusted by adjusting the constant temperature handwheel.

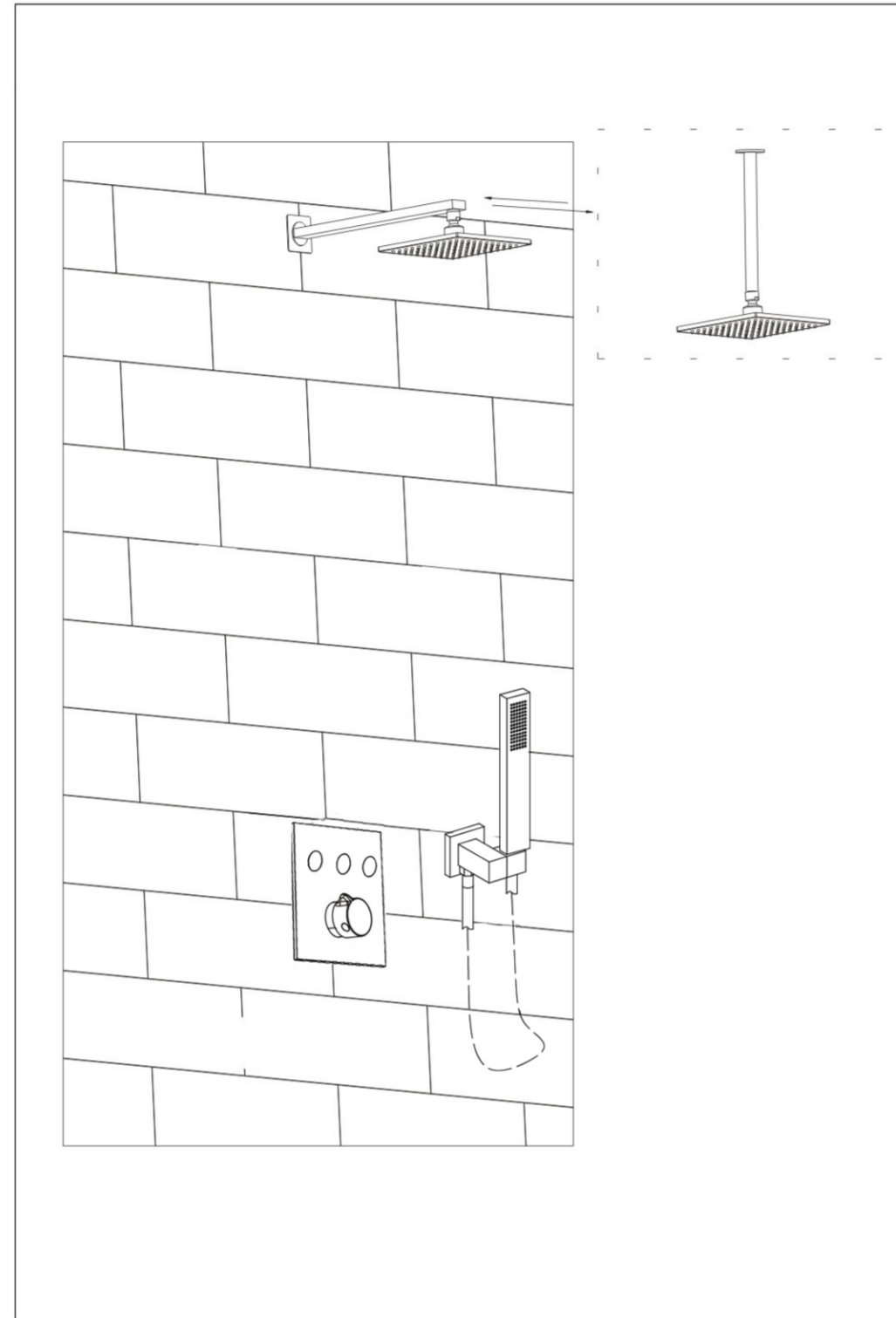
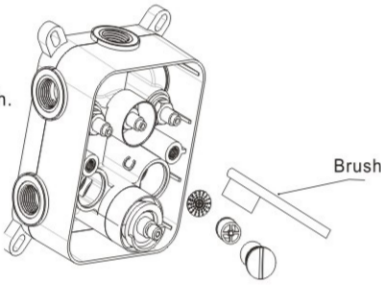


Important notice

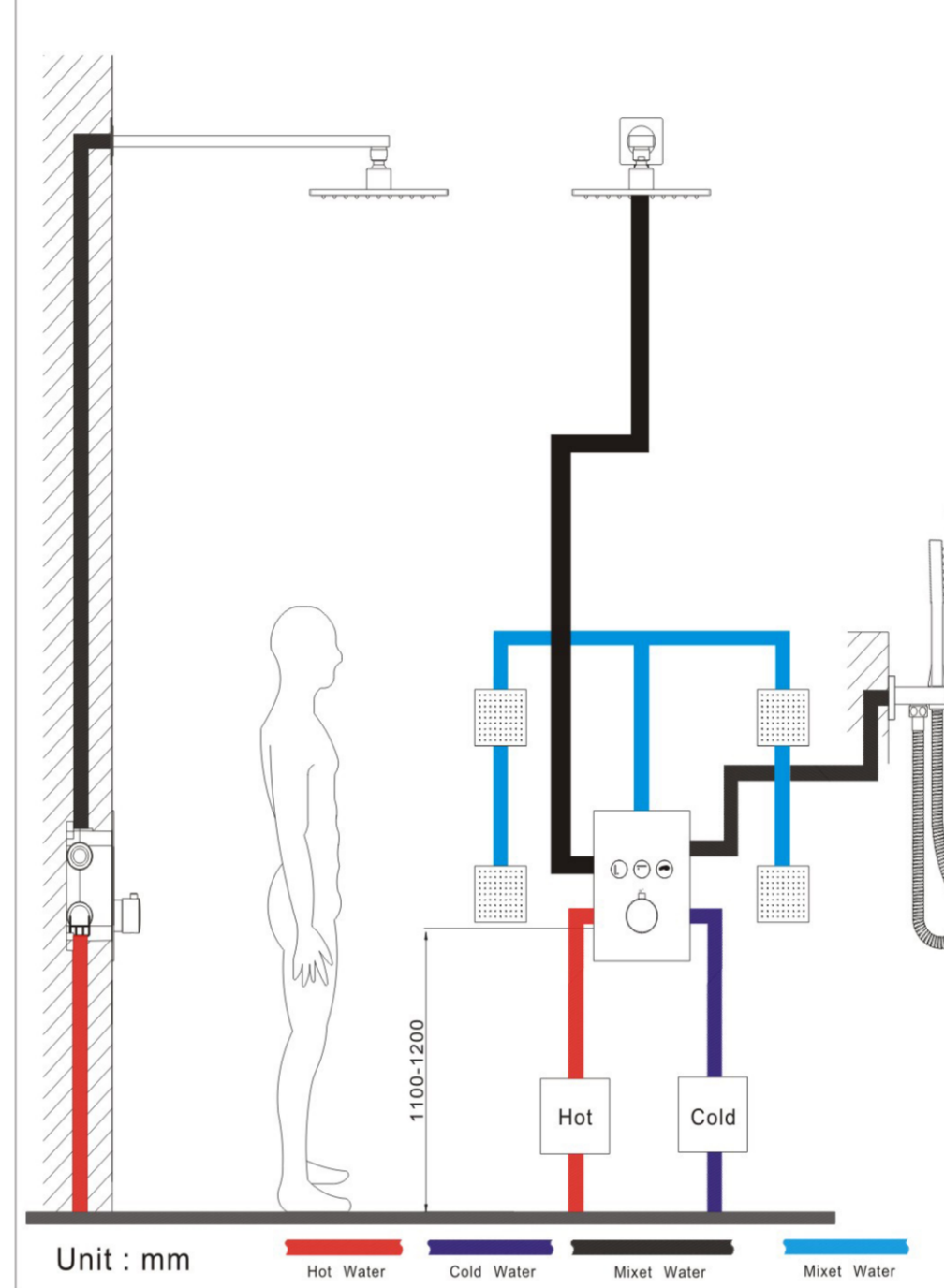
- The inside of the main valve core has been factory tested and adjusted. Please do not disassemble it yourself.
- Hot water temperature 55-80°C (recommended 65°C), cold water temperature 5-29°C (recommended 15°C)
- The side marked with "C" in the main body is cold water, and the side marked with "H" is hot water, which cannot be reversed. The water pressure at the cold and hot water inlet is not too different. (Pressure difference of ≤20% at both ends)
- The working water pressure of the valve core is 0.1-0.5MPa (including cold and hot water pressure). It is recommended to use 0.3MPa working water pressure. If the working water pressure exceeds 0.5MPa, please install the pressure reducing valve on the pipeline.
- The temperature displayed by the constant temperature handle scale is adjusted under the specific water temperature conditions of the factory. The product may be different due to the change of working water temperature, and the difference is 12°C. If the difference is large, it should be re-debugged by professional debugging personnel.

Cleaning & Maintenance

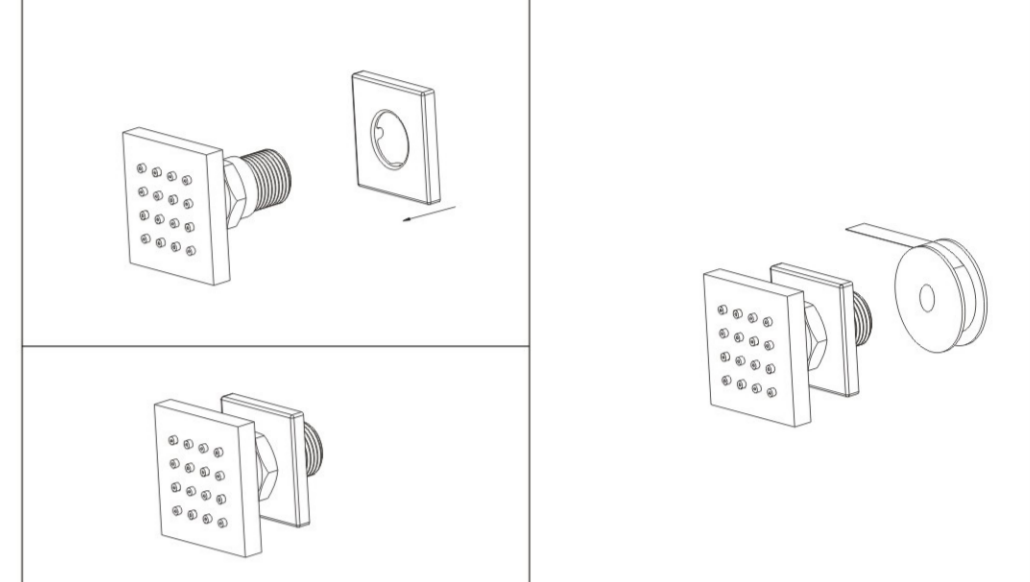
- To keep the product clean & shining, please wash frequently.
 - When first use, flush with clean water, then dry with soft cotton cloth.
 - Do not use any scrubbing detergent, sand-cloth and sandpaper.
 - Do not use any acid detergent, polisher, soap, rough detergent, polishing fluid with wear effect.
- When the amount of water is reduced or the temperature is not adjusted, please remove the impurities on the filter screen as follows: (as shown in the figure)
 - Use tools to disassemble the water inlet accessories on both sides of the body Group.
 - Brush wash and stop the impurities attached to the filter screen on the inlet seat Group.
 - Reinstall the accessories in order, and then open the cold and hot water supply water source on the body Group.



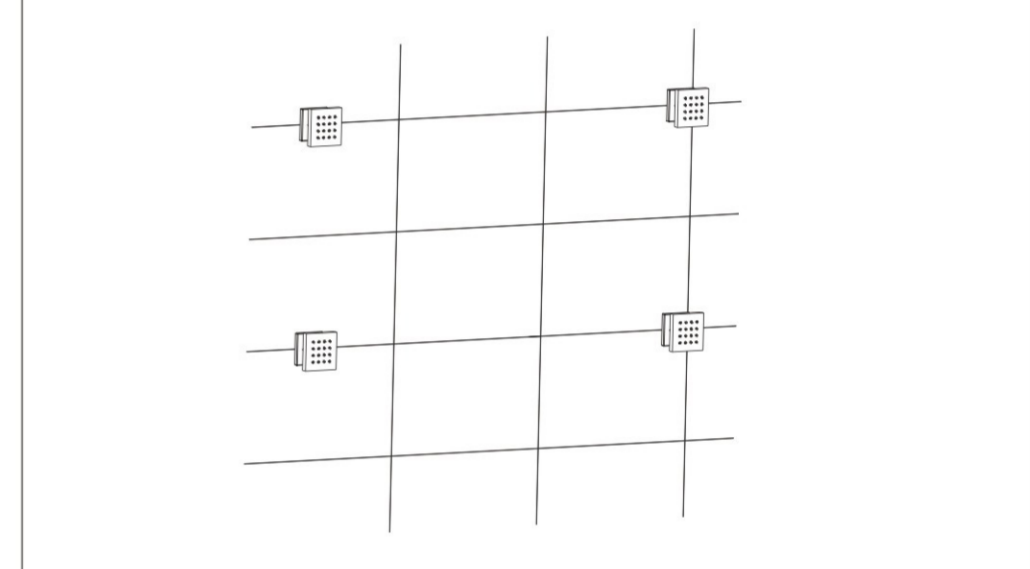
Pipeline schematic



(Install side spray)

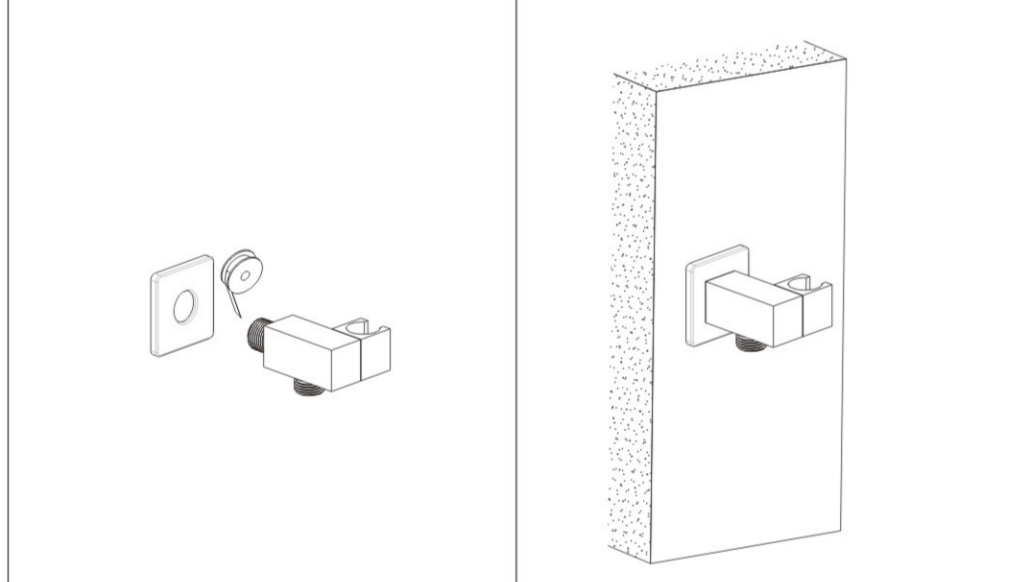


- Set the decorative cup on the nozzle.
- Roll the raw material on the thread of the nozzle.

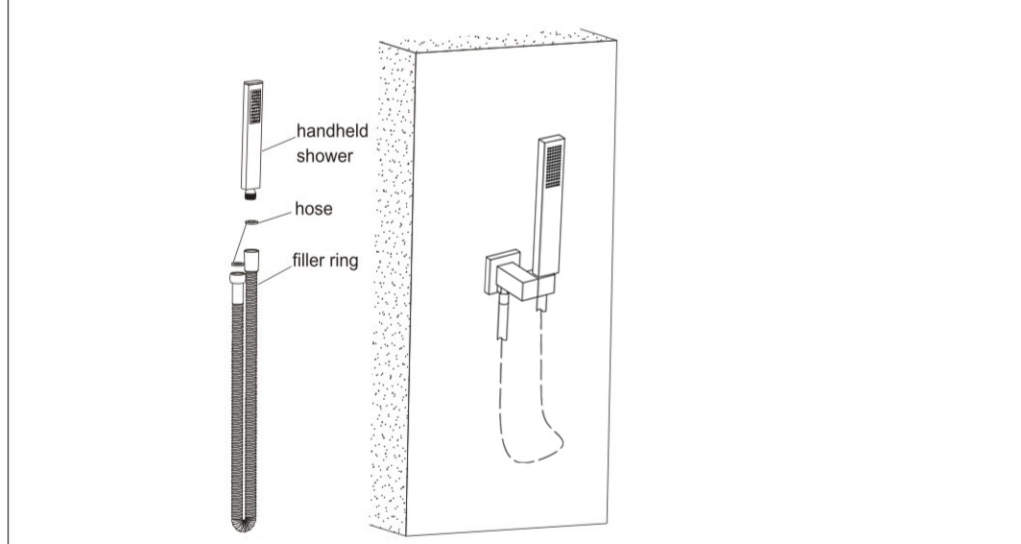


- Tighten the six nozzles clockwise on the outlet hole of the nozzle by hand.

(Install shower seat)

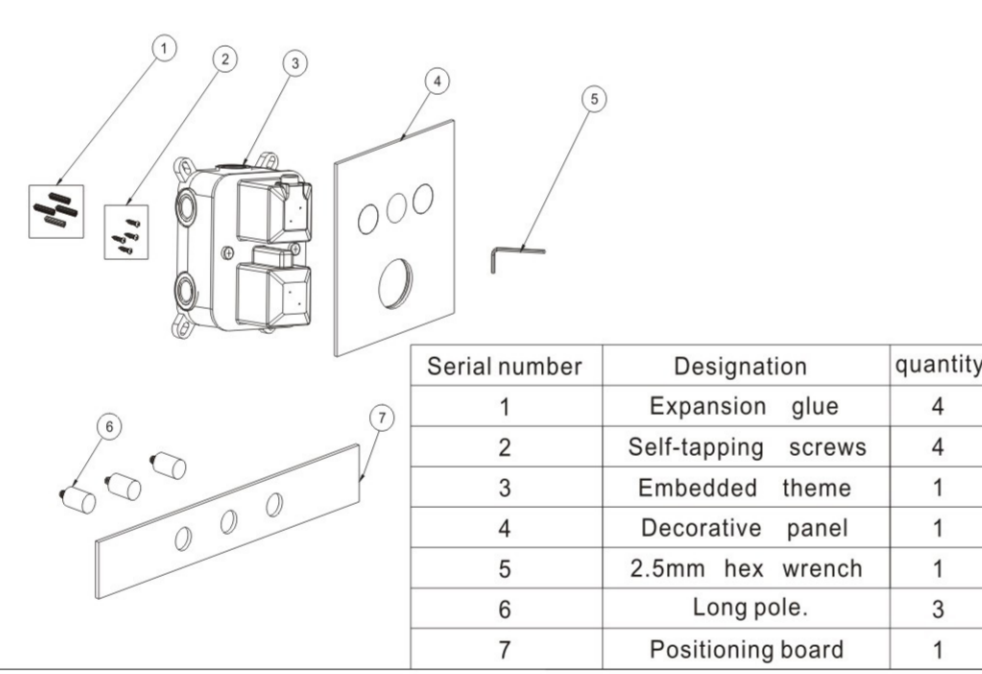


- Roll the raw material on the thread of the shower seat.
- Tighten the shower seat clockwise on the outlet hole of the outlet socket.

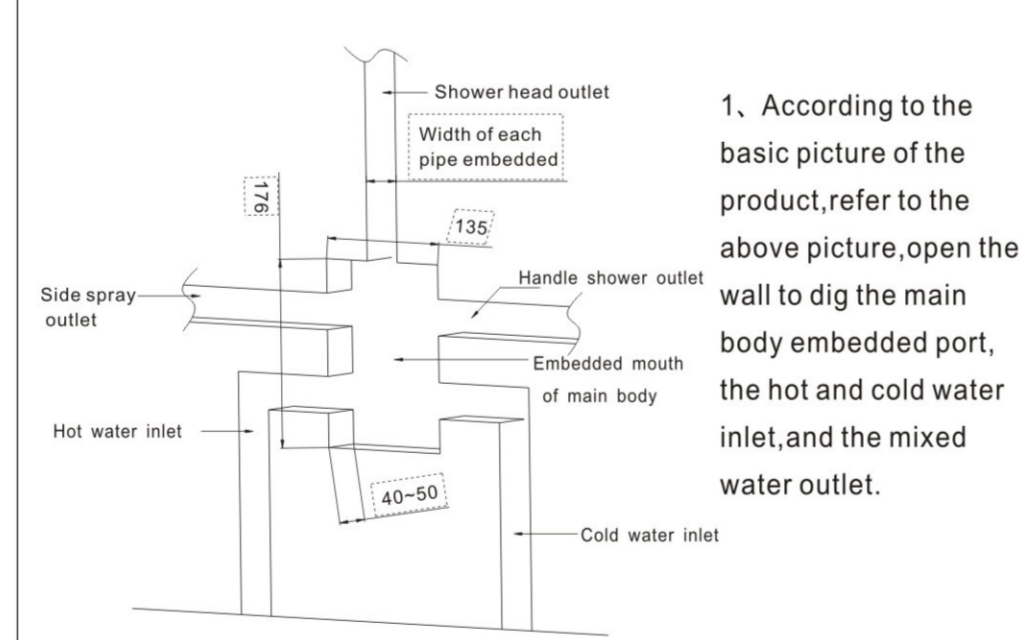


- Connect the shower tube with the water joint of the shower seat, and insert the hand shower on the shower seat.

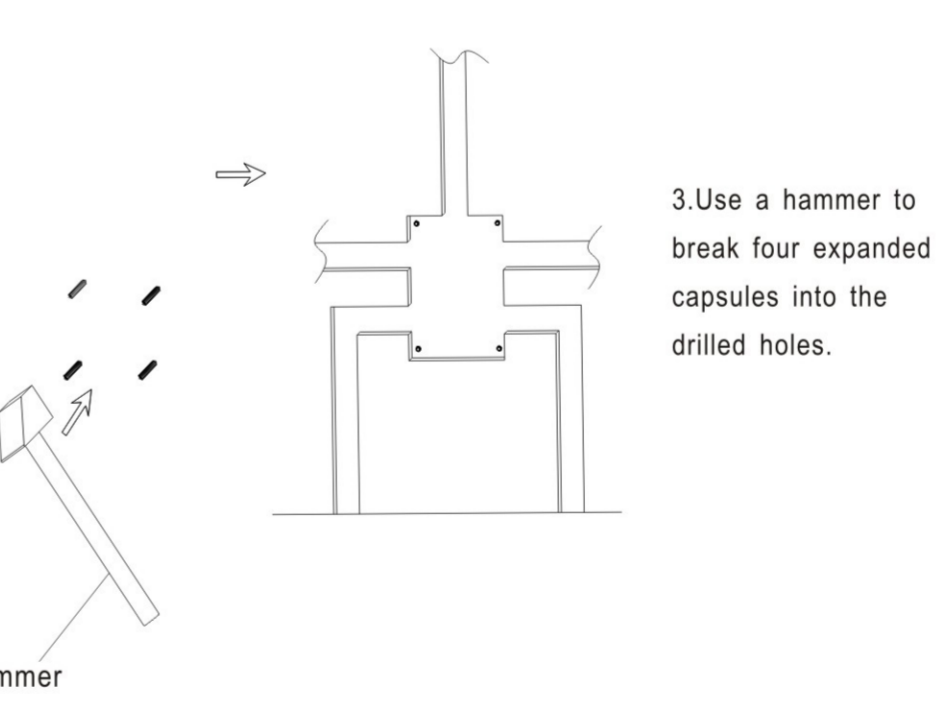
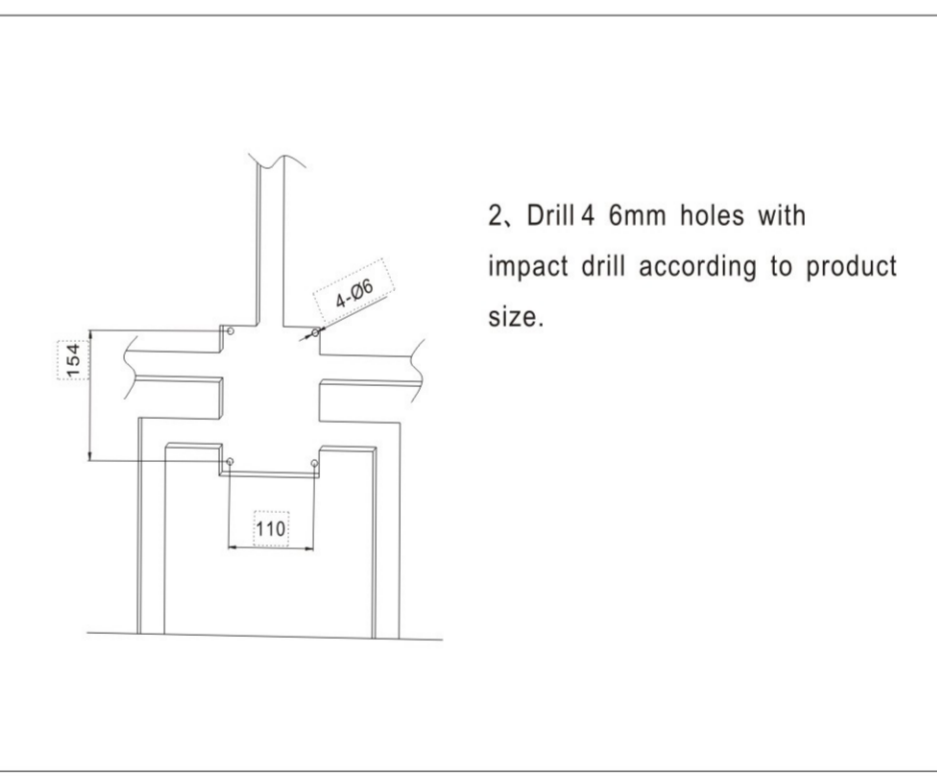
Accessories list



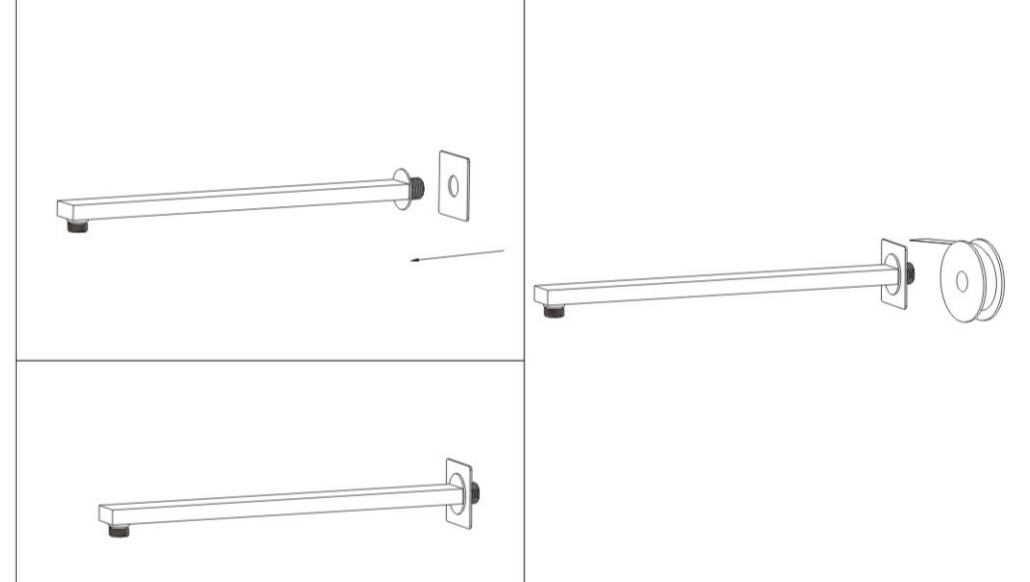
Installation Steps



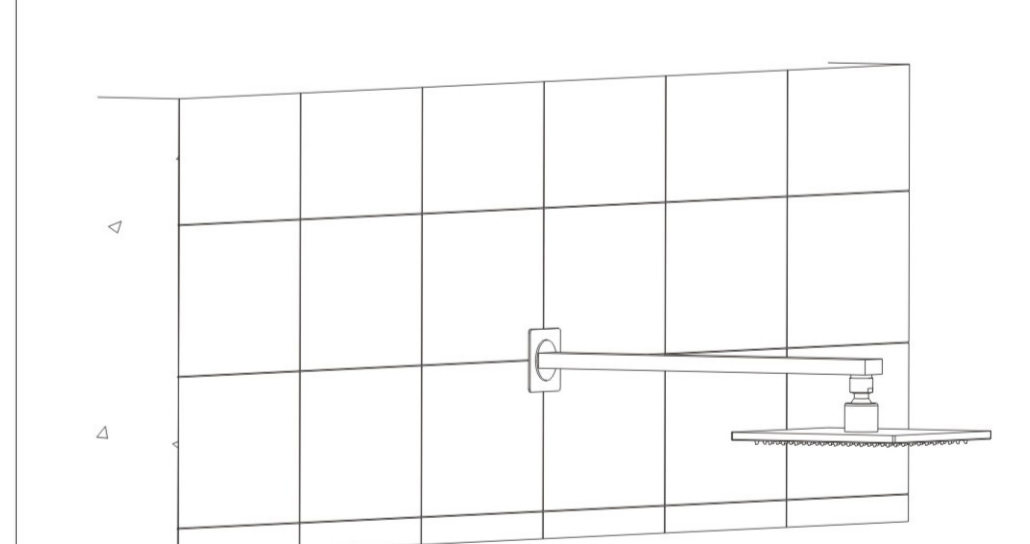
- According to the basic picture of the product, refer to the above picture, open the wall to dig the main body embedded port, the hot and cold water inlet, and the mixed water outlet.



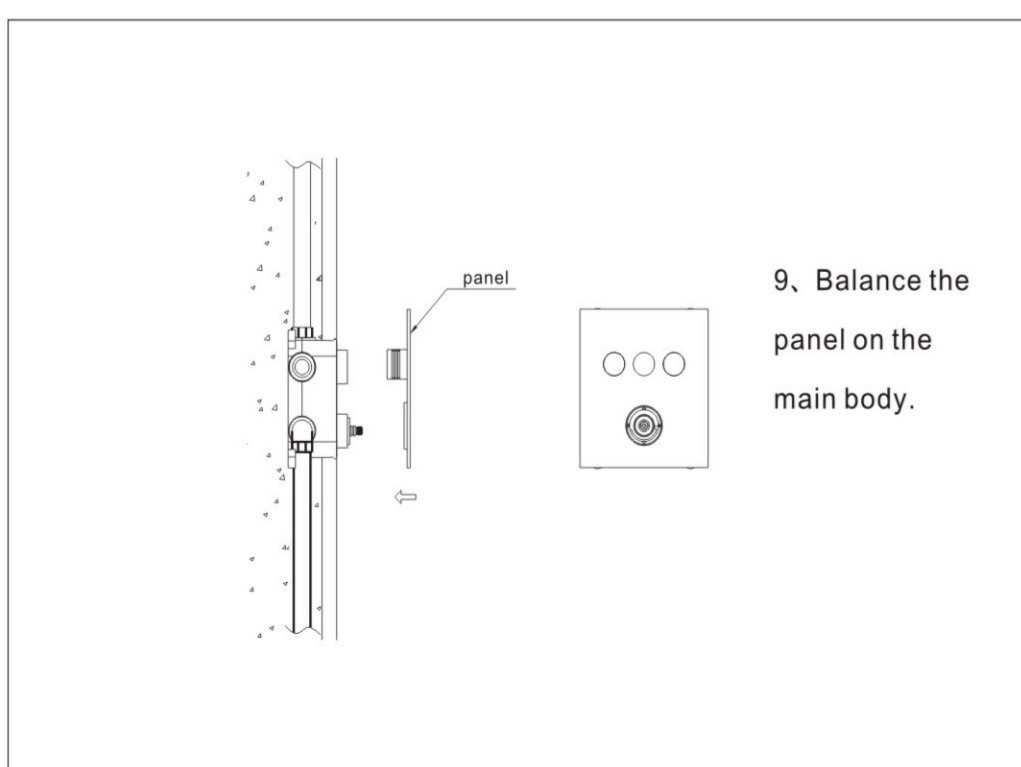
(Install shower arm and overhead shower)



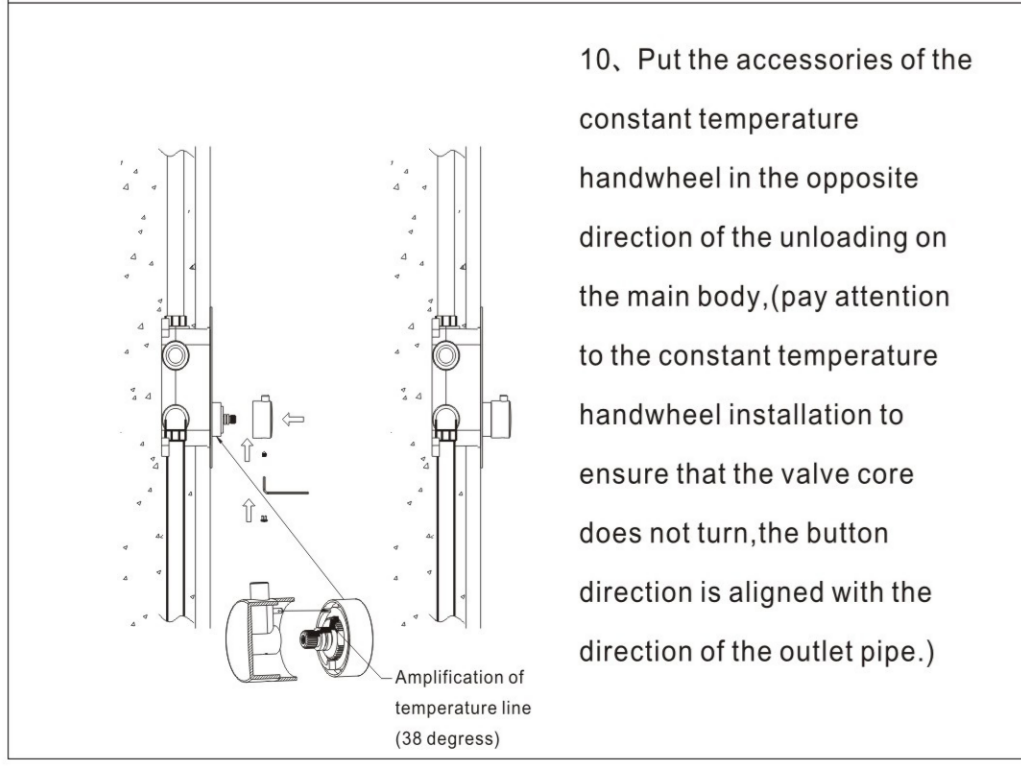
- Set the decorative Cup on the shower arm.



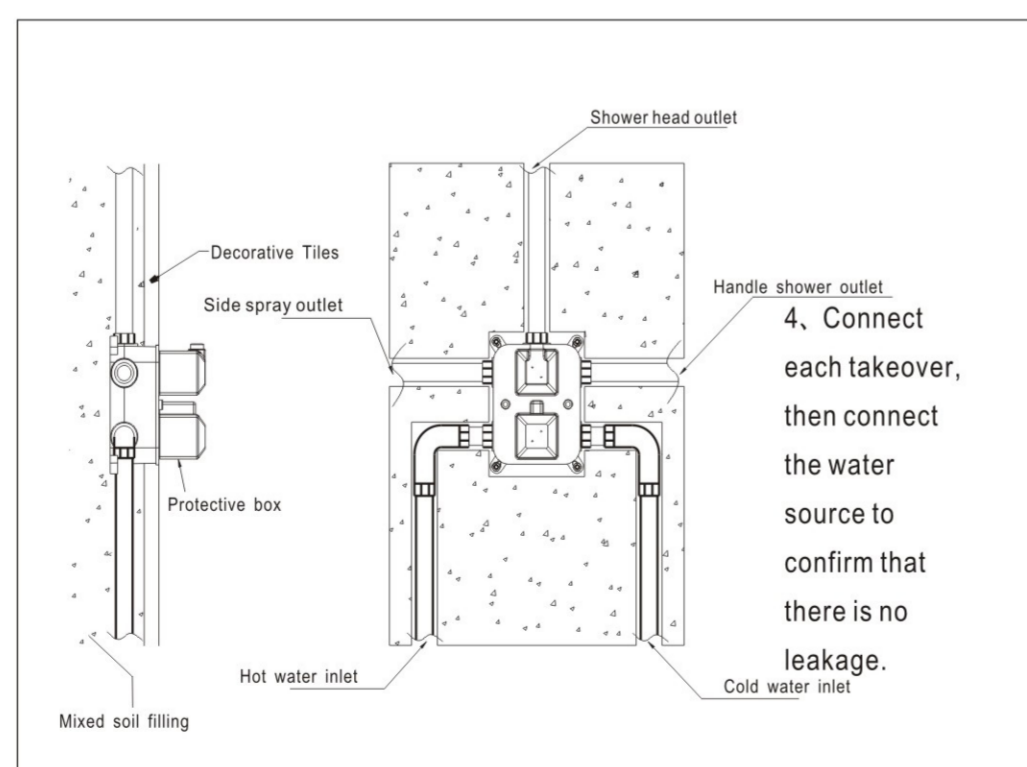
- Tighten the shower arm clockwise on the water outlet hole of the shower arm. Then put the overhead shower on the shower arm.



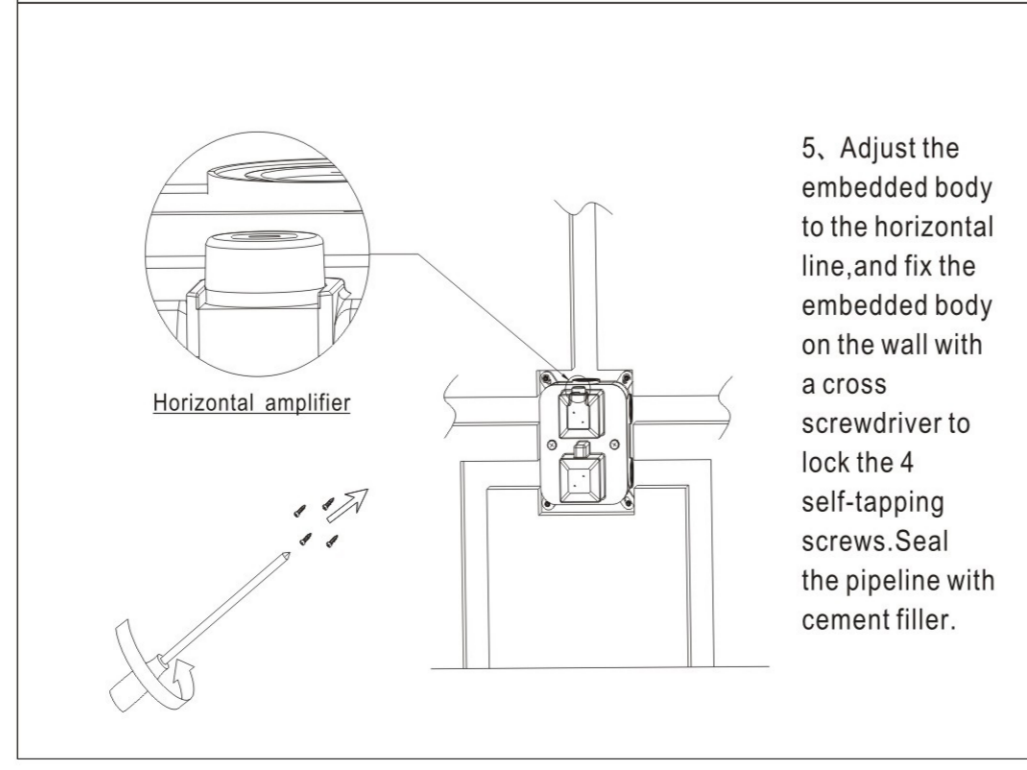
- Balance the panel on the main body.



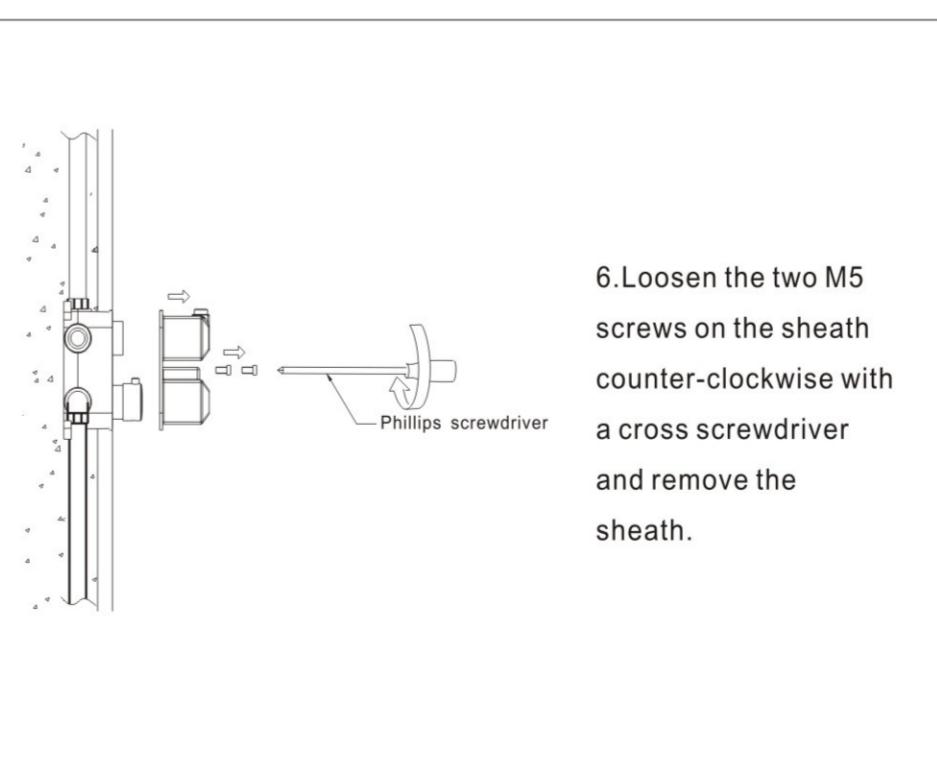
- Put the accessories of the constant temperature handwheel in the opposite direction of the unloading on the main body. (pay attention to the constant temperature handwheel installation to ensure that the valve core does not turn, the button direction is aligned with the direction of the outlet pipe.)



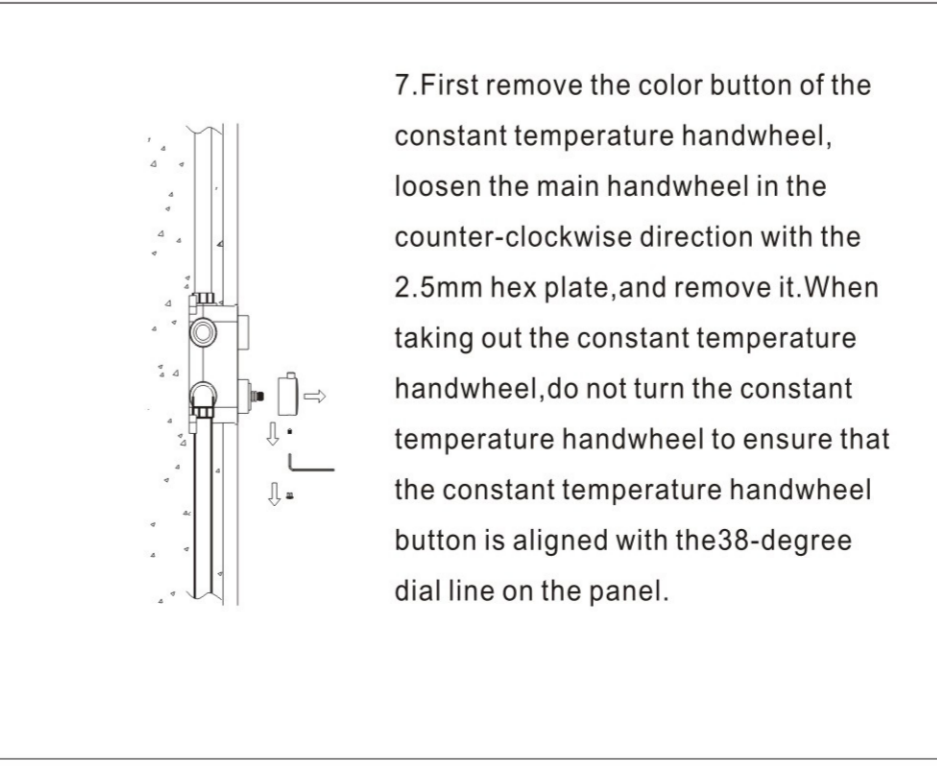
- Connect each takeover, then connect the water source to confirm that there is no leakage.



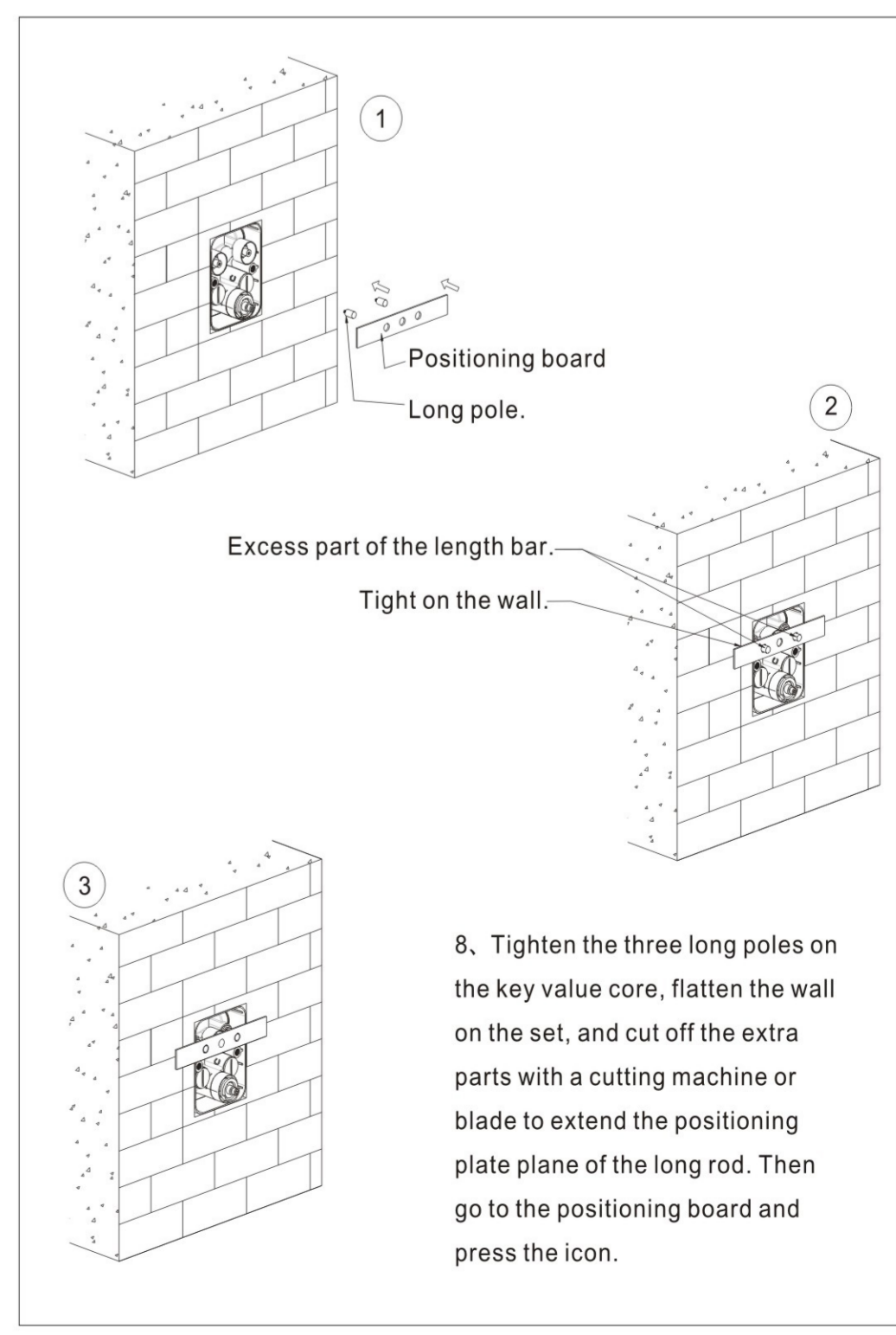
- Adjust the embedded body to the horizontal line, and fix the embedded body on the wall with a cross screwdriver to lock the 4 self-tapping screws. Seal the pipeline with cement filler.



- Loosen the two M5 screws on the sheath counter-clockwise with a cross screwdriver and remove the sheath.



- First remove the color button of the constant temperature handwheel, loosen the main handwheel in the counter-clockwise direction with the 2.5mm hex plate, and remove it. When taking out the constant temperature handwheel, do not turn the constant temperature handwheel to ensure that the constant temperature handwheel button is aligned with the 38-degree dial line on the panel.



- Tighten the three long poles on the key value core, flatten the wall on the set, and cut off the extra parts with a cutting machine or blade to extend the positioning plate plane of the long rod. Then go to the positioning board and press the icon.