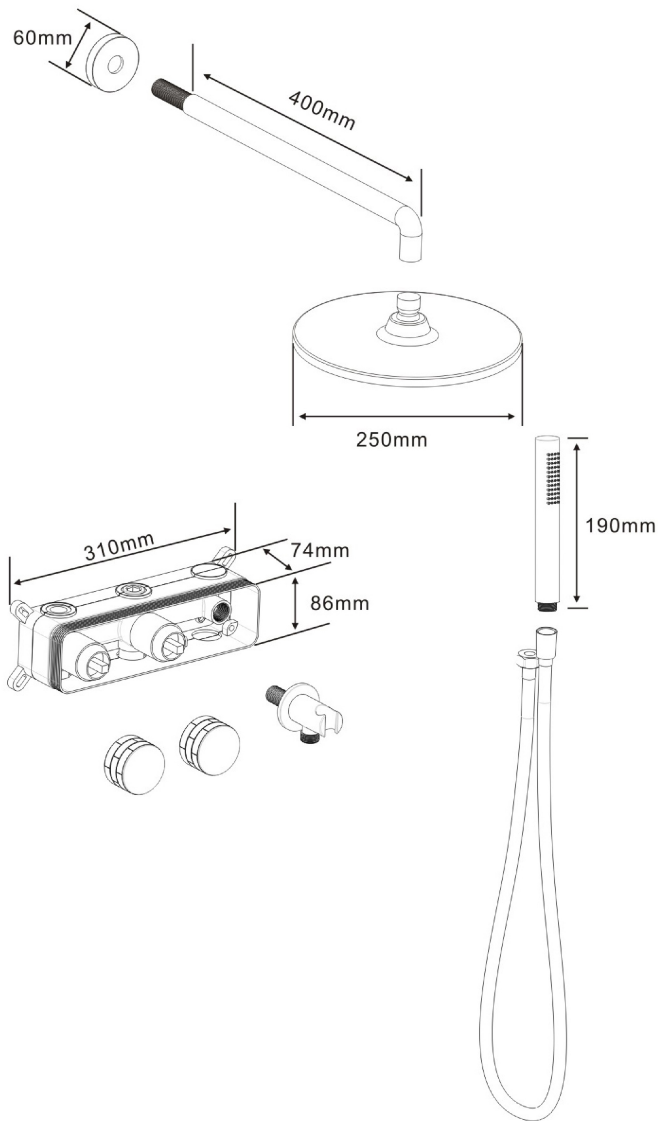


IN-WALL SHOWER SET INSTRUCTION



PRODUCT SEPCIFICATION



REMARK: DIMENSIONS ARE MEASURED MANUALLY, ERROR +1CM EXISTS, SUBJECT TO THE METARIL OBJECT.

PRODUCT NAME: IN-WALL BATHTUB SHOWER SET INSTALLATION REQUIRMENT: PRE-BURIED BEFORE

MATERIAL: BRASS

INSTALLATION : WALL TYPE

VALVE: CERAMICE VALVE

CONCEAL BOX TO TILE DEPTH: SUGGESTED 74-84MM

IN-WALL SHOWER SET

INSTALLATION TIME: BEFORE

THE DISTANCE FROM CONCEAL BOX TO CERAMIC TILE : 74-84 MM

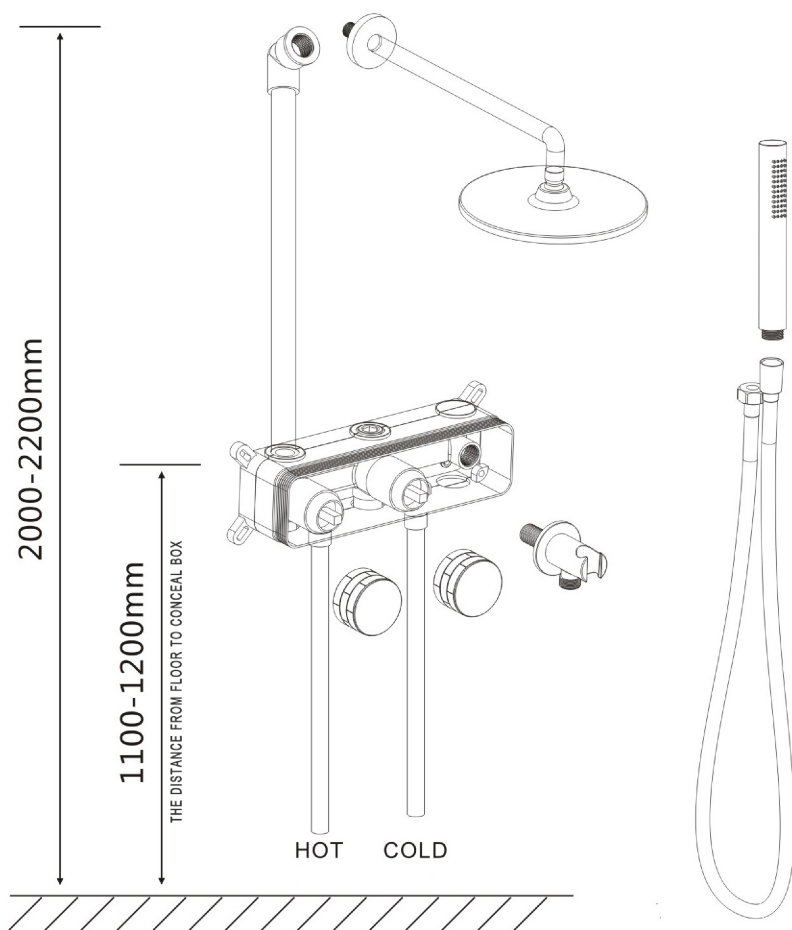
TEST WATER PRESURE REQUIRMENT: 10KG (1.0 Mpa)

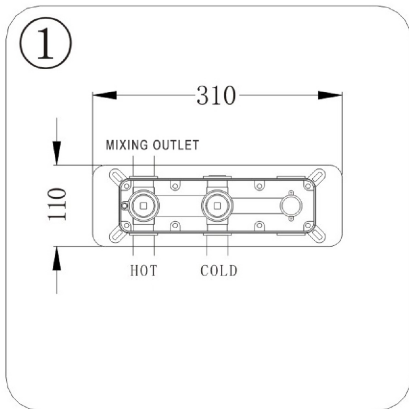
PPR PIPE REQUIRMENT: DN15 INLET PIPE AND DN15 OUTLET PIPE
(WATER PIPE CAN BE USED DN15 OR DN20 BY YOURSELF)

WATER PRESURE REQUIRMENT: $\geq 2.5\text{KG}$ (0.25Mpa)

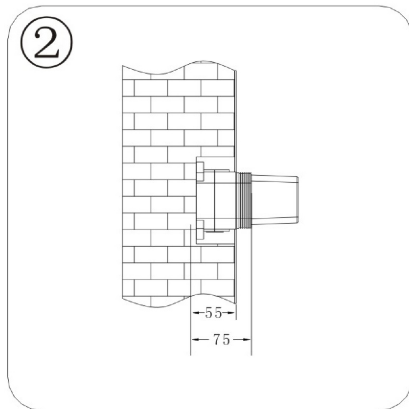
APPLICABLE TO :

GAS WATER HEATER, ELECTRIC STORAGE WATER HEATER, AIR
SOURCE WATER HEATER, SOLAR WATER HEATER ECT.

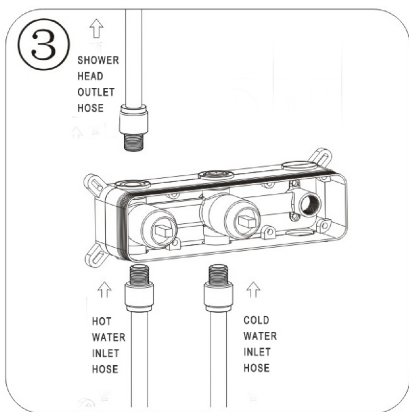




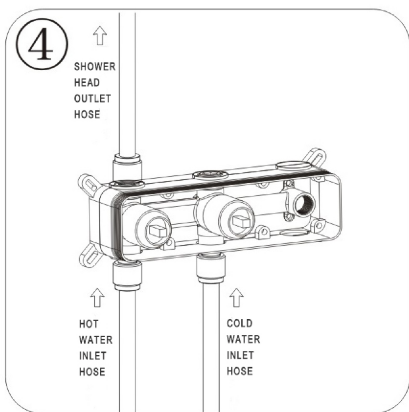
CONCEAL BOX SIZE IS 310X110MM,
A DEPTH OF 55MM IS OPTIMAL.



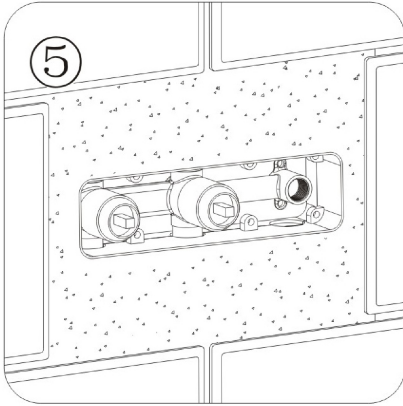
IT IS BEST TO KEEP THE WALL TILE SURFACE
ON THE BULE CUT LINE, AND THE UPPER PART
CAN BE CUT.



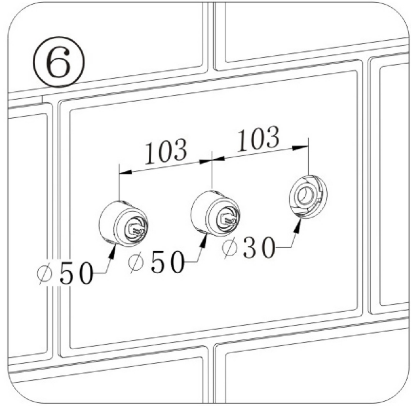
AS PICTURE SHOWN, PAY ATTENTION TO THE
DIRECTION OF THE CONCEAL BOX, CONNECT
THE PIPE AS REQUIREMNET.



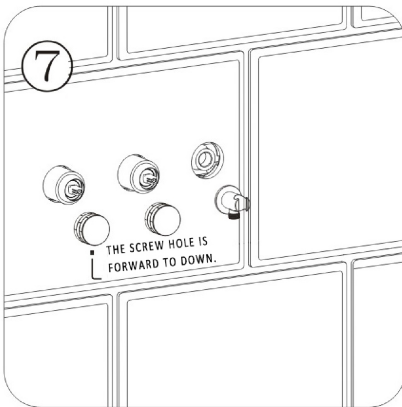
AFTER CONNECTING THE PIPES, TURN
ON THE WATER TO TEST THE PIPE FOR
LEAKS.(24 HOURS FOR TESTING
PERIOD)



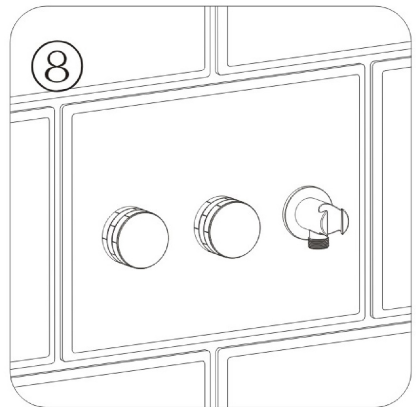
DOUBLE CHECK PIPE CONNECTION, NO LEAKING IN WATER TEST AND OTHER CONCEAL PARTS ARE INSTALLED FINISHED. THEN, CONCEAL BOX AND PIPES ARE SEALED AND FIEXD WITH FILLER.



THE SIZE OF CIRAMIC TILE APERTURE IS AS SHOWN.



WHEN THE TILE IS IN PLACE, USING SCREW TO FIX HANDLES AND TIGHTING THE SHOWER HOLDER WITH RAW TAPE.



USING SOFT COTH TO CLEAN THE SURFACE OF FAUCET AFTER ALL COMPONENTS ARE INSTALLED. FINALLY, WE CAN ENJOY THE SHOWER.