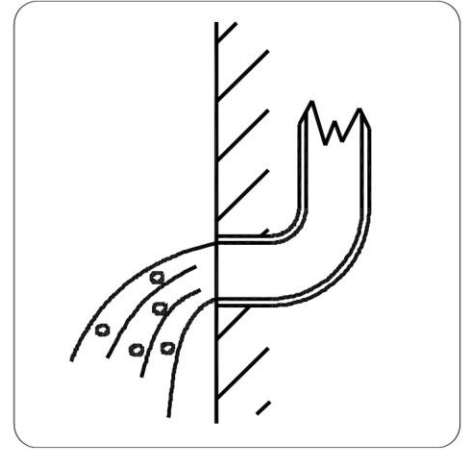


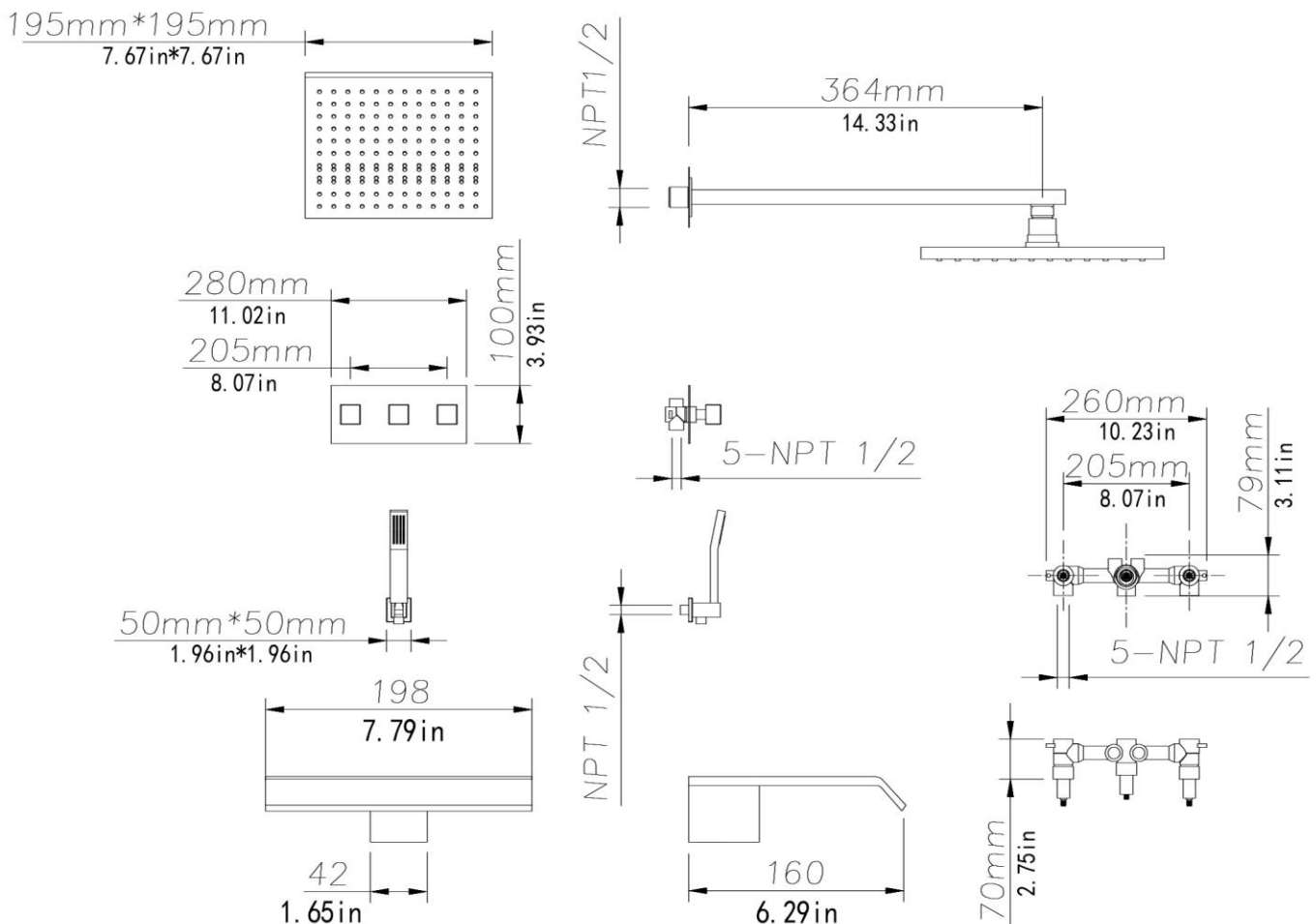
Installation Steps

Installation Precautions

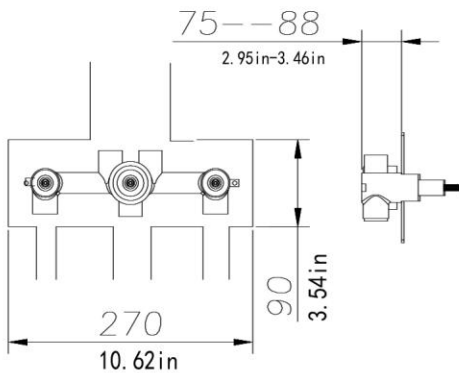
- 1、 The valve body has been inspected and debugged by the factory. Please do not disassemble it, so as not to affect the performance.
- 2、 Before installing the faucet, please remove impurities and sludge in the embedded pipe to prevent blockage and affect the performance.
- 3、 After installation, please open the water source and check whether the connections are tight enough to ensure no leakage.
- 4、 The medium temperature should not be greater than 90 degrees Celsius.
- 5、 The torsion of the nut joint shall not be greater than 10Nm.



Product Size Chart

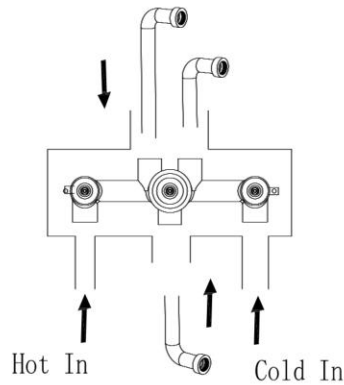


Installation Steps

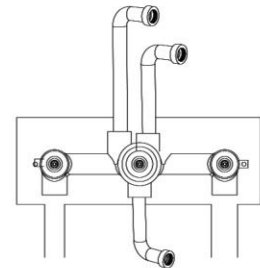


1. The valve body excavates hole size.

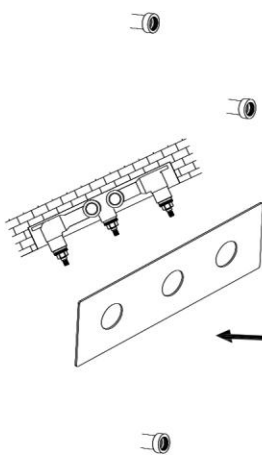
L270 * H90 * D75-88 mm (L10.62 * H3.54 * D2.95-3.46 IN)



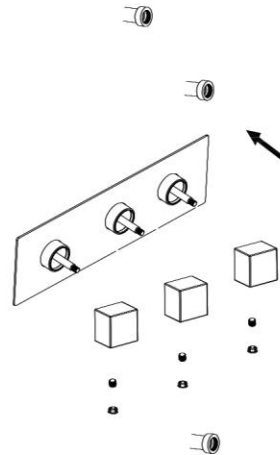
2. Turn off the main switch, adjust the cold and hot water inlet interface and the upper and lower water outlet interface, and use screws to fix the valve body in the wall.



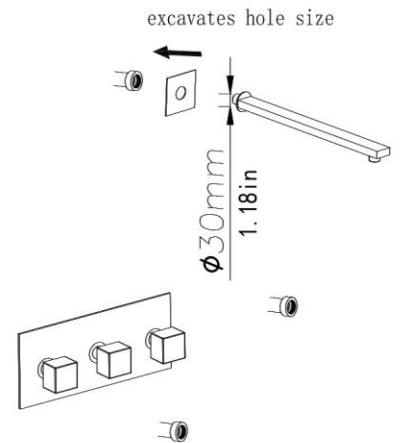
3. The installation in the wall is completed and the switch is opened for sealing test.



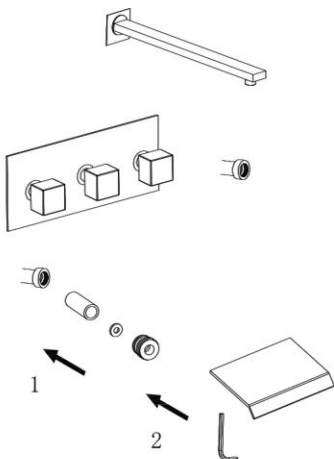
4. Installation panel: the valve body is fixed, and the panel is covered on the valve body.



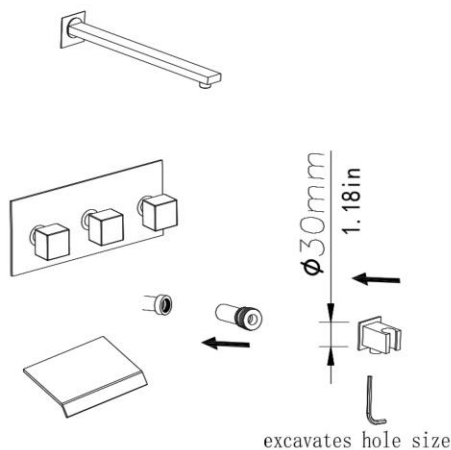
5. Install handle: put two handles on top and lock with hexagonal wrench.



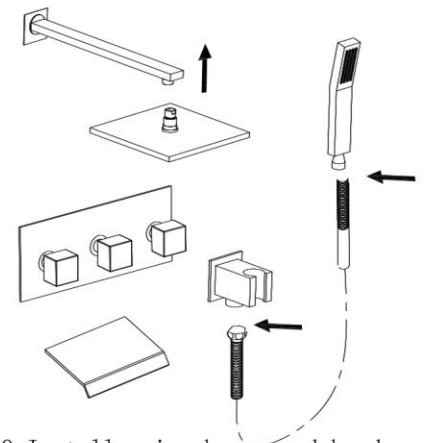
6. Install the upper outlet pipe: connect the valve body outlet of the connecting pipe to the shower arm interface.



7. Install the spout part: use the connecting pipe to connect the left outlet of the valve body to the interface of the spout.



8. Install the lower water outlet part: use the connecting pipe connecting the valve body of the outlet to the lower interface.



9. Install rain shower and hand shower: install the rain shower on the shower arm and the hose connect to the lower water outlet and hand shower.